

Truck8x4 with Lowloader

(cabin)



Building instructions, part 1



EXAMPLE

These building instructions are for personal usage and may not commercially used and/or sold. LEGO is a trademark of the LEGO group of companies which does not sponsor, authorize or endorse these building instructions. Copyright design: Han Crielaard, year 2010, www.designer-han.nl



Information

Truck 8x4 with detachable gooseneck lowloader (Remote Controlled or Manual)

Dimensions	# Parts	Length	Width	Height	Weight
• Total combination:	3.747	130 cm	16 cm	21 cm	4,7 kg (incl. Batteries)
• Truck:	2.052	45 cm	14,5 cm	21 cm	2,3 kg (incl. Batteries)
• Lowloader with Gooseneck:	1.695	102 cm	16 – 19 cm	16 cm	2,4 kg
• Loading deck capacity:	-	42 cm	16 – 19 cm	-	3 kg

Technic functions

- 4 axle truck with 1st and 2nd axle steered, headlights equipped with LED's (power functions),
- Working V8 engine with fan, interconnected with differential units on 3rd and 4th axle (both twin-wheels),
- Remote controlled steering and driving (power functions); easily changeable to manual operation,
- Gooseneck pneumatic circuit can lift 3 kg load, enough for carrying 8275 Bulldozer or 8043 Excavator,
- Loading deck width extendable at both sides with 1,5 cm by applying 'deck-extendors',
- Separated pneumatic circuit for lifting the gooseneck when disconnected from the lowloader,
- Pneumatic Pressure Gauge - Manometer (part 64065) can be applied on the truck.

Non-Technic functions

- Cabin doors open & close, cabin can be opened for engine access, raise-able wind deflector, tow-bar.
- After lifting the lowloader, the pneumatic circuit can be relieved by applying 'struts'.

Appearance details

- **On the truck8x4:** Dashboard with coffee machine, coffee cups. Fuel tanks, air compressors and air filter units between wheels. Fire extinguisher, exhaust pipe. Spot-lights, flashlights, horns and airco-unit.
- **On the lowloader/gooseneck:** 6x twin wheels, spare wheel, minifig chains, flashlights.

Building guidelines

The following guidelines will help you to build the model easily

- The model consists of several sub models which should be built first. These sub models can be mounted as 'one unit' on a main model.
Notice that mostly the 'final' main model consists of multiple 'sub main models'.
- The standard way of building LEGO® Technic models includes the usage of so-called 'axles and/or pins' to connect parts or sub models to the model.
Within the instructions, these 'axles and/or pins' mounting axles are mostly already in 'pushed' position.
Keep this in mind when you want to mount individual sub models.
- Connect all the pneumatic tubes directly to the pneumatic cylinders, switches and pumps when you build or mount these parts. Otherwise you might not be able to connect them later on.

EXAMPLE





These building instructions are for personal usage and may not commercially used and/or sold. LEGO is a trademark of the LEGO group of companies which does not sponsor, authorize or endorse these building instructions. Copyright design: Han Crielaard, year 2010, www.designer-han.nl

EXAMPLE

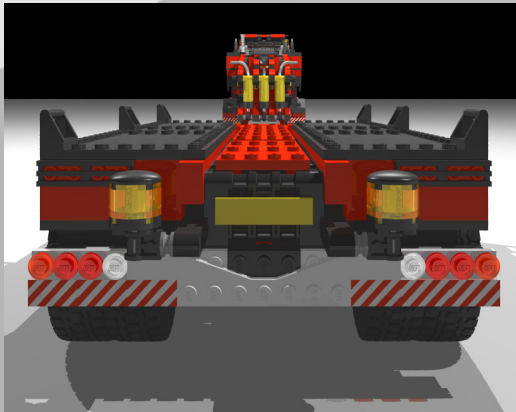




These building instructions are for personal usage and may not commercially used and/or sold. LEGO is a trademark of the LEGO group of companies which does not sponsor, authorize or endorse these building instructions. Copyright design: Han Crielaard, year 2010, www.designer-han.nl

EXAMPLE





EXAMPLE

These building instructions are for personal usage and may not commercially used and/or sold. LEGO is a trademark of the LEGO group of companies which does not sponsor, authorize or endorse these building instructions. Copyright design: Han Crielaard, year 2010, www.designer-han.nl



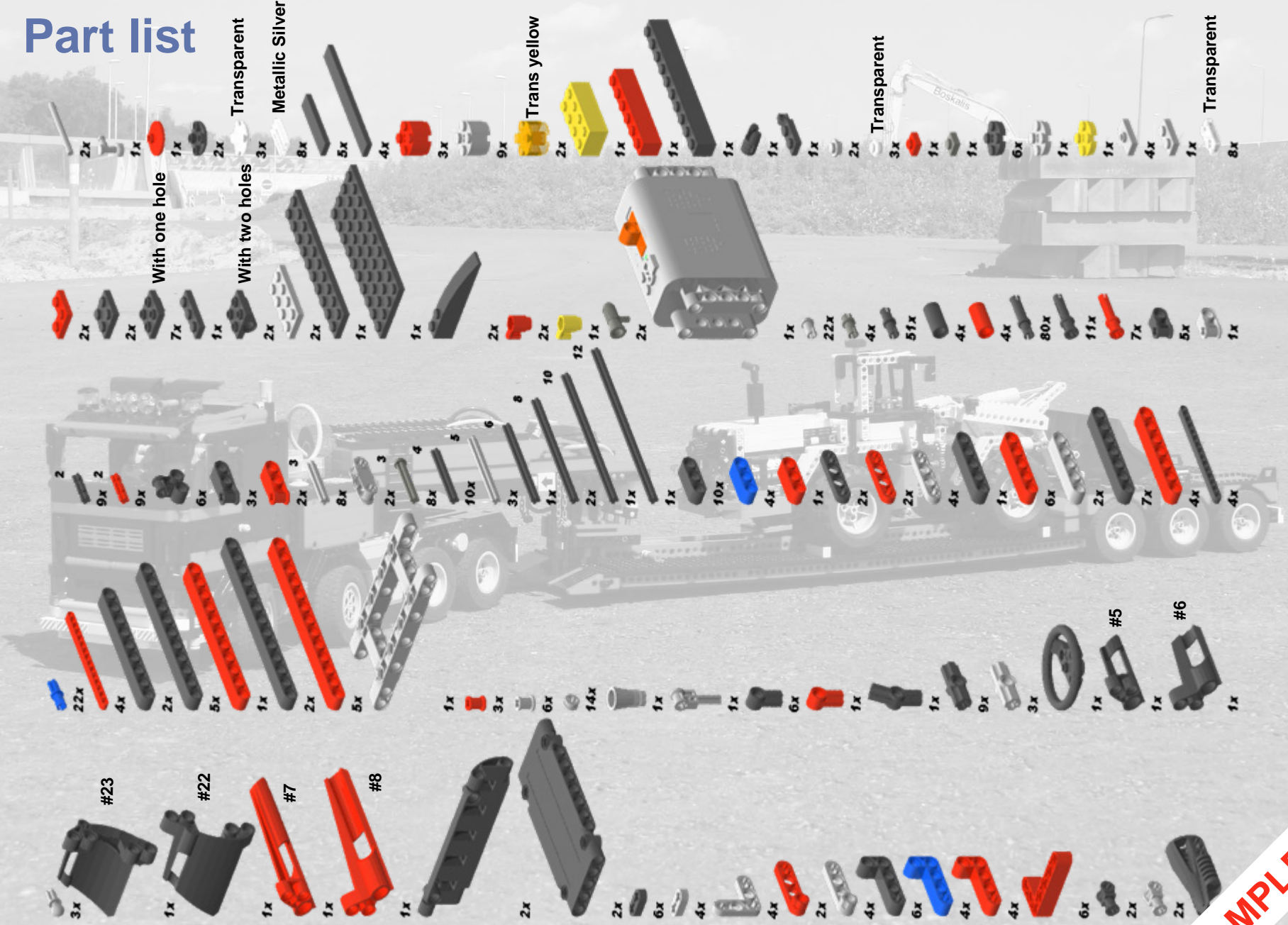


These building instructions are for personal usage and may not commercially used and/or sold. LEGO is a trademark of the LEGO group of companies which does not sponsor, authorize or endorse these building instructions. Copyright design: Han Crielaard, year 2010, www.designer-han.nl

EXAMPLE

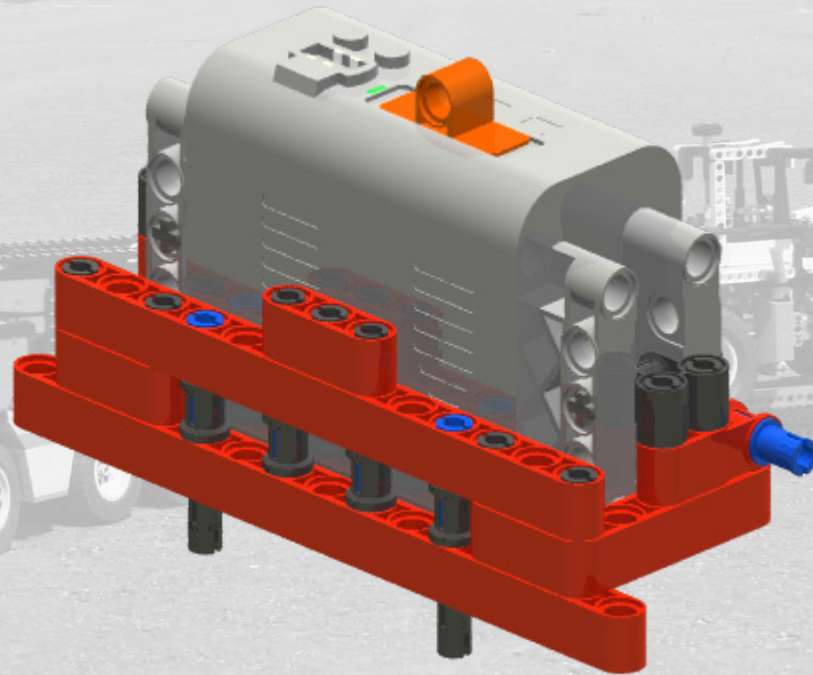


Part list

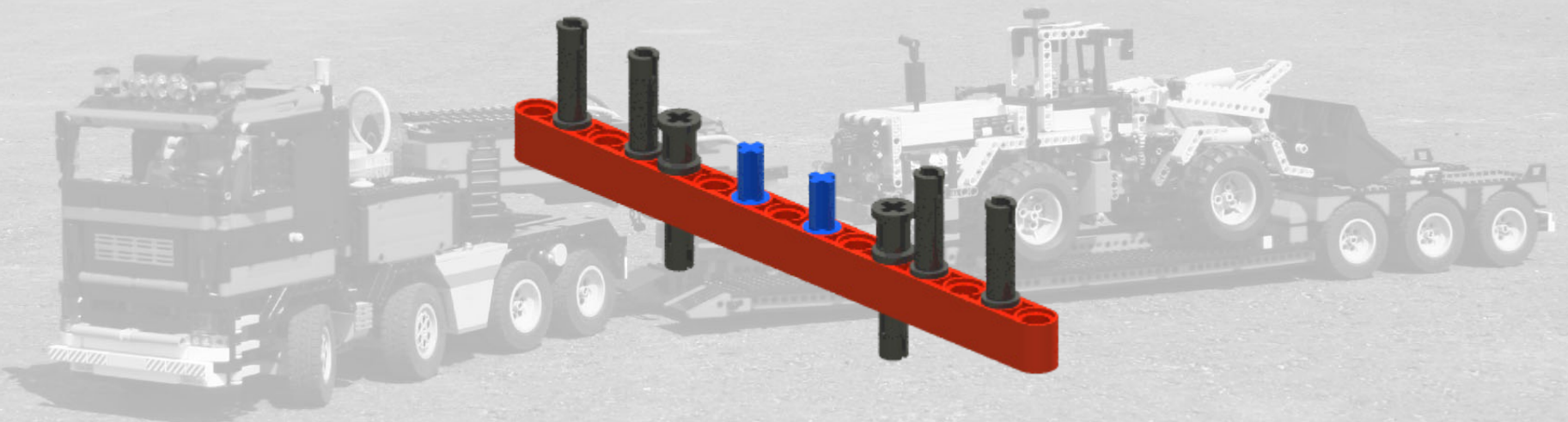
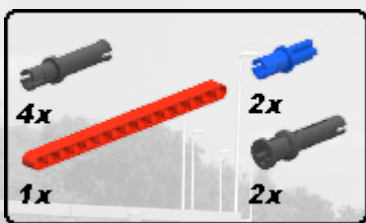


EXAMPLE

Sub model: Battery unit




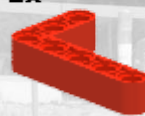
Step 1

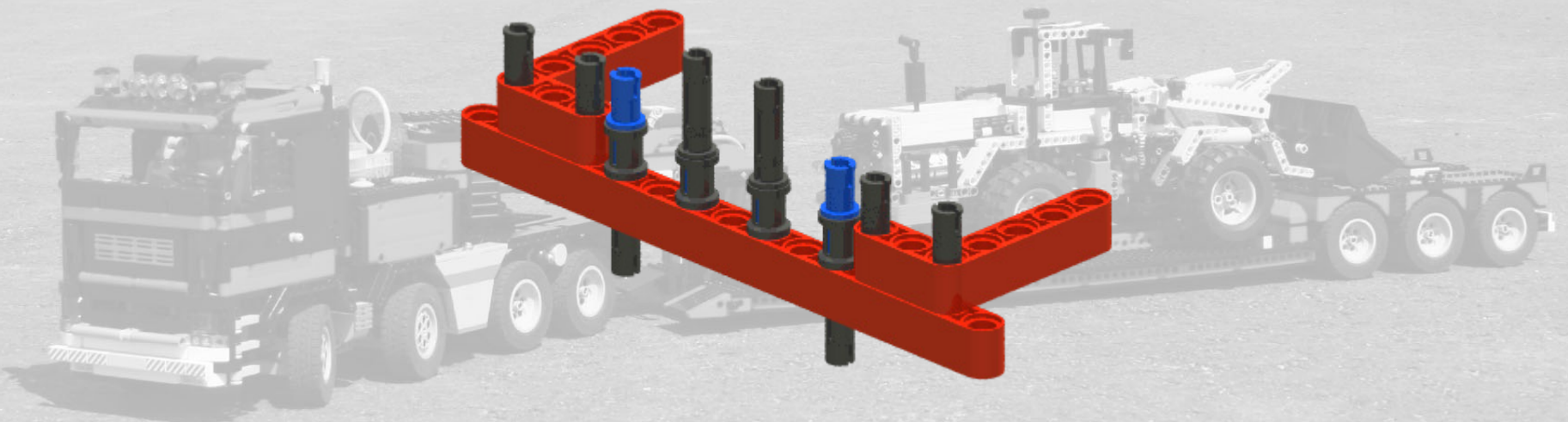


EXAMPLE



Step 2

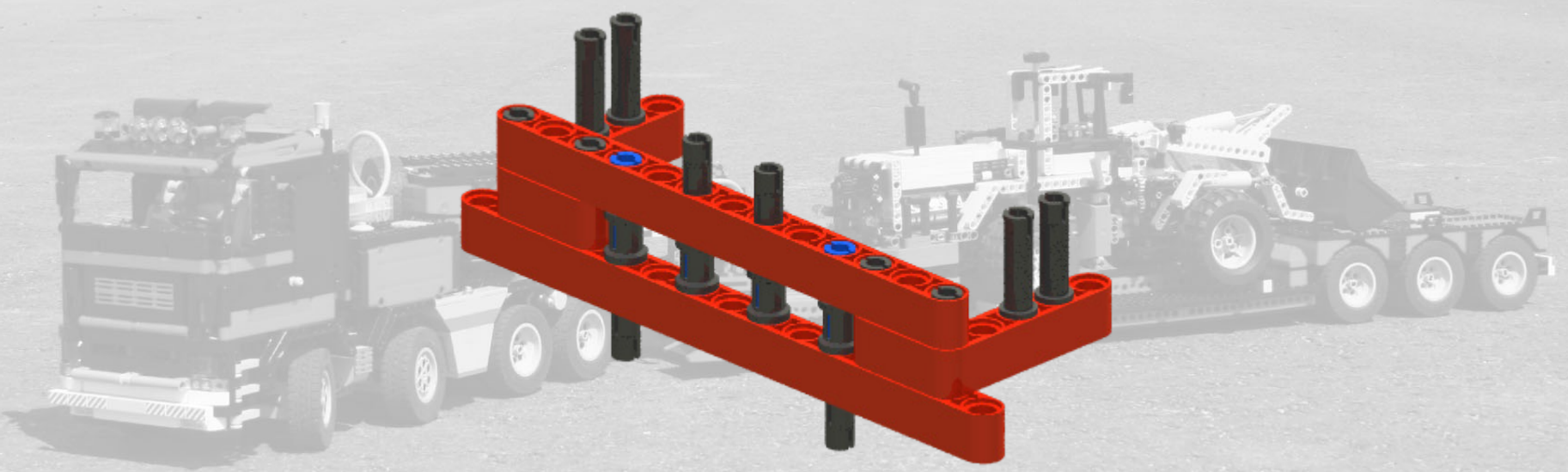
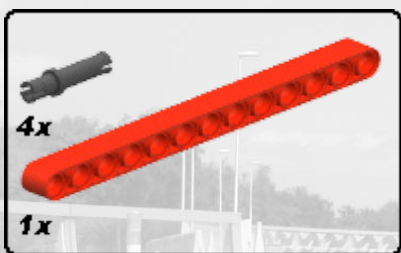
-  2x
-  2x
-  2x



EXAMPLE



Step 3

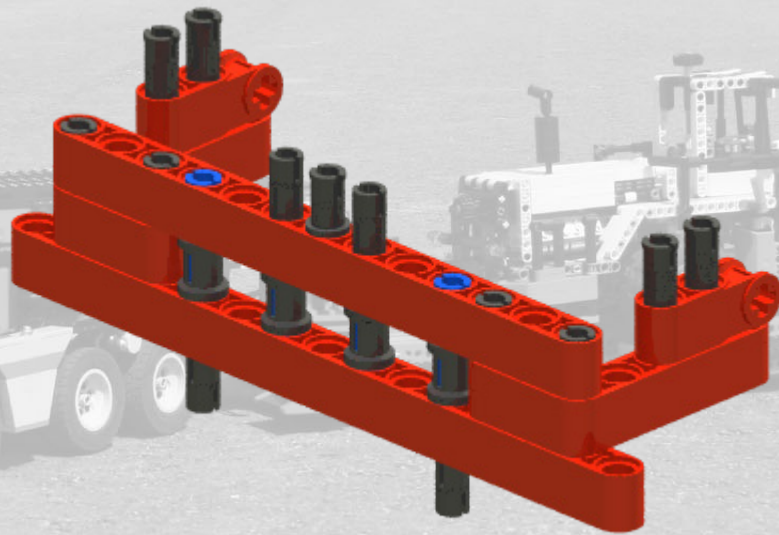


EXAMPLE



Step 4

-  1x
-  2x

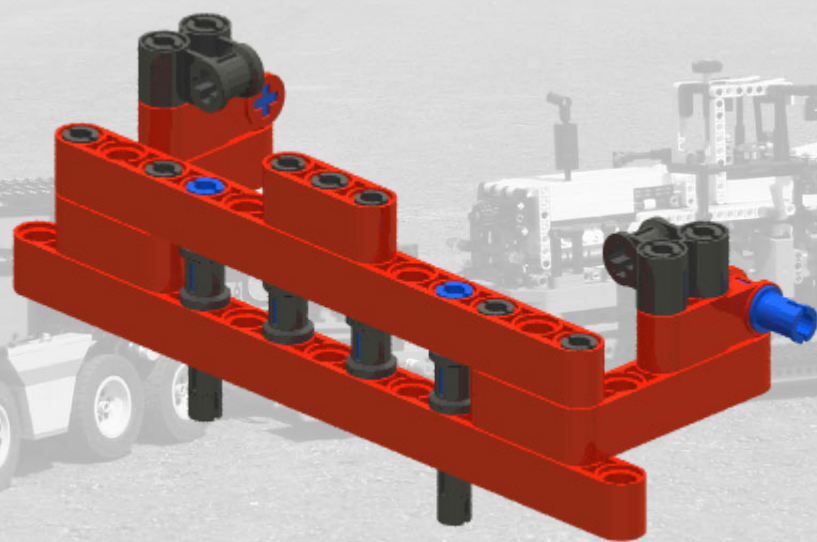


EXAMPLE



Step 5

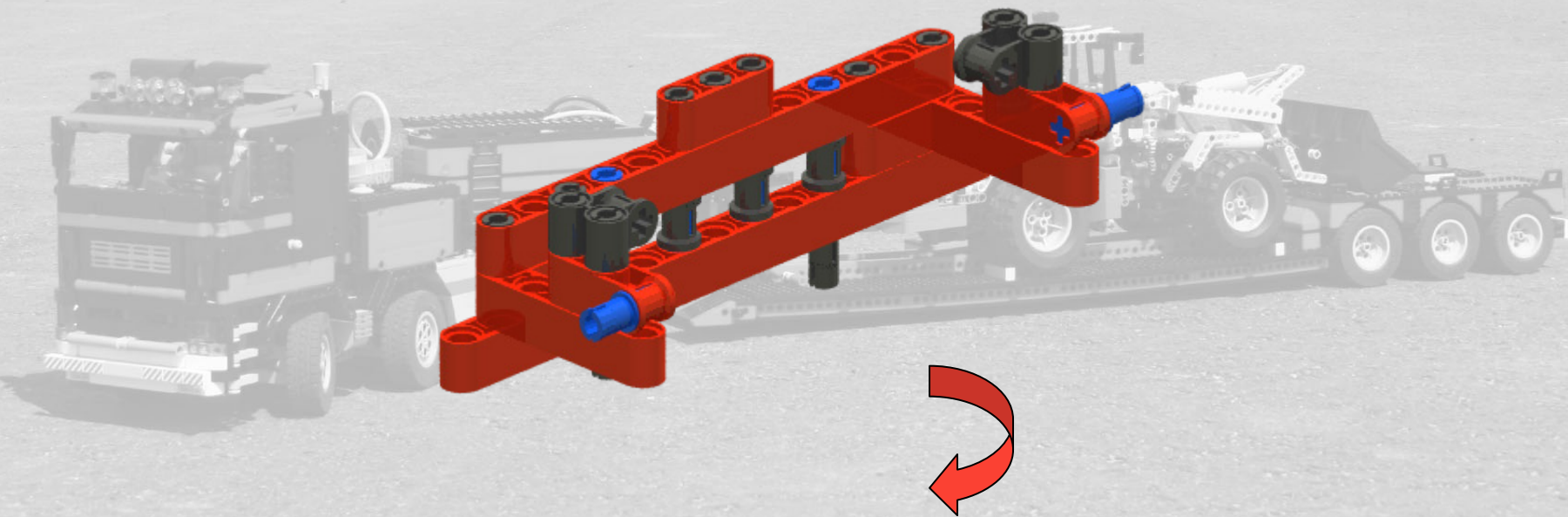
-  2x
-  2x
-  1x



EXAMPLE



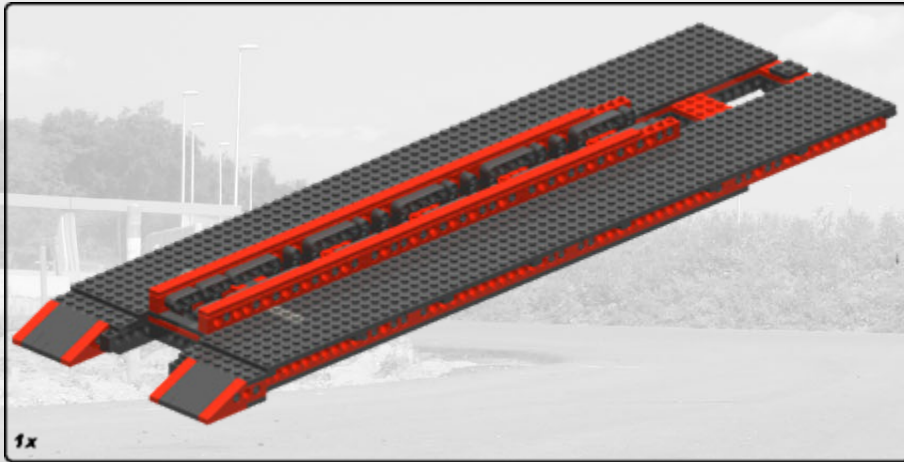
Step 6



EXAMPLE



Step 51

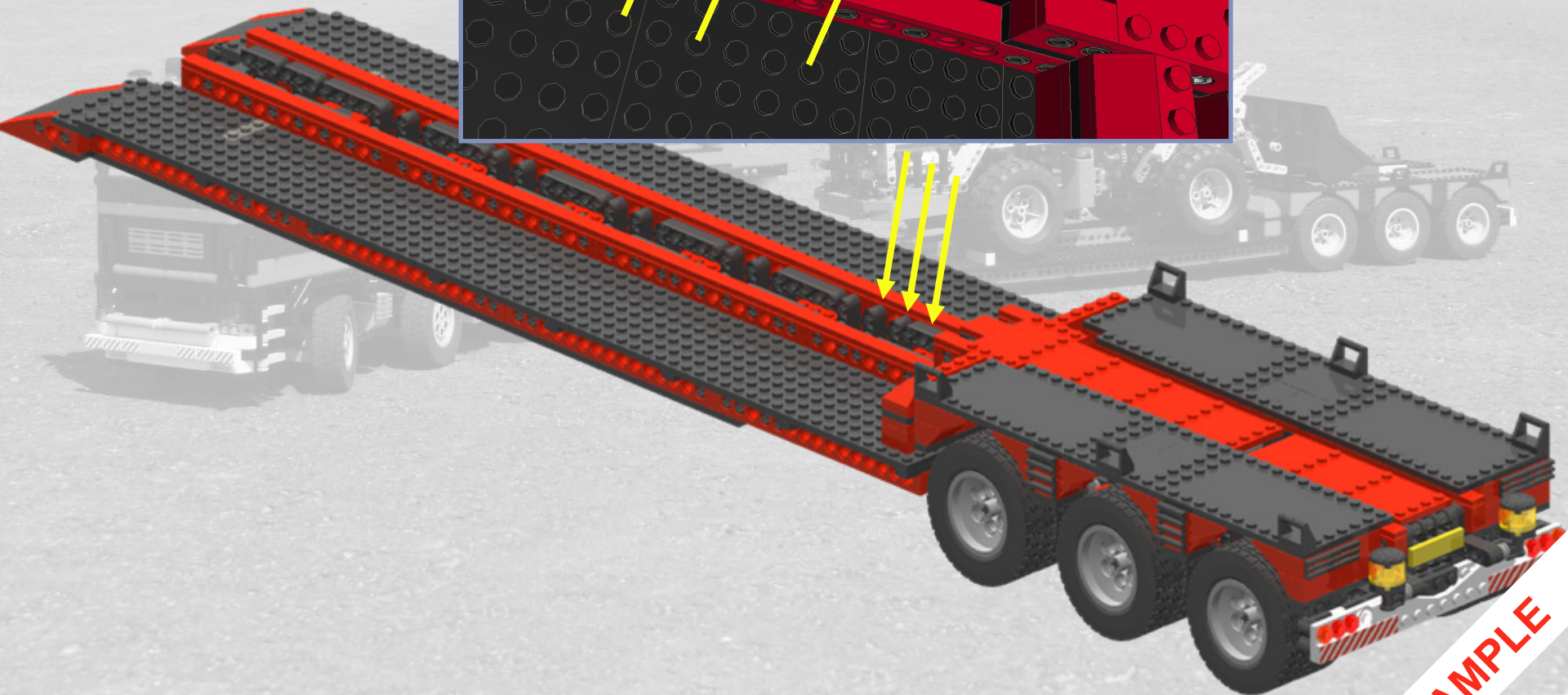
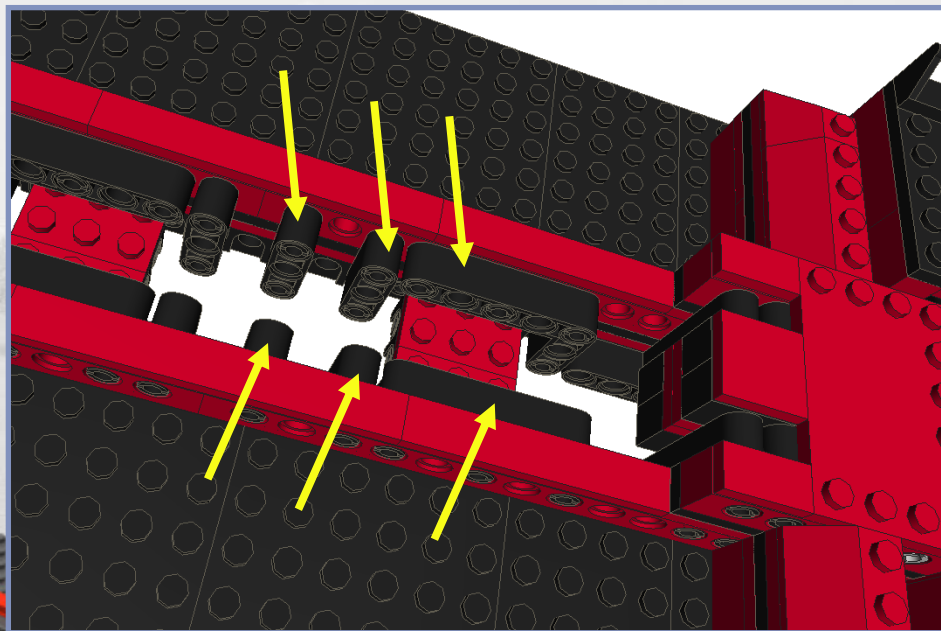
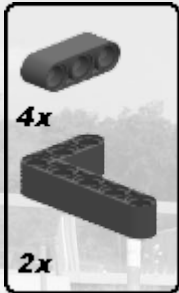


These building instructions are for personal usage and may not commercially used and/or sold. LEGO is a trademark of the LEGO group of companies, which does not sponsor, authorize or endorse these building instructions. Copyright design: Han Crielaard, year 2010, www.designer-han.nl

EXAMPLE



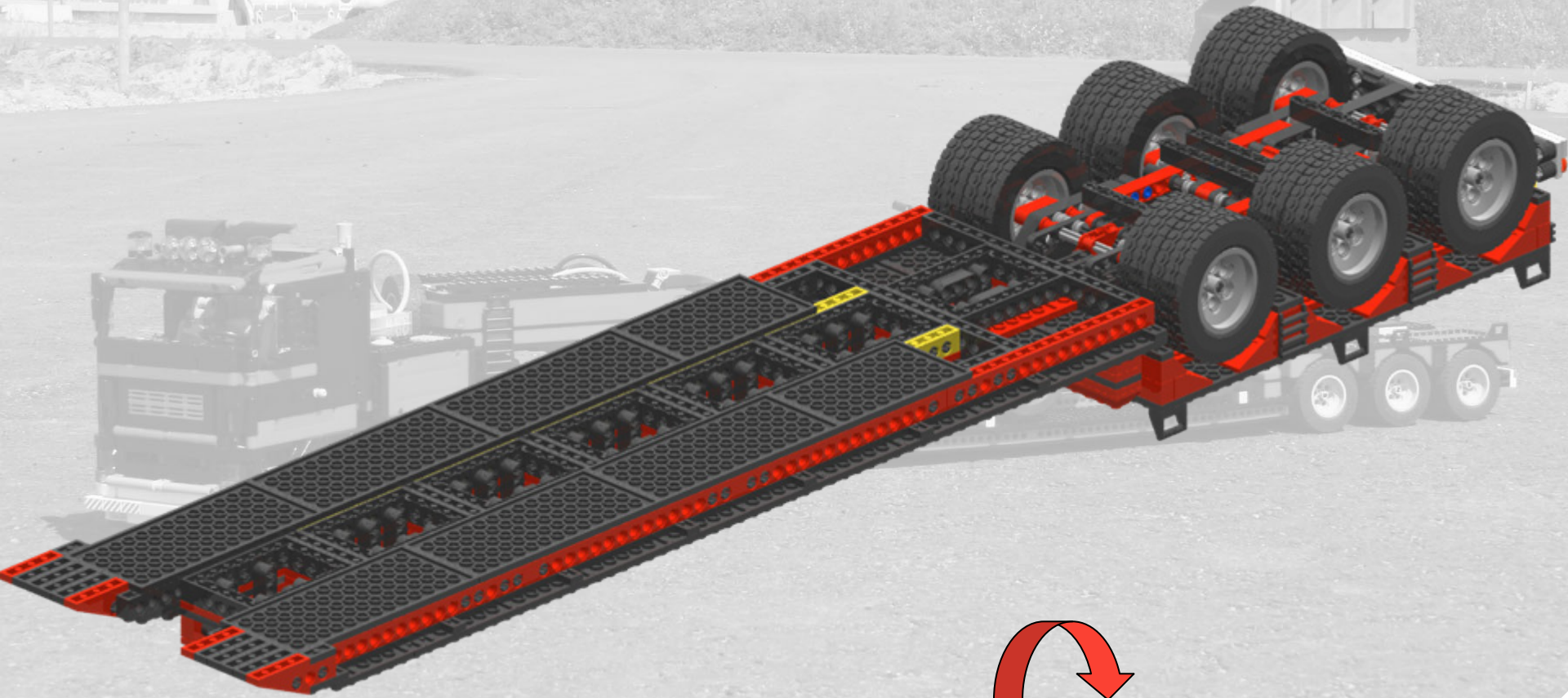
Step 52



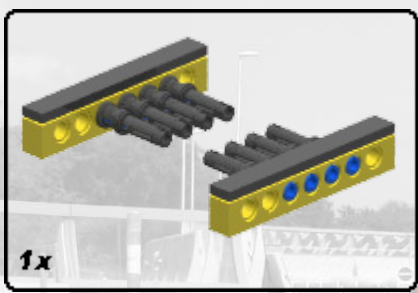
EXAMPLE



Step 53



Step 54

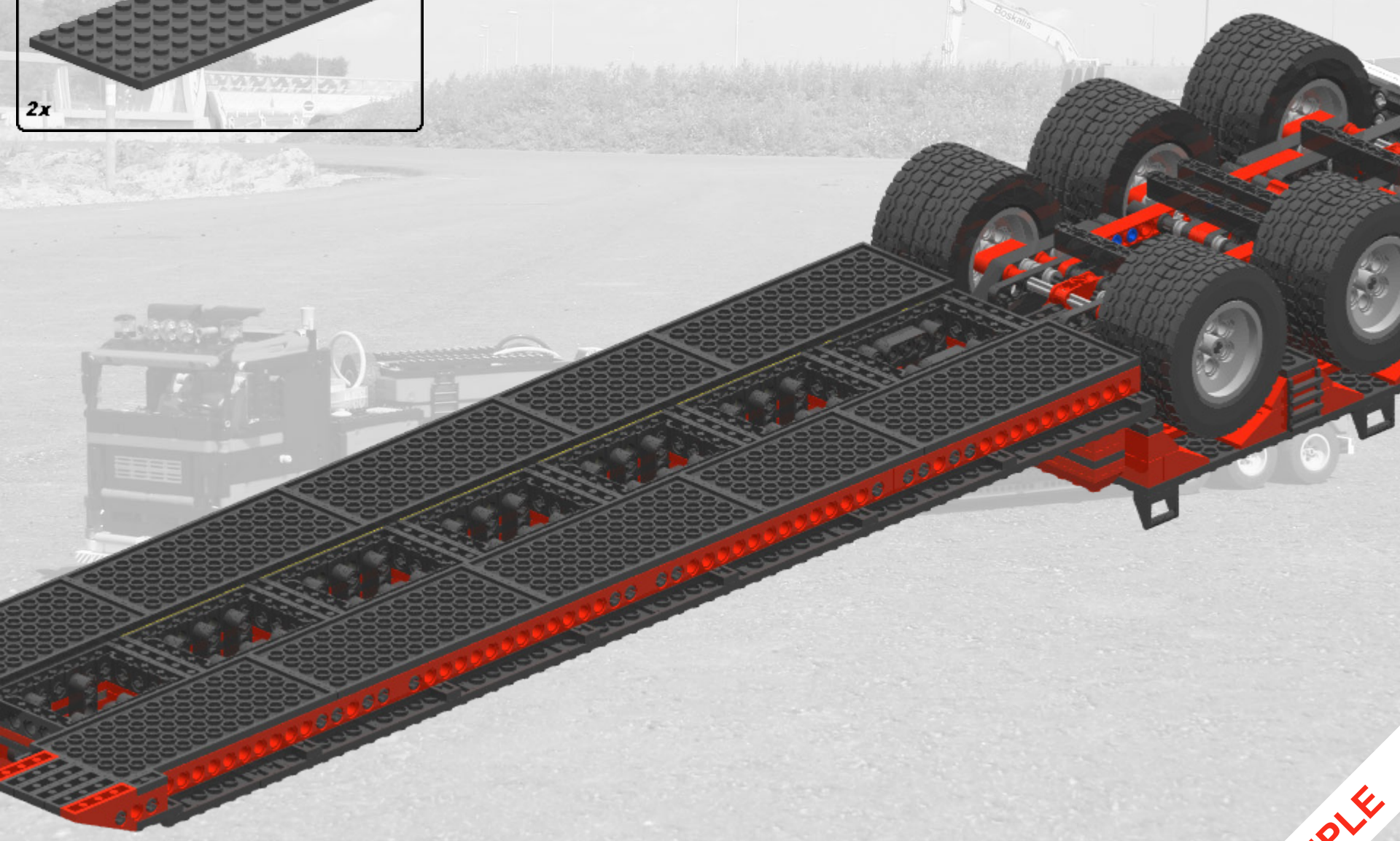
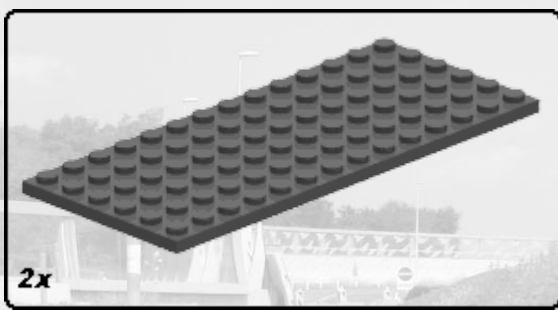


Push !

Push !

EXAMPLE

Last step 55



EXAMPLE

