

Tipping Trailer

(for Tractor 'set 8284')



Building instructions



EXAMPLE

These building instructions are for personal usage and may not commercially used and/or sold. LEGO is a trademark of the LEGO group of companies which does not sponsor, authorize or endorse these building instructions. Copyright design: Han Crielaard, year 2009, www.designer-han.nl



Information

Tipping Trailer

The 'Tipping Trailer' can be attached to the original Technic Tractor set 8284.
No Tractor modifications are needed; only the mounting of a tow-bar.

Dimensions

# Parts	Length	Width	Height	Weight
624	34 cm	16 cm	15 cm	0,9 kg

Technic functions

- The tipping bed can be emptied manually with a steering wheel on the trailer,
- Individual pendular suspension.

Non-Technic functions

- Parking lot wheel.



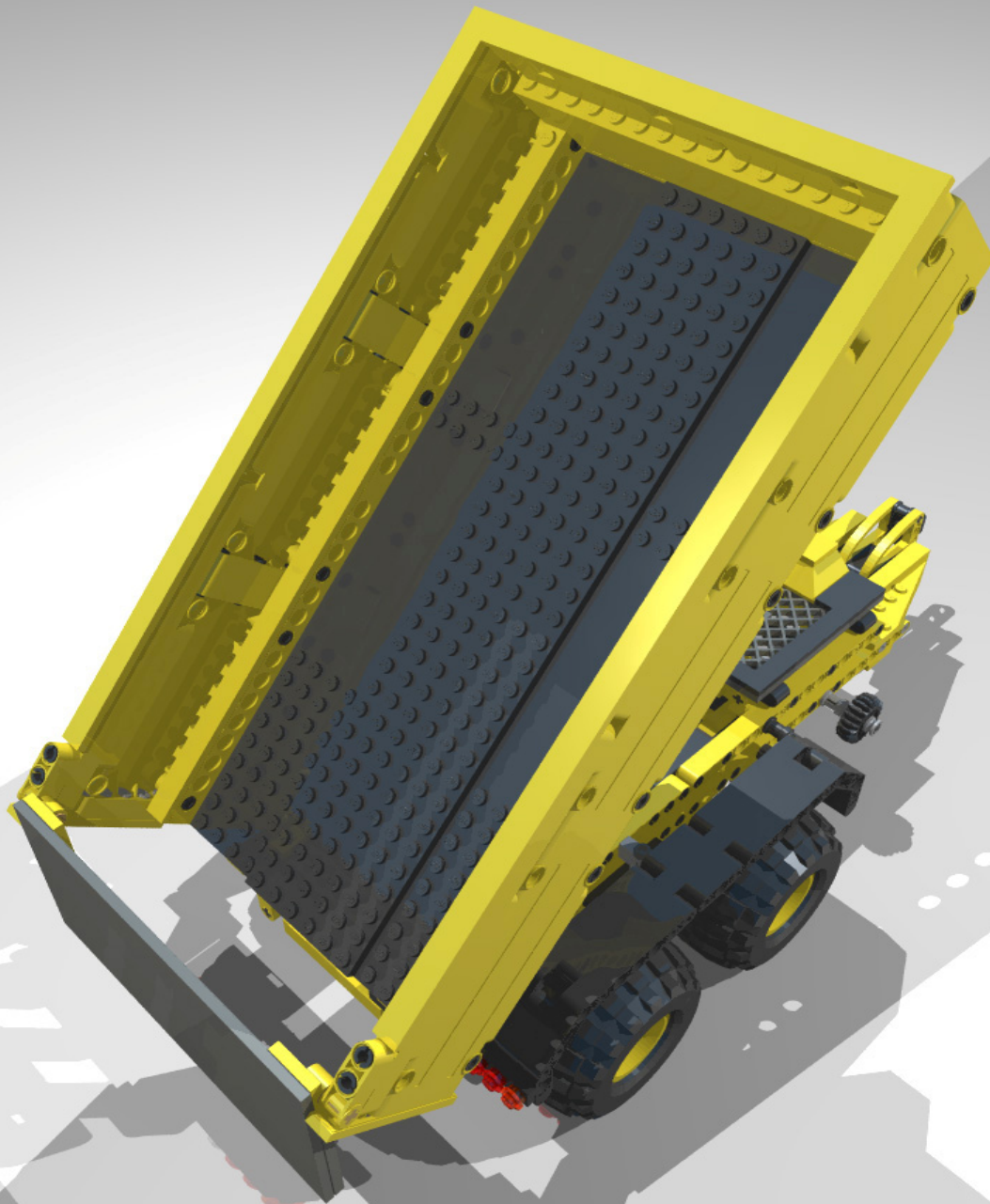
EXAMPLE



Building guidelines

The following guidelines will help you to build the model easily

- The model consists of several sub models which should be built first. These sub models can be mounted as 'one unit' on a main model.
Notice that mostly the 'final' main model consists of multiple 'sub main models'.
- The standard way of building LEGO® Technic models includes the usage of so-called 'axles and/or pins' to connect parts or sub models to the model.
Within the instructions, these 'axles and/or pins' mounting axles are mostly already in 'pushed' position.
Keep this in mind when you want to mount individual sub models.
- Connect all the pneumatic tubes directly to the pneumatic cylinders, switches and pumps when you build or mount these parts. Otherwise you might not be able to connect them later on.



These building instructions are for personal usage and may not commercially used and/or sold. LEGO is a trademark of the LEGO group of companies, which does not sponsor, authorize or endorse these building instructions. Copyright design: Han Crielaard, year 2009, www.designer-han.nl

EXAMPLE





EXAMPLE

These building instructions are for personal usage and may not commercially used and/or sold. LEGO is a trademark of the LEGO group of companies which does not sponsor, authorize or endorse these building instructions. Copyright design: Han Crielaard, year 2009, www.designer-han.nl



Main model: Tipping Trailer

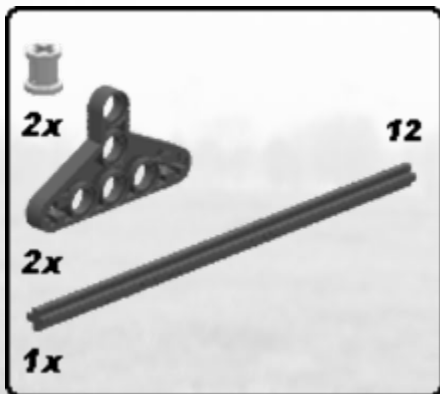


These building instructions are for personal usage and may not commercially used and/or sold. LEGO is a trademark of the LEGO group of companies which does not sponsor, authorize or endorse these building instructions. Copyright design: Han Crielaard, year 2009, www.designer-han.nl

EXAMPLE



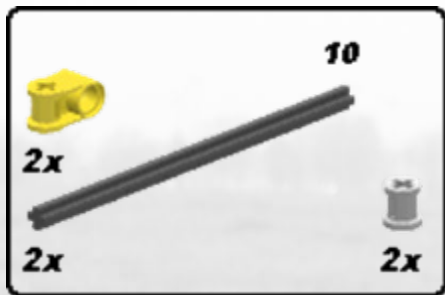
Step 1



EXAMPLE



Step 2



EXAMPLE



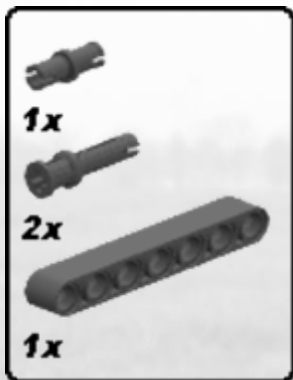
Step 3



EXAMPLE



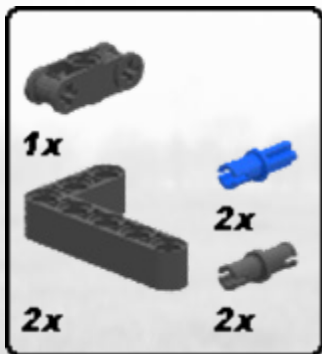
Step 4



EXAMPLE



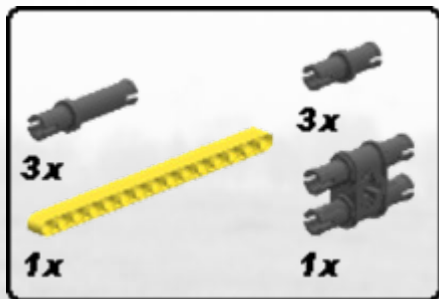
Step 5



EXAMPLE



Step 6



EXAMPLE



Step 7



EXAMPLE



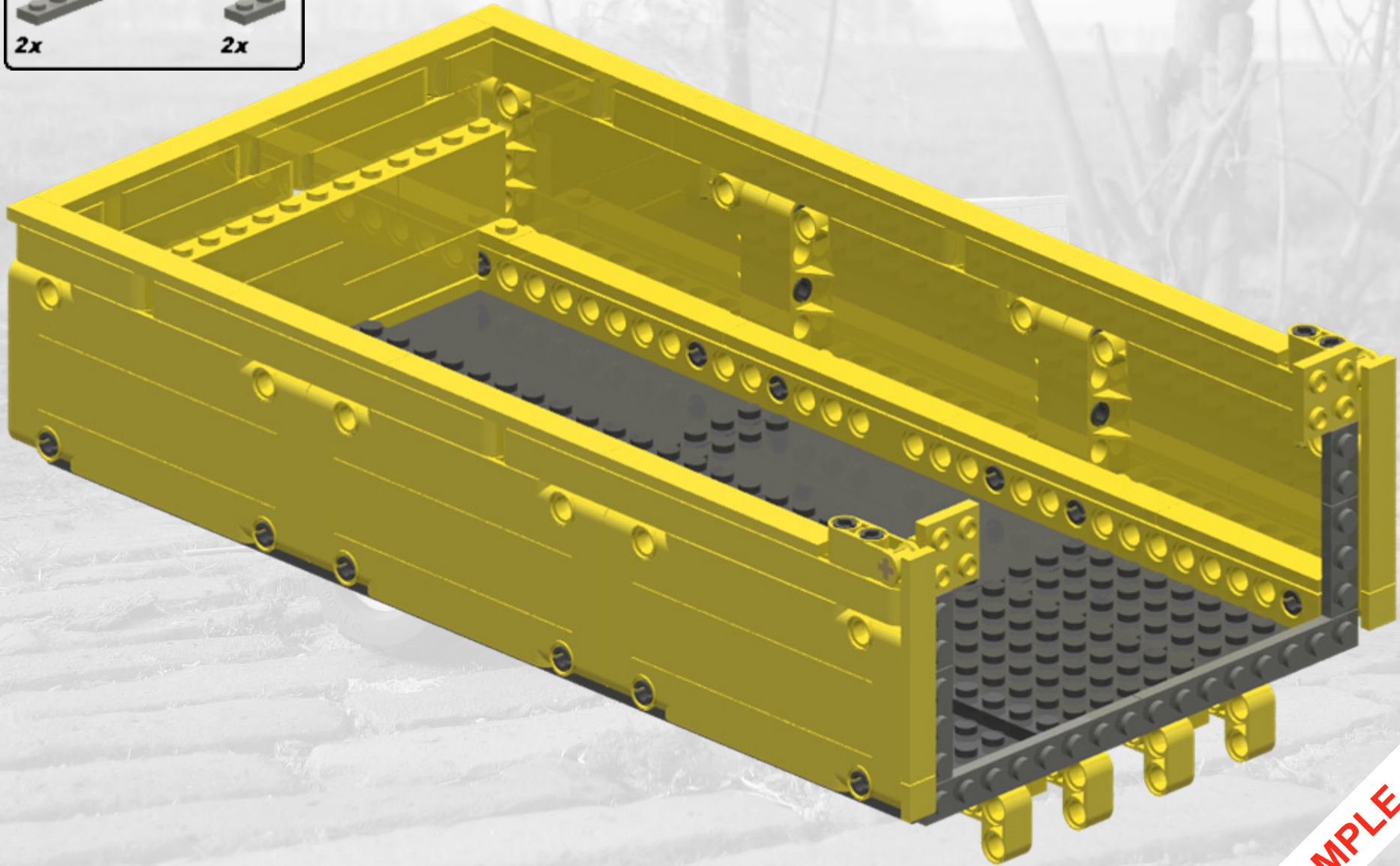
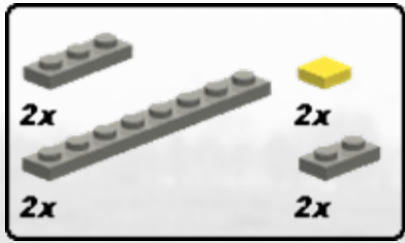
Step 8



EXAMPLE



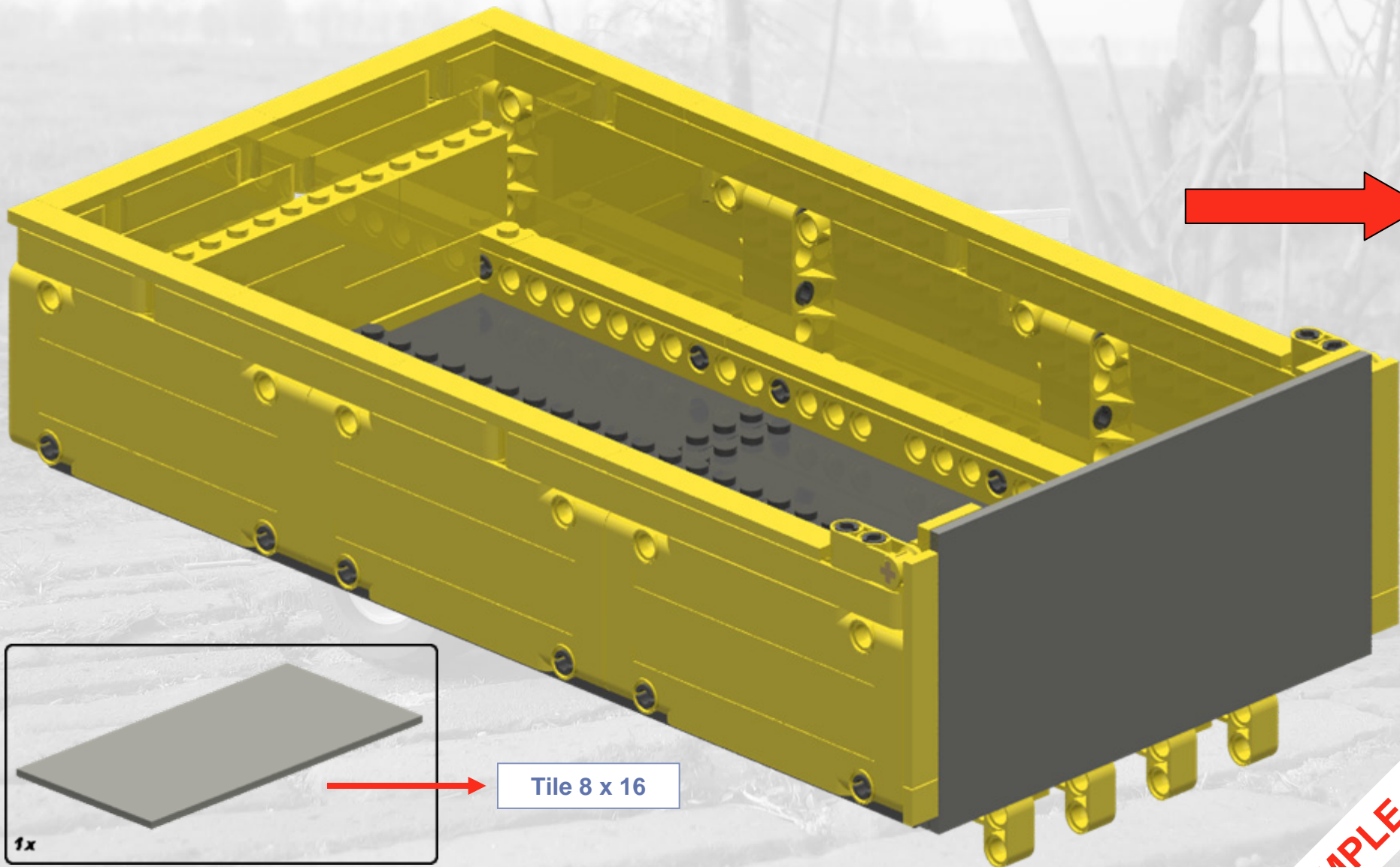
Step 25



EXAMPLE



Last step 26



EXAMPLE



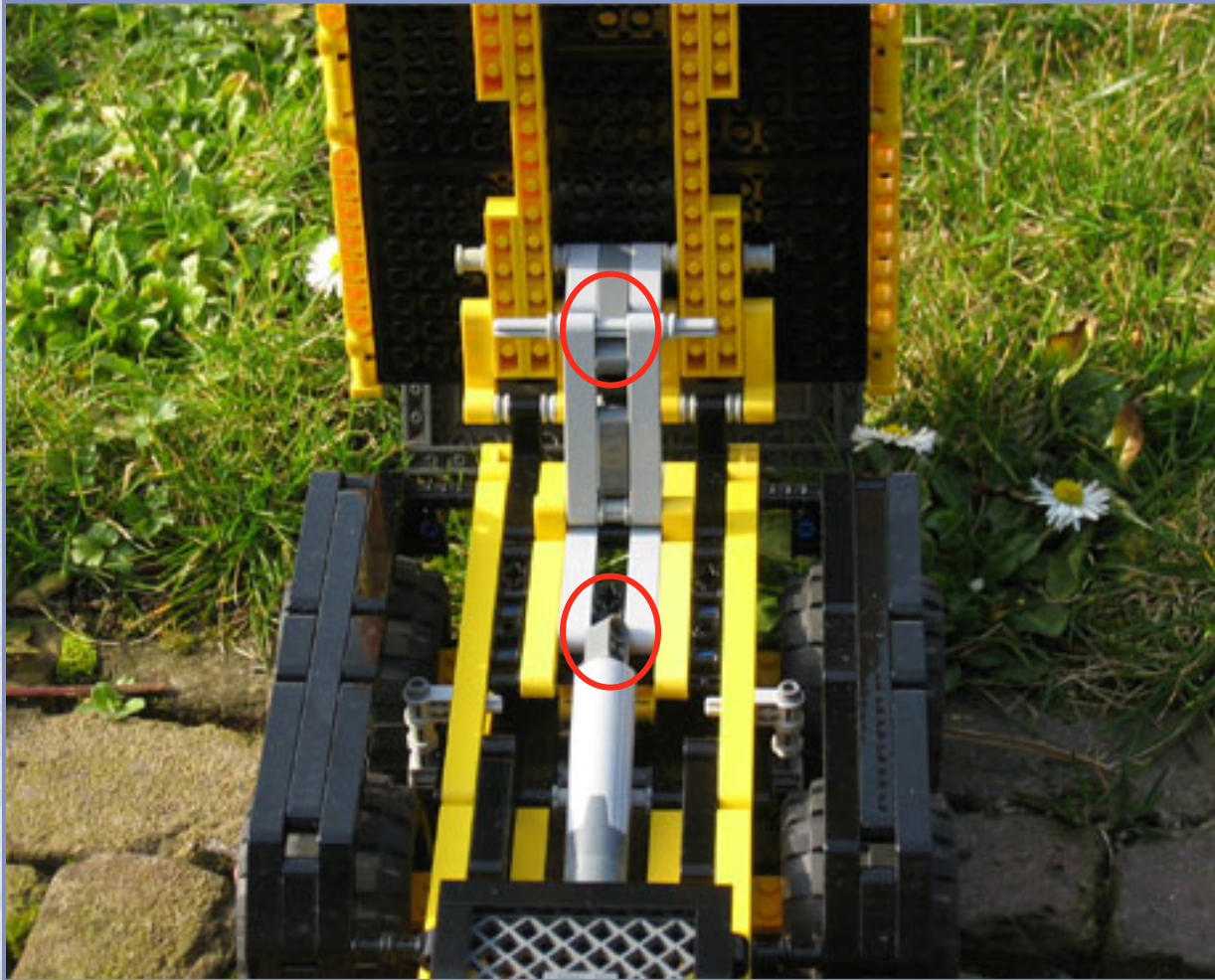
Step 66



EXAMPLE

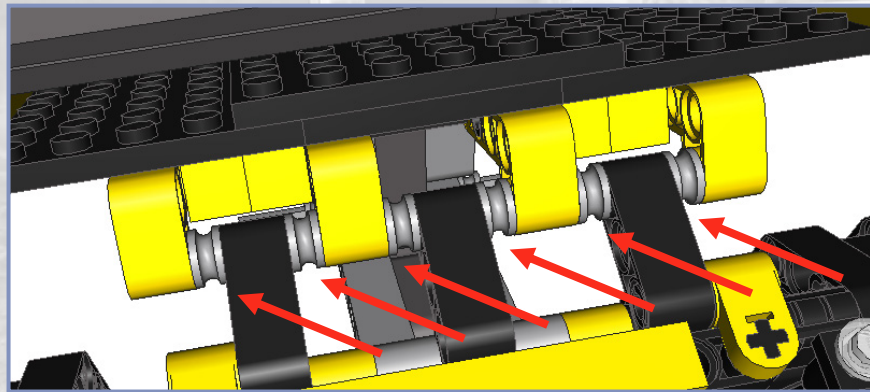
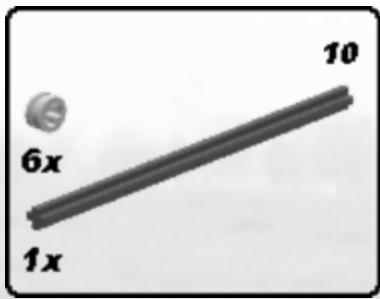


For little children: Dumping the 'Tipping Bed' by hand



1. Little children want to tip the 'tipping bed' with their hands. They just can not (or don't want to) operate the tipping bed by turning the steering wheel which operates the 'linear actuator'.
2. Therefore, you can disconnect the linear actuator from the tipping bed as shown on the picture. And, the linear actuator can still 'lay flat' under the tipping bed; you don't have to remove it.

Last step 67



EXAMPLE

