



Slurry Injection Tanker

(Part Inventory in Pictures)



Information

The following guidelines will help you to source your parts easily

- In this document you will find all parts used, displayed as pictures with their associated:
 - Color
 - Part number (Rebrickable & Bricklink source)
 - Quantity

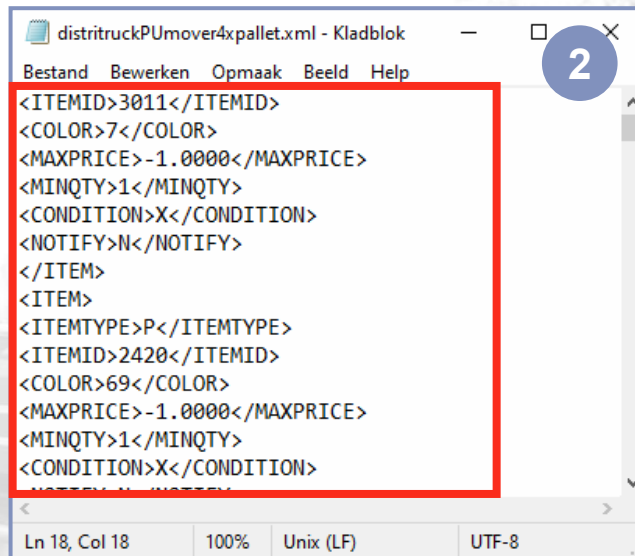
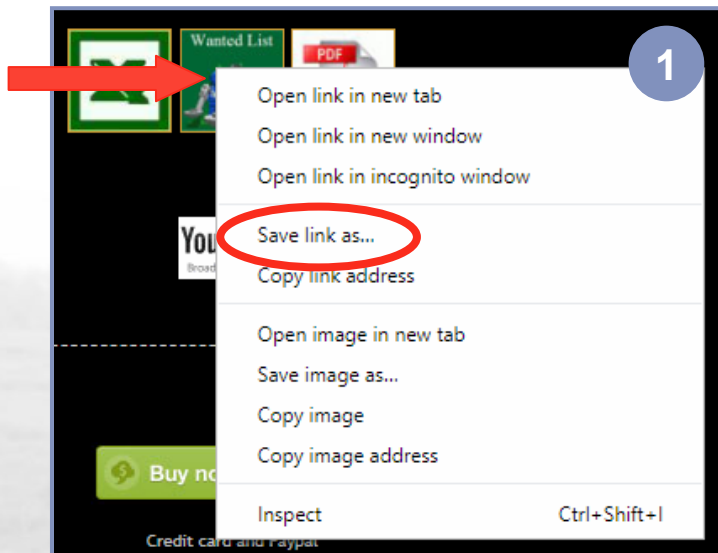
On each page the color name is given, including a 'break-sign' (⏏) when the color changes in the chart.

- On my website you will find the same 'part inventory' as well:
 - As an Microsoft Excel file format; this makes it easier to generating your own 'wanted list' based on what you already have.
It is up to you how to upload the data from the Excel file to other websites as Rebrickable or Bricklink.
 - As a Bricklink XML file format; you can use this xml file for uploading to the websites Rebrickable or Brinklink.
Uploading in Bricklink isn't always easy; a work-around is to copy/paste the XML content, see next page 'how to do'.
- This part list aims to be 100% correct; but it might be possible that some parts/colors/counts may be wrong.

Part quantity for this inventory:

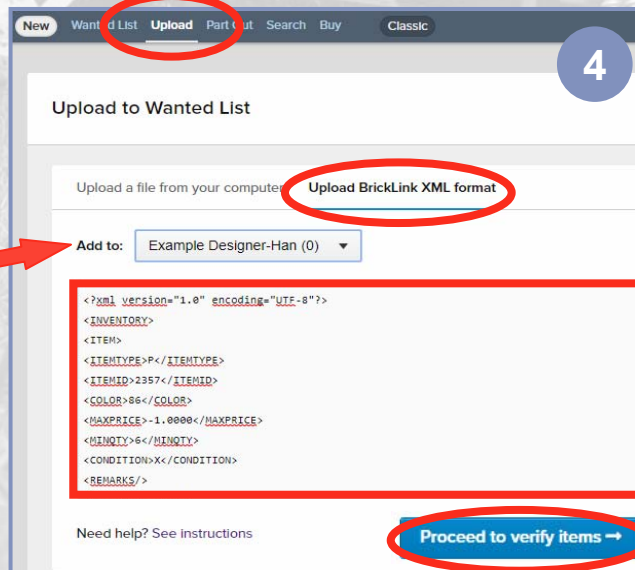
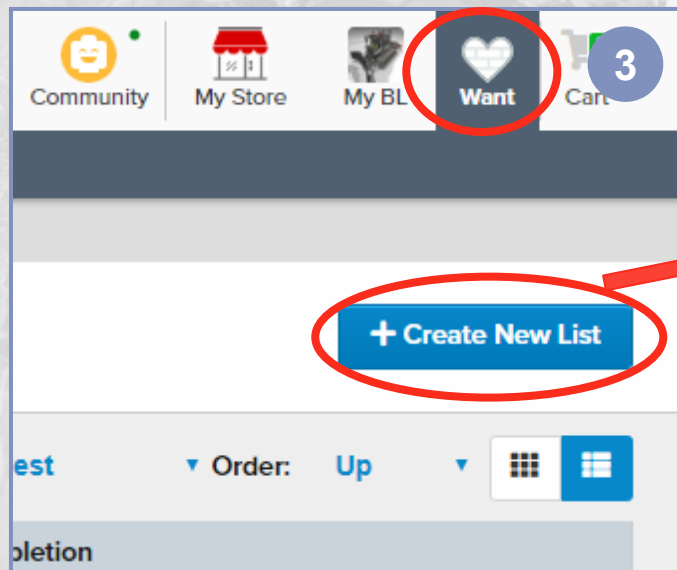
- Slurry Injection Tanker 1.069

How to upload the XML content to Bricklink.com



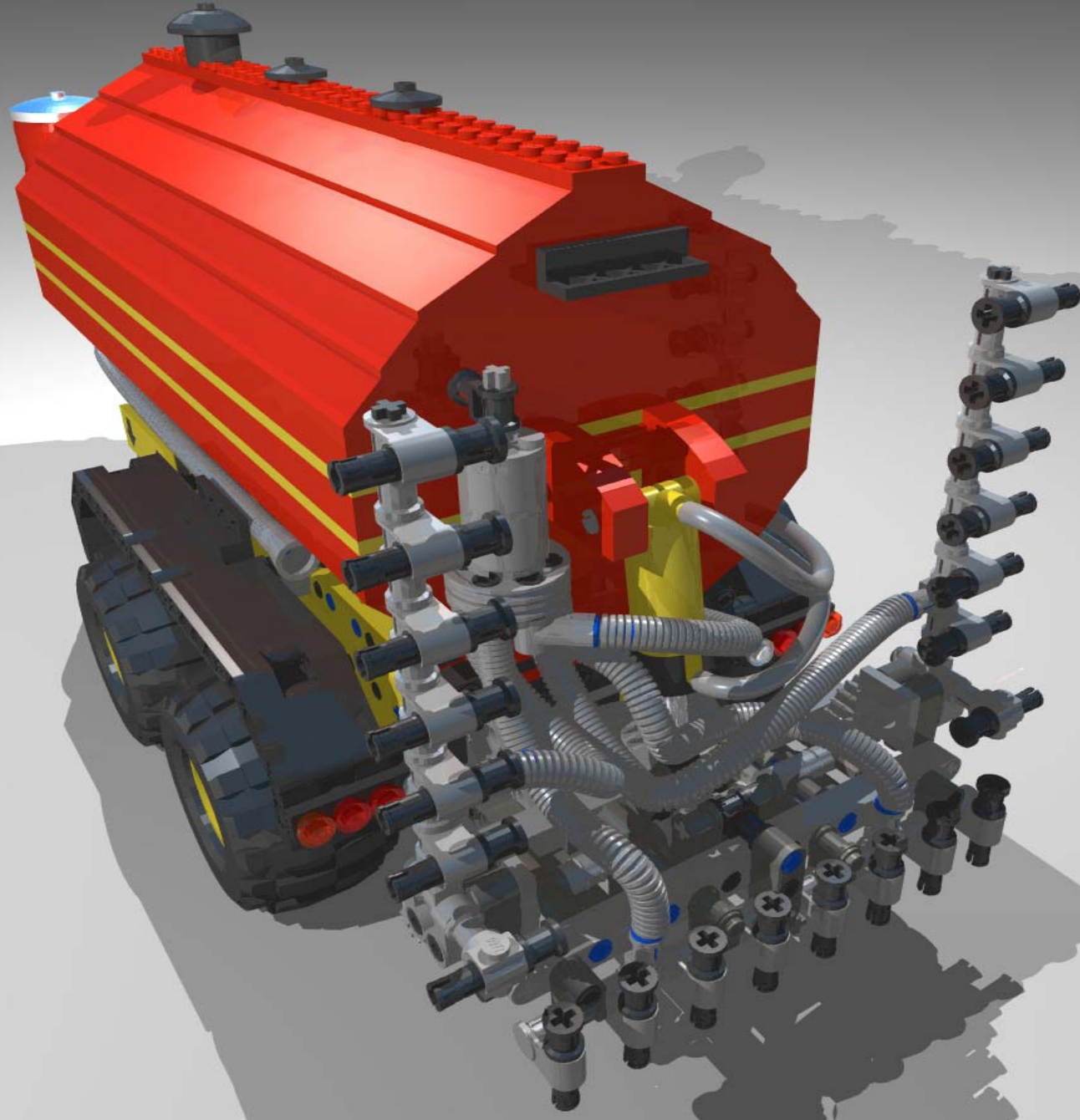
- 1 On my website
- Right-click on the Bricklink icon
 - select 'save link as...'
 - Save the xml file on your computer

- 2 On your computer
- Open the xml file in 'Notepad'
 - Select all content by 'Control-A' keyboard combination



- 3 @ Bricklink.com
- Select 'Create New List' under 'Want' (example Designer-Han)

- 4 @ Bricklink.com
- Select 'Upload',
 - Select 'Upload Bricklink xml format'
 - Select 'add to:' and choose the right 'wanted list name'
 - Copy/paste the Notepad content into the 'gray-box',
 - Select 'proceed to verify items'. This will generate the wanted-list for you.
 - Ready.
































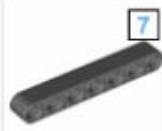



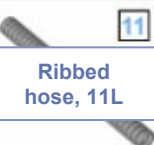
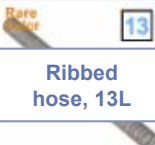


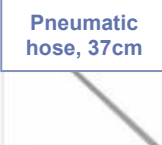


These building instructions are for personal usage and may not commercially used and/or sold. LEGO is a trademark of the LEGO group of companies which does not sponsor, authorize or endorse these building instructions. Copyright design: Han Crielaard, year 2008, www.designer-han.nl/lego

Slurry Injection Tanker - 1

 1x3009	 2x3001	 1x3007	 1x3941	 2x4740	 1x43898	 2x3633	 1x5102c12
 1x3623	 2x3710	 1x3022	 2x3021	 1x3795	 2x3033	 1x3028	 4x3036
 2x2817	 2x3737	 3x3708	 5x32062	 9x3705	 3x3707	 1x32034	 10x6536
 5x42003	 2x32184	 2x41678	 7x6538b	 5x32039	 8x32009	 1x32525	 2x32278
 2x43857	 16x41677	 7x32523	 2x6632	 1x32017	 2x32348	 2x32524	 3x40490


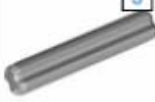










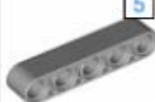



























Color guide for this page: Black

Slurry Injection Tanker - 2

 4 x 32056	 6 x 32526	 6 x 2905	 4 x 2730	 2 x 32018	 1 x 6541	 1 x 32000	 4 x 3701
 1 x 3894	 2 x 3713	 1 x 32269	 2 x 32557	 1 x 32138	 40 x 6558	 46 x 32054	 106 x 2780
 1 x 4716	 1 x 3483	 4 x 2995	 45 x 43093	 1 x 47223a	 14 x 6587	 4 x 32209	 1 x 55013
 4 x 32034	 15 x 6536	 8 x 42003	 2 x 60483	 1 x 32523	 2 x 32524	 2 x 6542a	 7 x 32002
 1 x 30155	 3 x 78c11	 1 x 78c13	 3 x 78c24	 2 x 3941	 2 x 5102c48	 3 x 6141	 2 x 4032a

Color guide for this page: Black, Blue, Dark bluish gray, Dark gray, Flat silver, Light bluish gray

Slurry Injection Tanker - 3

 2 x 6553	 17 x 4519	 16 x 32073	 10 x 44294	 2 x 32013	 1 x 32034	 20 x 6536	 2 x 41678
 9 x 6538b	 8 x 32039	 2 x 32278	 4 x 41677	 4 x 32316	 1 x 2905	 28 x 3713	 21 x 32123b
 4 x 6589	 5 x 32270	 1 x 4019	 4 x 32269	 2 x 3648b	 1 x 3647	 10 x 4274	 2 x 48989
 4 x 3673	 1 x 61903	 1 x 9244	 2 x 4185	 2 x 3068b	 1 x 6135	 2 x 3651	 1 x 3960
 2 x 3005	 8 x 6111	 2 x 2465	 4 x 3004	 2 x 3622	 7 x 3010	 1 x 3009	 10 x 3008

Color guide for this page: Light bluish gray, Light gray, Metallic silver, Red



Slurry Injection Tanker - 4



Color guide for this page: Red



Slurry Injection Tanker - 5

 1x3749	 2x6141	 2x6141	 1x3941 <small>Rare Color</small>	 4x6141	 1x76019	 1x3003	 1x3623
 2x3710	 5x3666 <small>6</small>	 16x3460 <small>8</small>	 4x3022	 1x2420	 4x3020	 2x3034	 1x2444
 1x2793c01	 1x2797c02	 2x32013	 16x6536	 2x32039	 8x32278 <small>15</small>	 1x43857	 2x32250
 2x32018 <small>14</small>	 4x3700	 3x3701	 1x3894 <small>6</small>	 2x3702 <small>8</small>	 6x32123b	 3x32557	 4x32054
 2x4162 <small>8</small>	 2x3068bp18 <small>Rare Color</small>	 1x3068b <small>2</small>	 2x50305	 2x50304	 4x2996 <small>Rare Color</small>		

Color guide for this page: Tan, Trans-clear, Trans-orange, Trans-red, White, Yellow

These building instructions are for personal usage and may not commercially used and/or sold. LEGO is a trademark of the LEGO group of companies which does not sponsor, authorize or endorse these building instructions. Copyright design: Han Crielaard, year 2008, www.designer-han.nl/lego

