



# Slurry Injection Tanker

( for Tractor 'set 8284' )



Building instructions

**EXAMPLE**



# Information

## Slurry Injection Tanker

The 'Slurry Injection Tanker' can be attached to the original Technic Tractor set 8284. No Tractor modifications are needed; only the mounting of a tow-bar.

### Dimensions

# Parts	Length	Width	Height	Weight
1069	40 cm	17 cm 34 cm (with lowered injector beams)	21 cm	1,3 kg

### Technic functions

- The injection platform can be lifted or let down by pneumatic power,
- Both injector beams can automatically be lifted or let down when the tractor is pushed forward. This is done by using the tractor 'external spline shaft', which moves the injector beams up or down depending on the switch selection on the tanker,
- Ability to lift or let down both injector beams manually with a steering wheel on the tanker (the switch selector on the tanker must be in 'neutral' position),
- Individual pendular suspension.

### Non-Technic functions

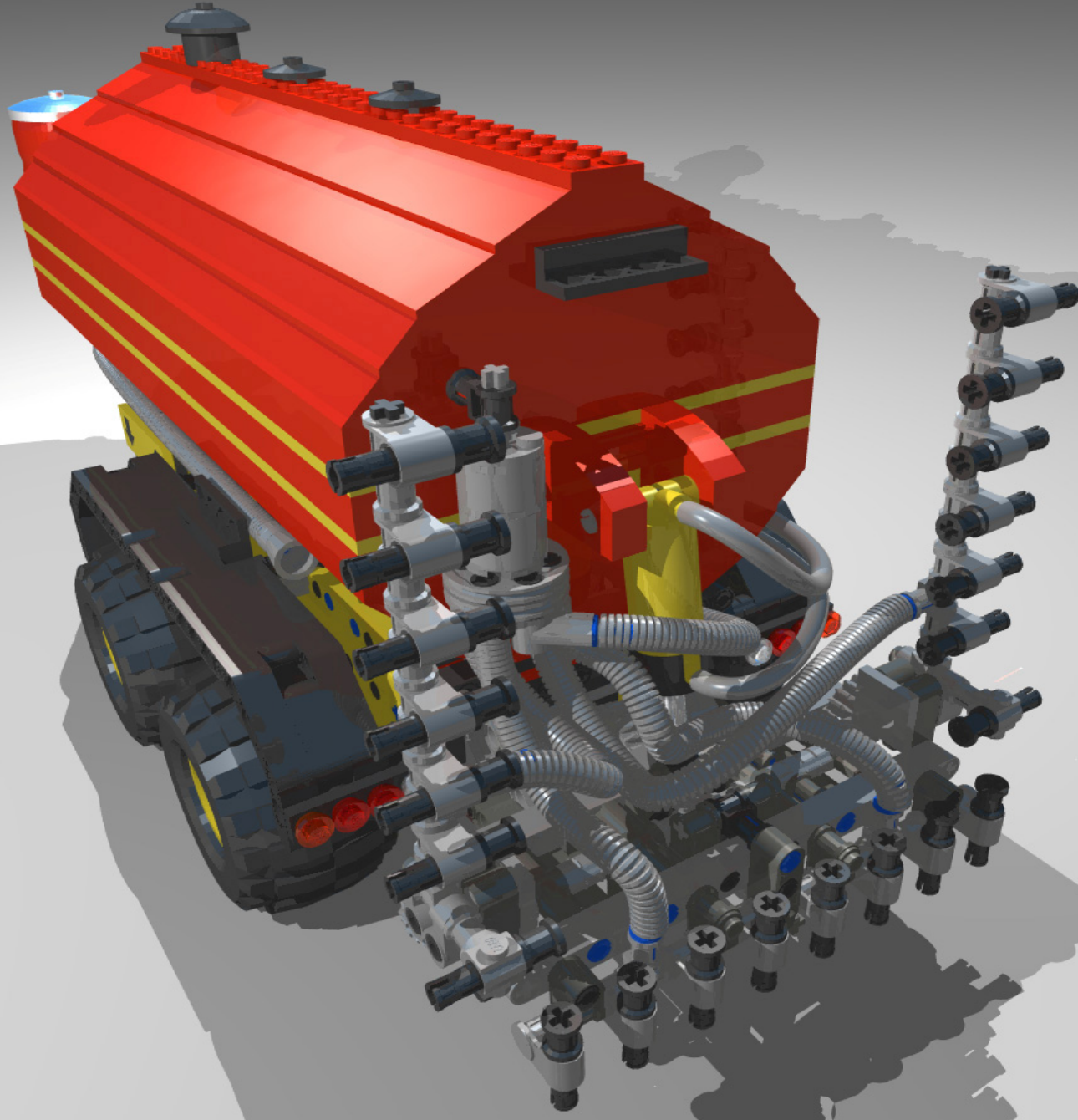
- Parking lot wheel.

# Building guidelines

The following guidelines will help you to build the model easily

- The model consists of several sub models which should be built first. These sub models can be mounted as 'one unit' on a main model.  
Notice that mostly the 'final' main model consists of multiple 'sub main models'.
- The standard way of building LEGO® Technic models includes the usage of 'axles and/or pins' to connect parts or sub models to the model.  
Within the instructions, these 'axles and/or pins' are mostly already in 'pushed' position. Keep this in mind when you want to mount individual sub models.
- Connect all the pneumatic tubes directly to the pneumatic cylinders, switches and pumps when you build or mount these parts. Otherwise you might not be able to connect them later on.





**EXAMPLE**

These building instructions are for personal usage and may not commercially used and/or sold. LEGO is a trademark of the LEGO group of companies which does not sponsor, authorize or endorse these building instructions. Copyright design: Han Crielaard, year 2008, [www.designer-han.nl](http://www.designer-han.nl)





**EXAMPLE**

These building instructions are for personal usage and may not commercially used and/or sold. LEGO is a trademark of the LEGO group of companies, which does not sponsor, authorize or endorse these building instructions. Copyright design: Han Crielaard, year 2008, [www.designer-han.nl](http://www.designer-han.nl)

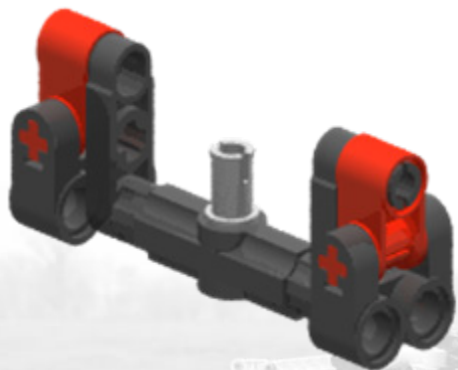




These building instructions are for personal usage and may not commercially used and/or sold. LEGO is a trademark of the LEGO group of companies which does not sponsor, authorize or endorse these building instructions. Copyright design: Han Crielaard, year 2008, [www.designer-han.nl](http://www.designer-han.nl)

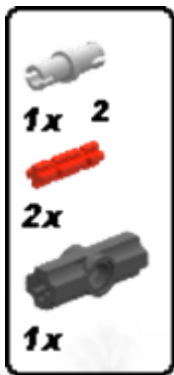
**EXAMPLE**

# Sub model: Tractor '8284' tow bar



## Part list





# Step 1



# Step 2

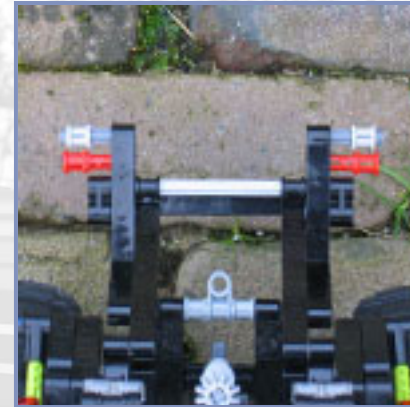
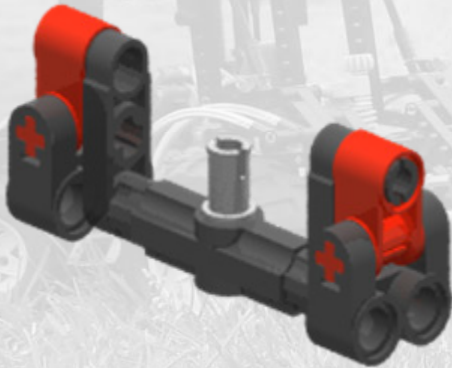
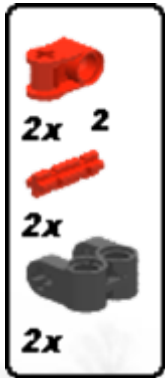


**EXAMPLE**

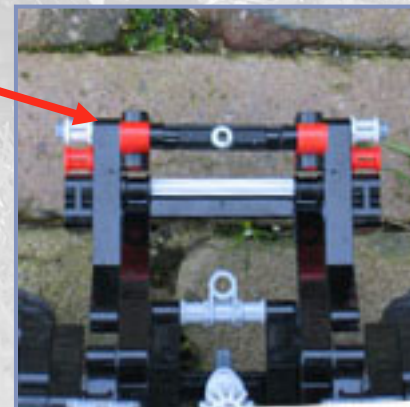


# Step 3

# Last step 4



Tractor without tow bar

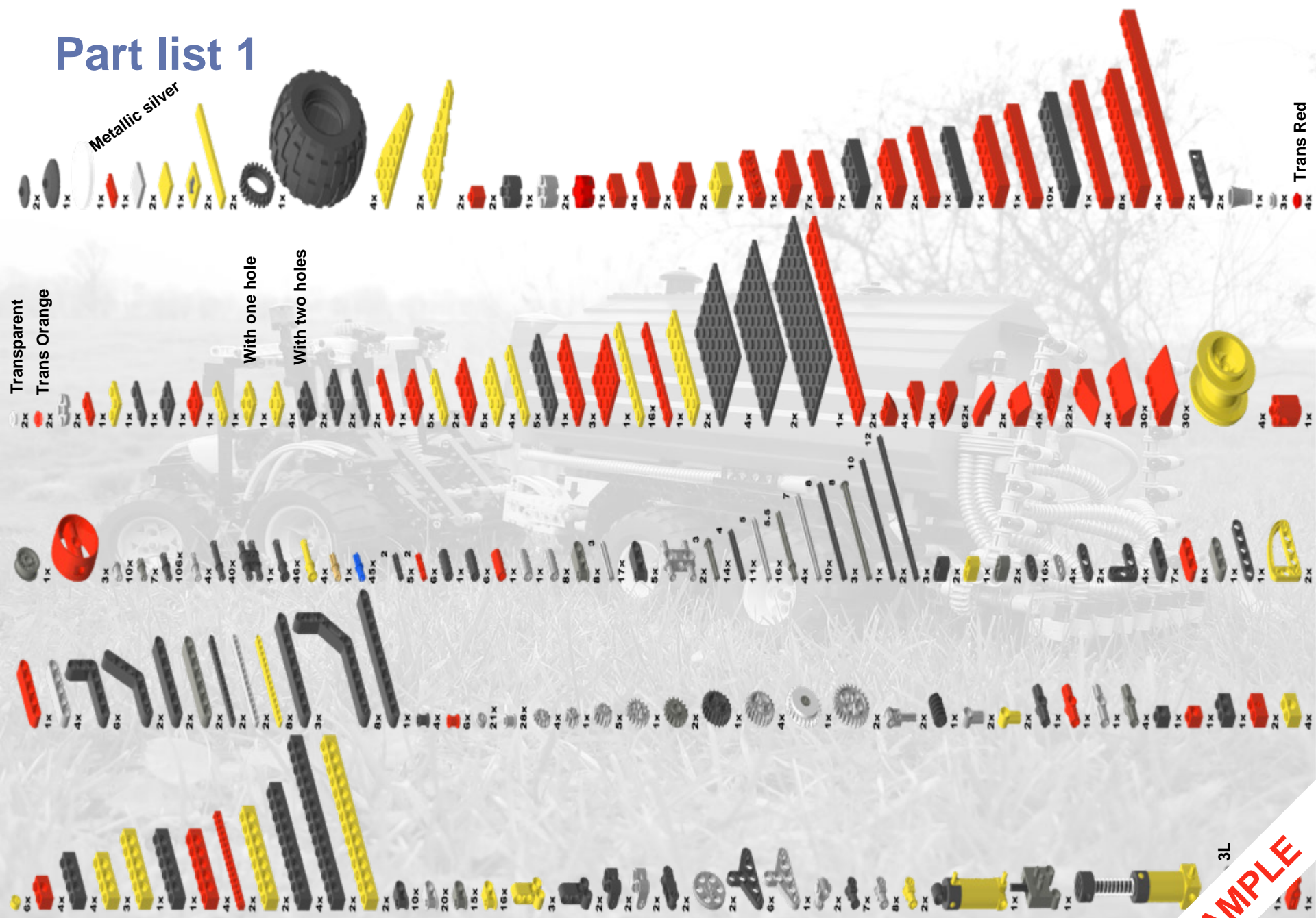


Tractor with tow bar

**EXAMPLE**



# Part list 1



These building instructions are for personal usage and may not commercially used and/or sold. LEGO is a trademark of the LEGO group of companies which does not sponsor, authorize or endorse these building instructions. Copyright design: Han Crielaard, year 2008, www.designer-han.nl

**EXAMPLE**

3L

# Part list 2

## Flexible parts needed:

2x pneumatic tube, 37cm, gray

1x pneumatic tube, 10cm, black

3x ribbed hose 11L, metallic silver

1x ribbed hose 13L, metallic silver

3x ribbed hose 24L, metallic silver



**EXAMPLE**



# Main model: Slurry Injection Tanker

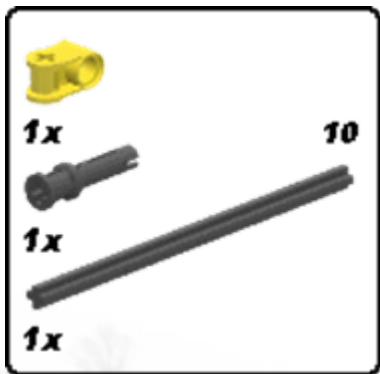


**EXAMPLE**

*These building instructions are for personal usage and may not commercially used and/or sold. LEGO is a trademark of the LEGO group of companies which does not sponsor, authorize or endorse these building instructions. Copyright design: Han Crielaard, year 2008, [www.designer-han.nl](http://www.designer-han.nl)*



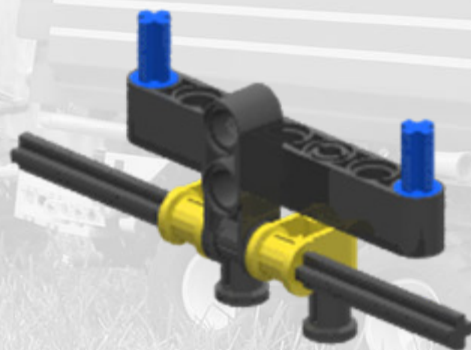
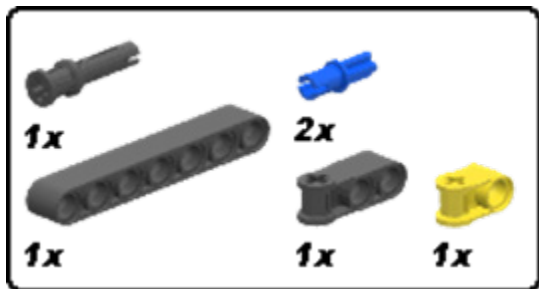
# Step 1



**EXAMPLE**

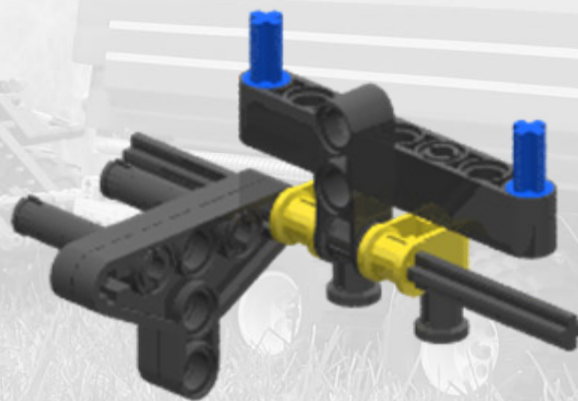


# Step 2



**EXAMPLE**

# Step 3



**EXAMPLE**



# Building guidelines for mounting ribbed hoses (see next step 80)



1. To assure seamless operation of both injector beams it is very important how each individual ribbed hose is mounted.
2. Both 24L ribbed hoses to the injector beams must be guided 'in between' the 11L and 13L ribbed hoses to the injector platform. (see red circles)
3. Notice as well that both 24L ribbed hoses are mounted at the 'tank-side' of the rear pump. The 11L and 13L ribbed hoses are mounted at the 'opposite tank-side'.



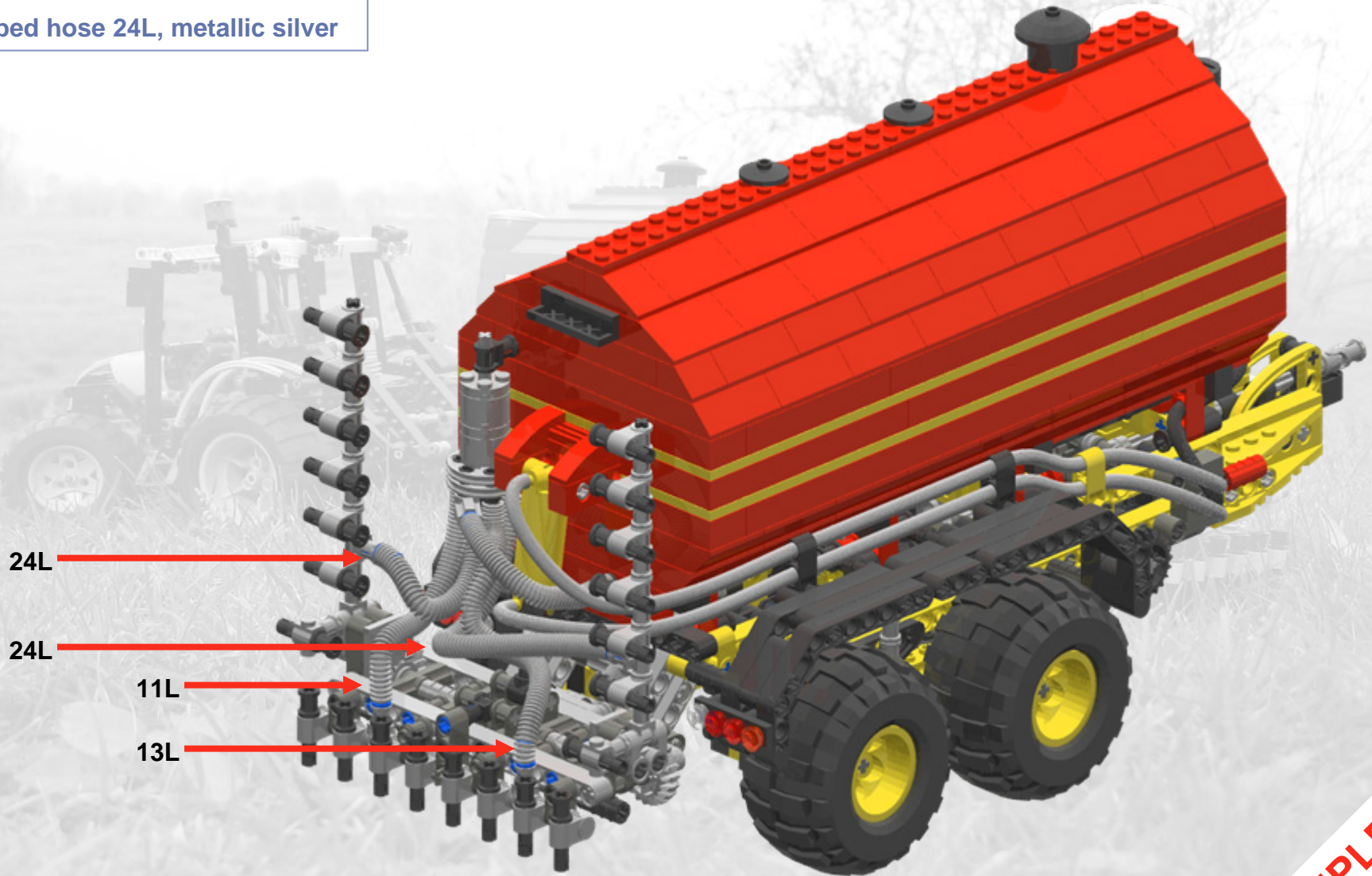
# Step 80

## Flexible parts needed:

1x ribbed hose 11L, metallic silver

1x ribbed hose 13L, metallic silver

2x ribbed hose 24L, metallic silver



**EXAMPLE**



# Step 81

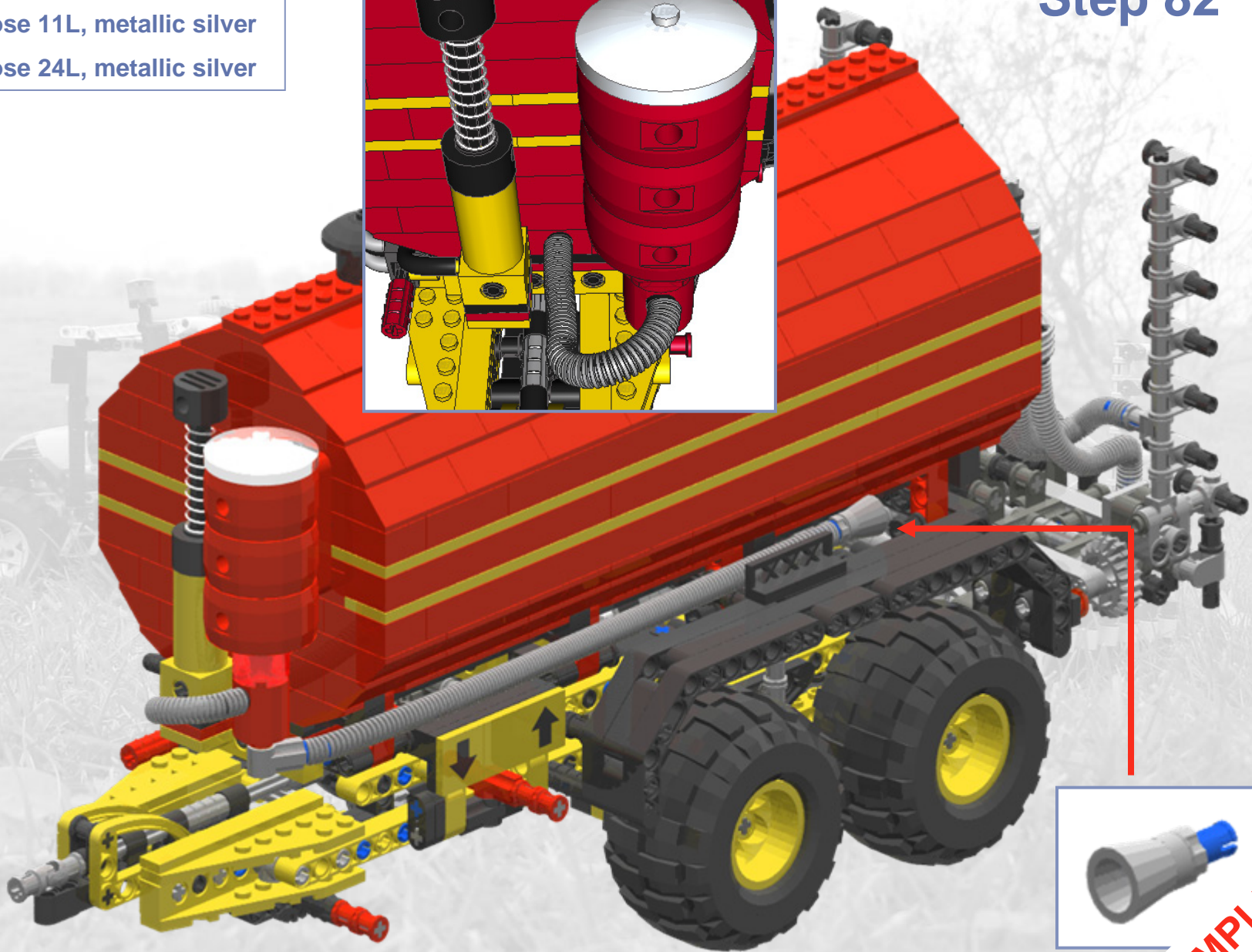
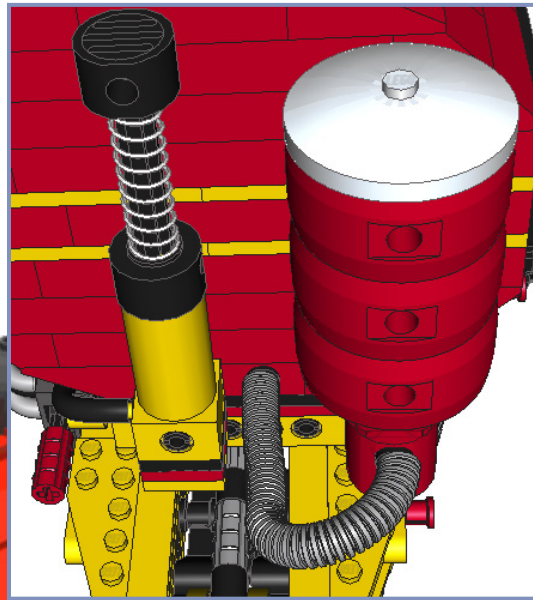


# Step 82

## Flexible parts needed:

1x ribbed hose 11L, metallic silver

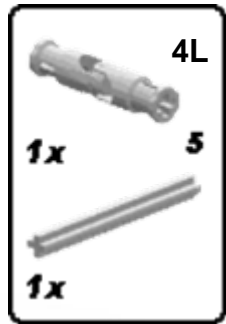
1x ribbed hose 24L, metallic silver



**EXAMPLE**



# Last step 83



Only necessary  
to connect to  
Tractor set 8284



**EXAMPLE**

