



Crane Truck 42009c

(crane, clamp & pallets with cargo)



Building instructions, part 1

EXAMPLE

These building instructions are for personal usage and may not commercially used and/or sold. LEGO is a trademark of the LEGO group of companies, which does not sponsor, authorize or endorse these building instructions. Copyright design: Han Crielaard, year 2015, www.designer-han.nl



Information



Build with 42009 parts only !



Crane truck 42009c

Dimensions

# Parts	Length	Width	Height	Weight
2.290	57 cm	16 cm	24 cm 49 cm*	2,1 kg

* With full raised crane

Technic functions

- 4 axle truck with working V8 engine, interconnected with a differential unit on the 3rd twin-wheel axle,
- Steering on the 1st, 2nd and 4th axle,
- Cabin ability to tilt, driven by 2 PF mini linear actuators,
- Outrigger extension at both sides between the 1st and 2nd axle.
- Crane: 1st & 2nd boom lifted by PF linear actuators, 2nd boom extension ~ 7 studs, crank operated slew of 360°, clamp can be opened/closed to lift pallets.

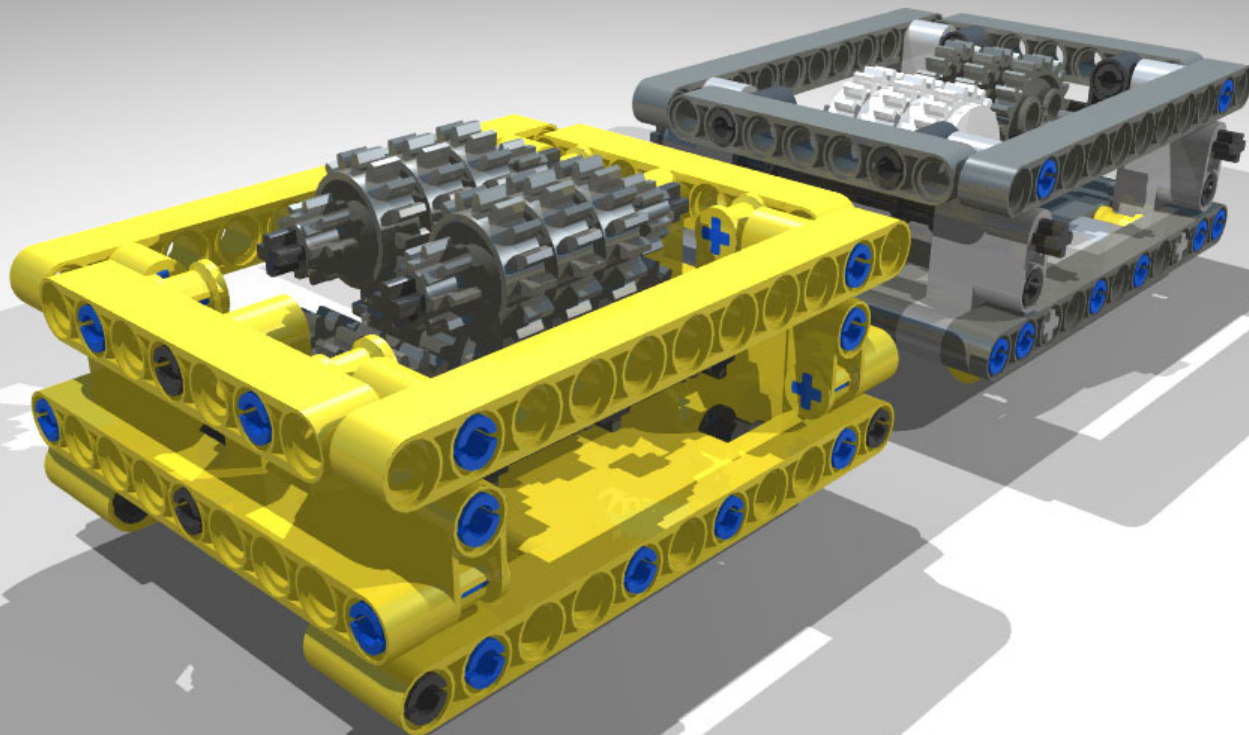
Non-Technic functions

- Cabin doors can open & close,
- Swing panels between front and rear wheels to access outrigger operation mechanism,
- Raise-able wind deflector,
- Pallets stackable on each other.

Appearance details

- Cabin interior with 3 seats and dashboard,
- Air compressors between wheels, exhaust pipes, air conditioning units, flashlights and horns,
- Cargo load ('gear-spindles').

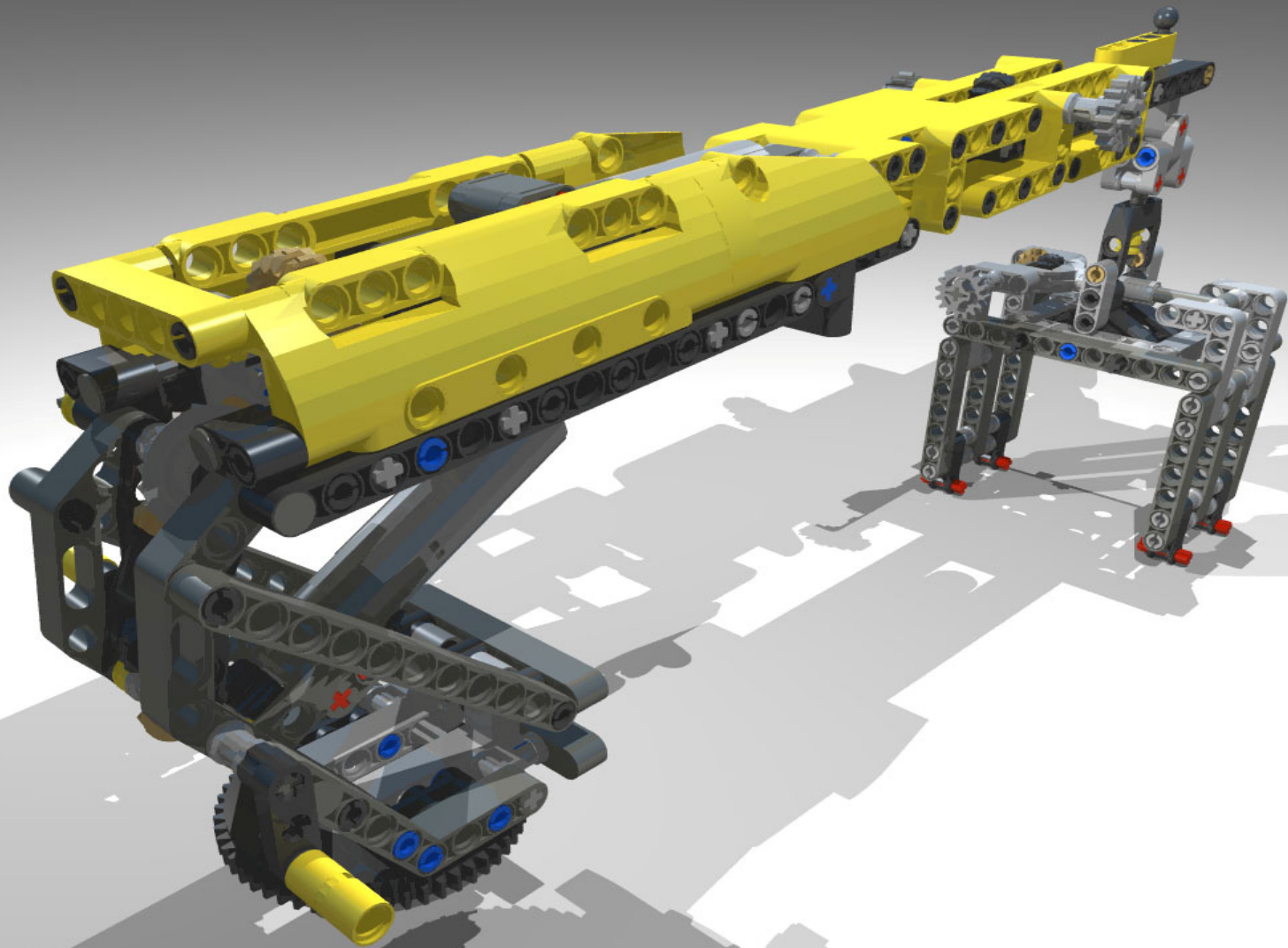




EXAMPLE

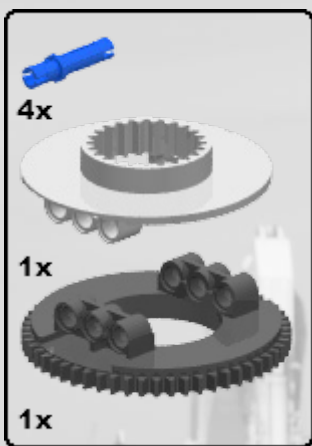
These building instructions are for personal usage and may not commercially used and/or sold. LEGO is a trademark of the LEGO group of companies, which does not sponsor, authorize or endorse these building instructions. Copyright design: Han Crielaard, year 2015, www.designer-han.nl



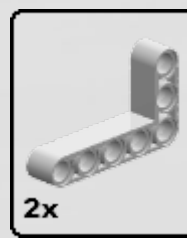
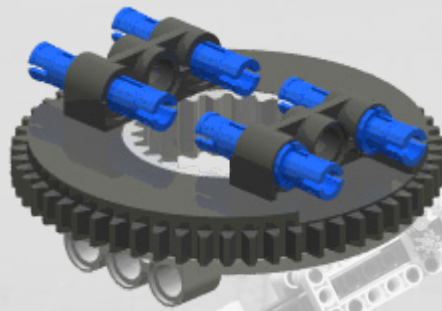


These building instructions are for personal usage and may not commercially used and/or sold. LEGO is a trademark of the LEGO group of companies which does not sponsor, authorize or endorse these building instructions. Copyright design: Han Crielaard, year 2015, www.designer-han.nl

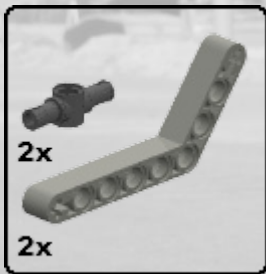
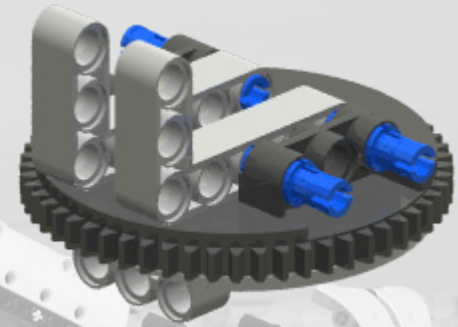
EXAMPLE



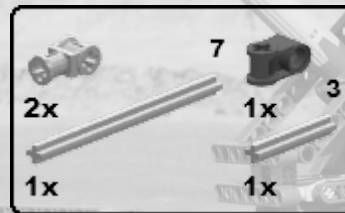
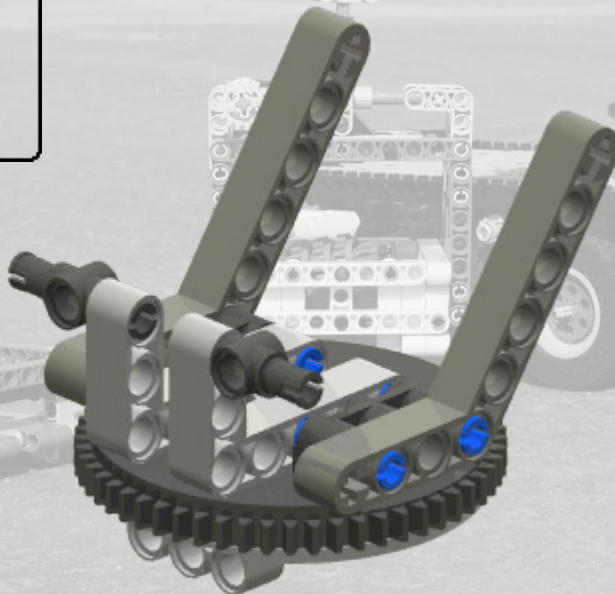
Step 1



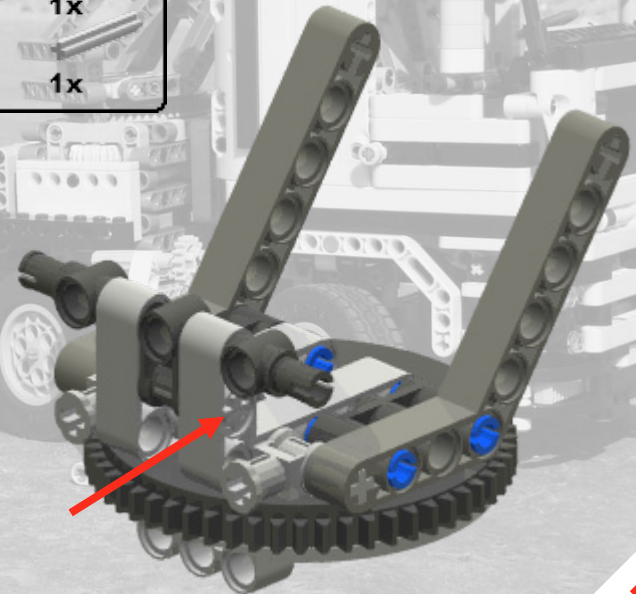
Step 2



Step 3



Step 4



EXAMPLE

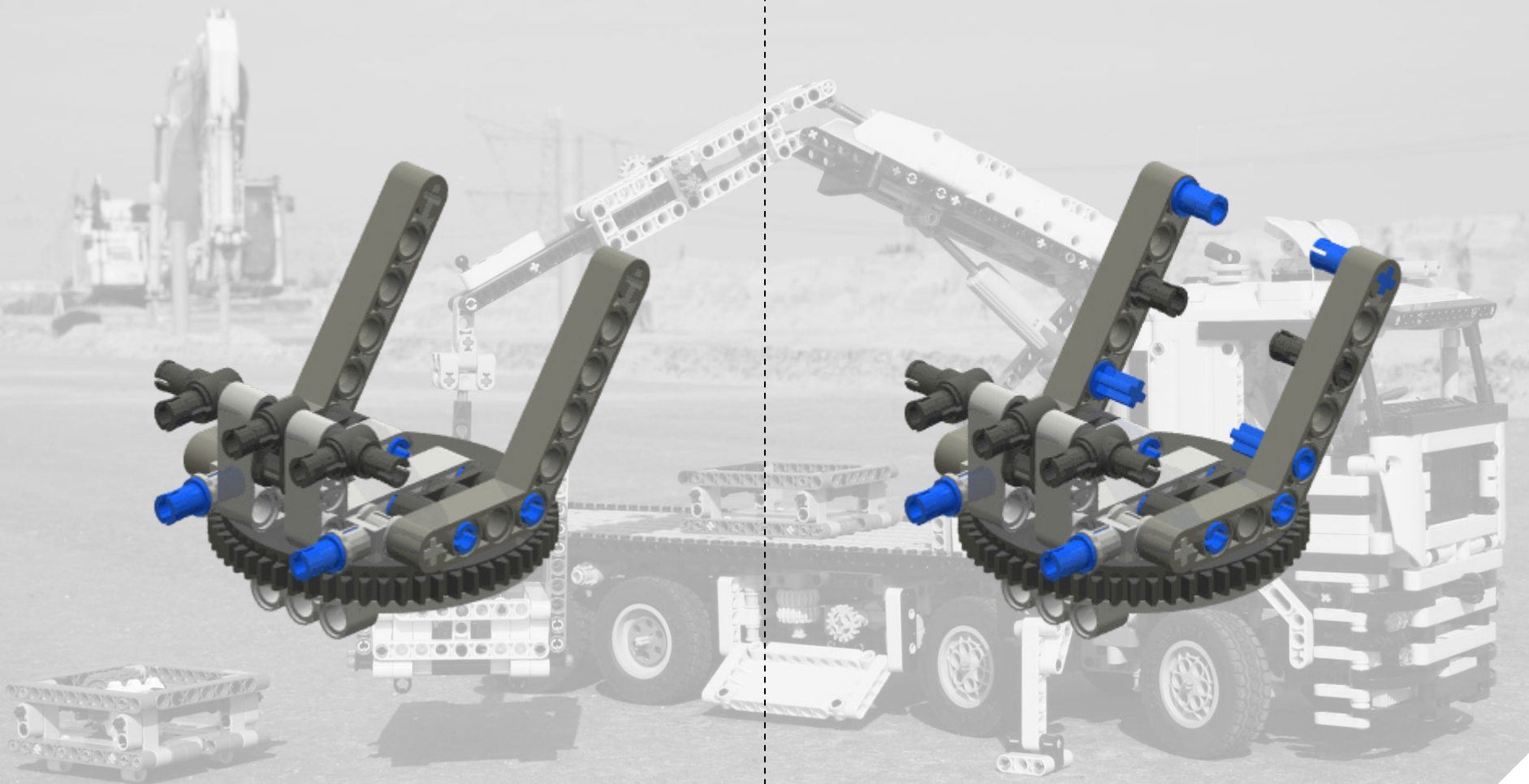


-  3x
-  2x

Step 5

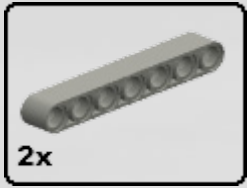
-  2x
-  4x

Step 6

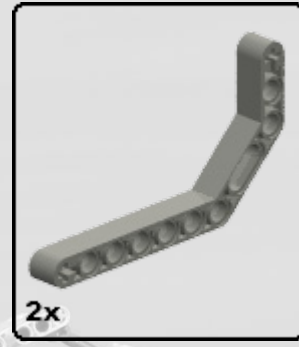


EXAMPLE

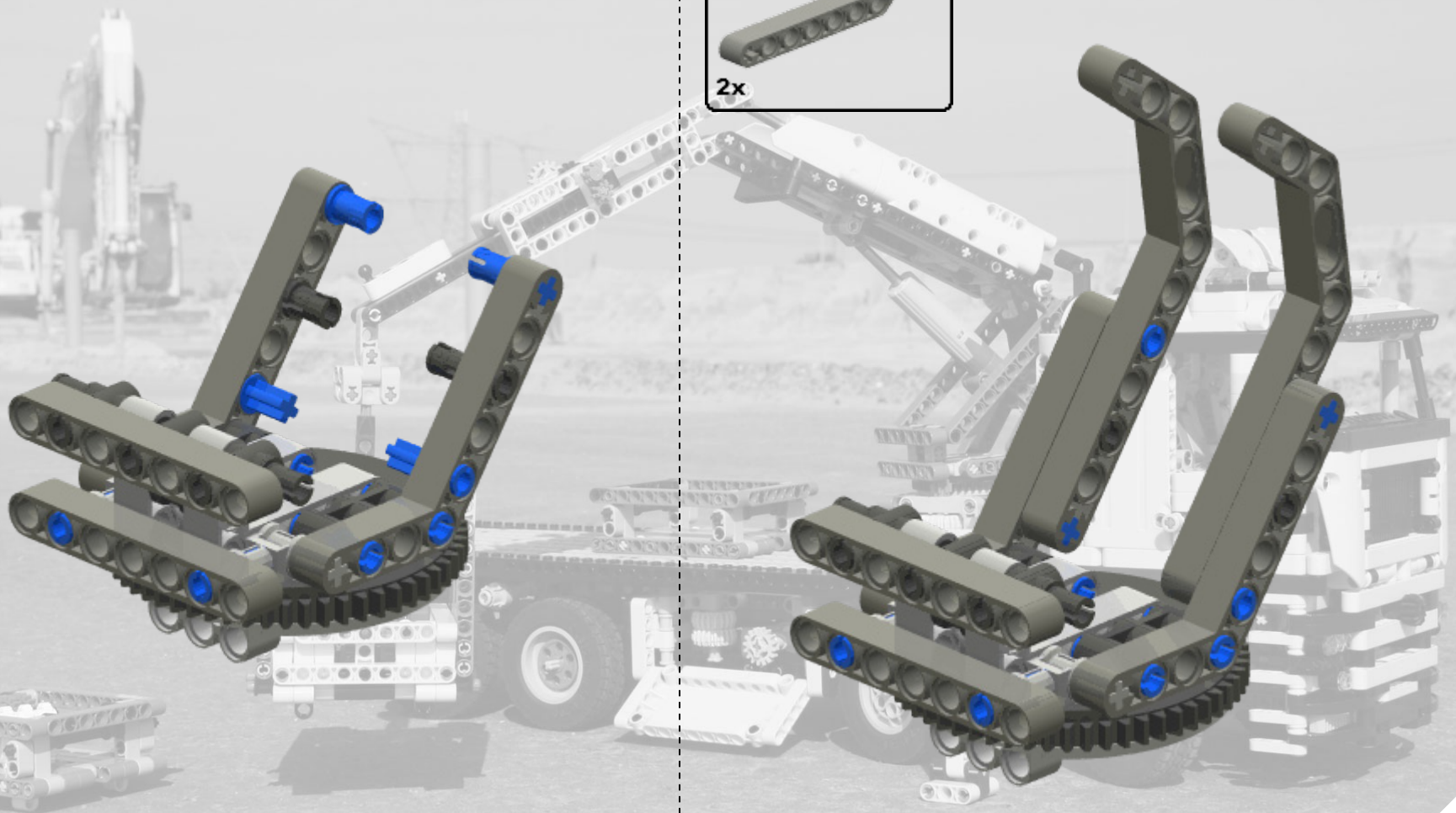




Step 7



Step 8

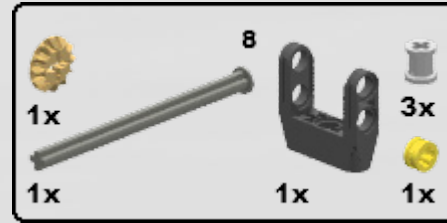


EXAMPLE

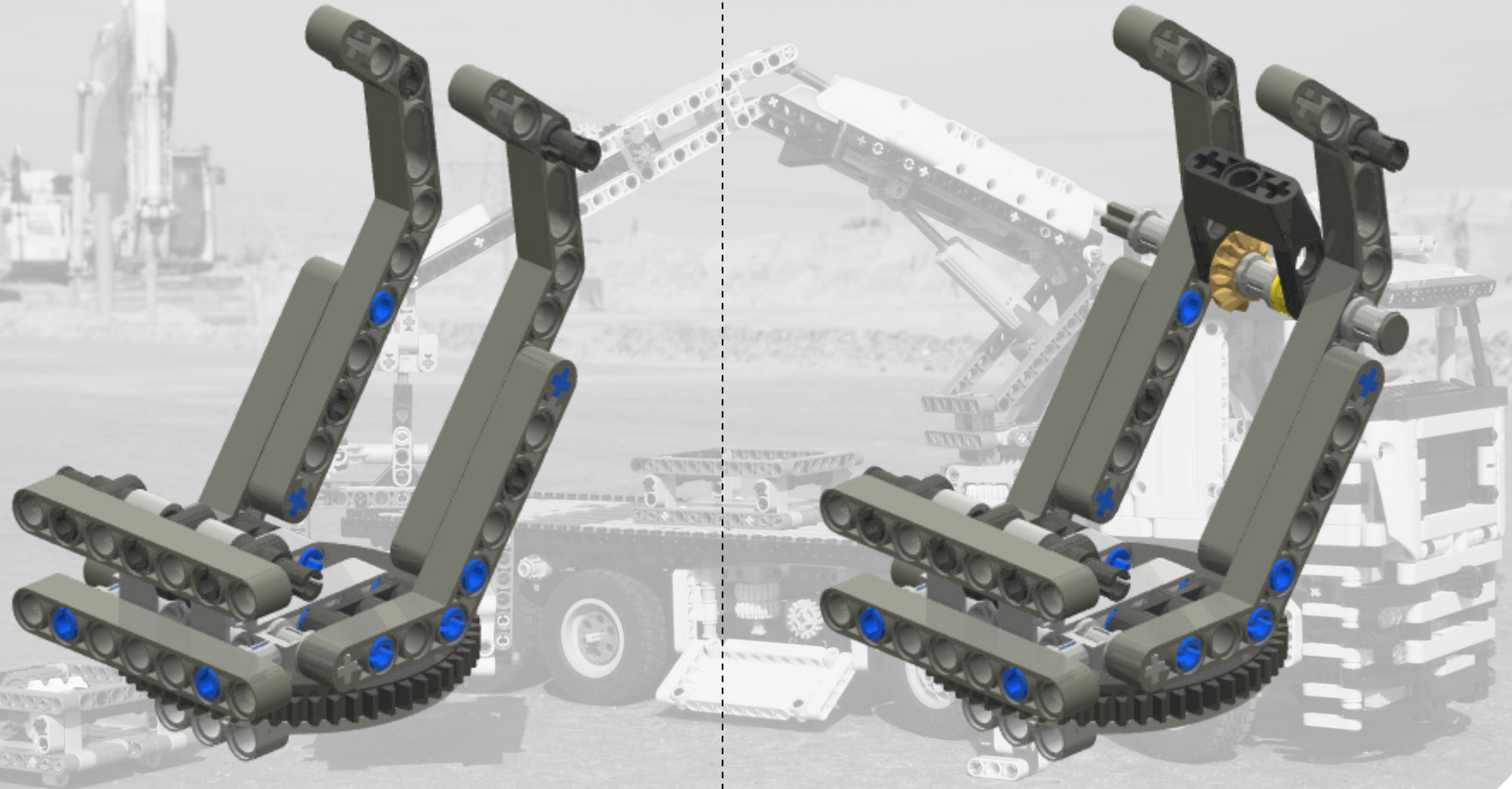




Step 9



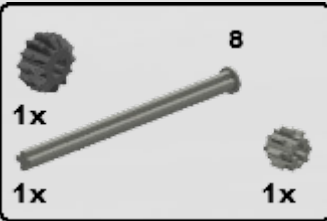
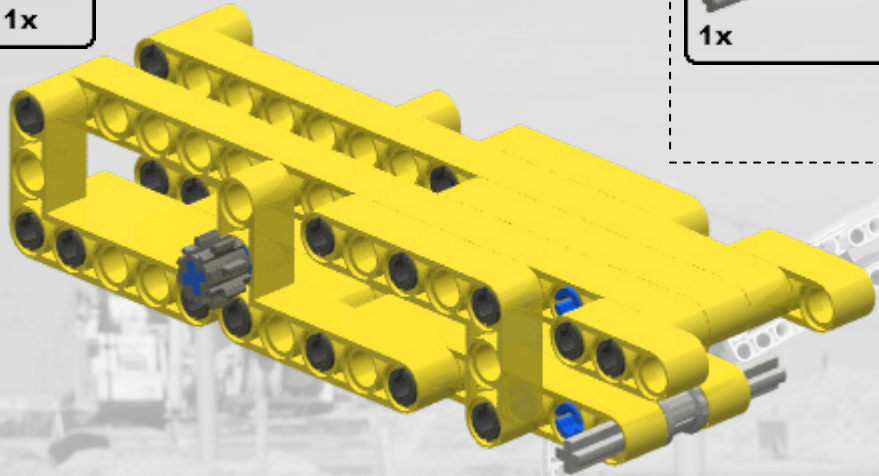
Step 10



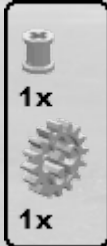
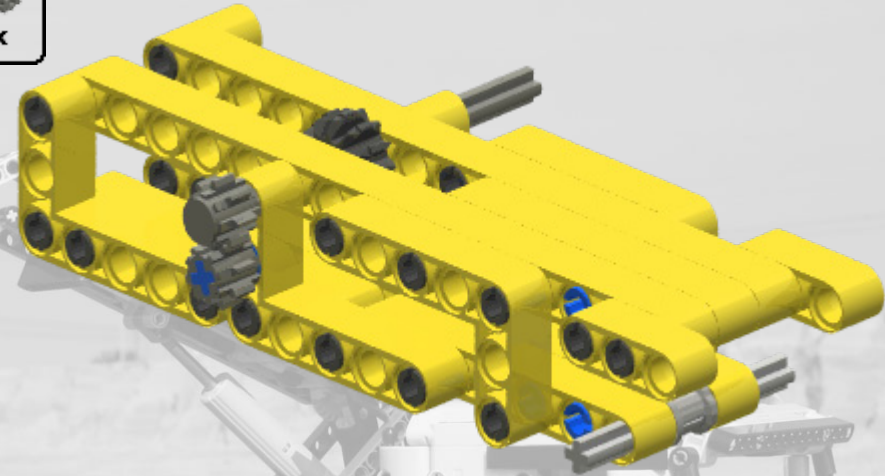
EXAMPLE



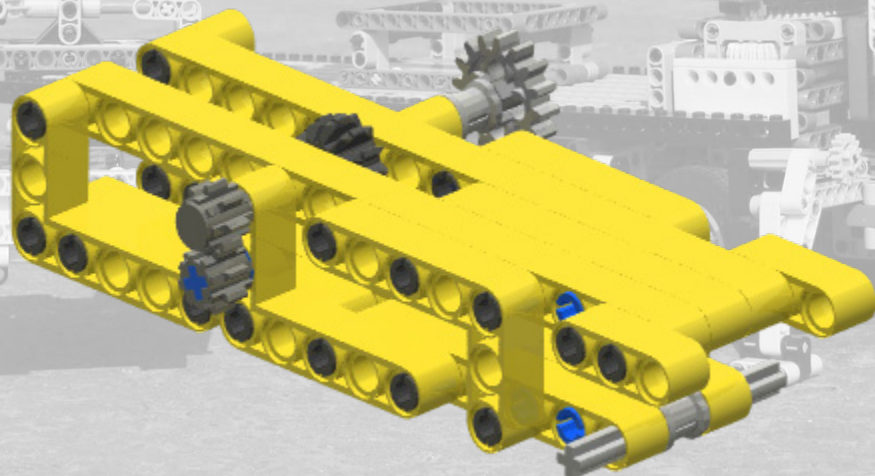
Step 13



Step 14



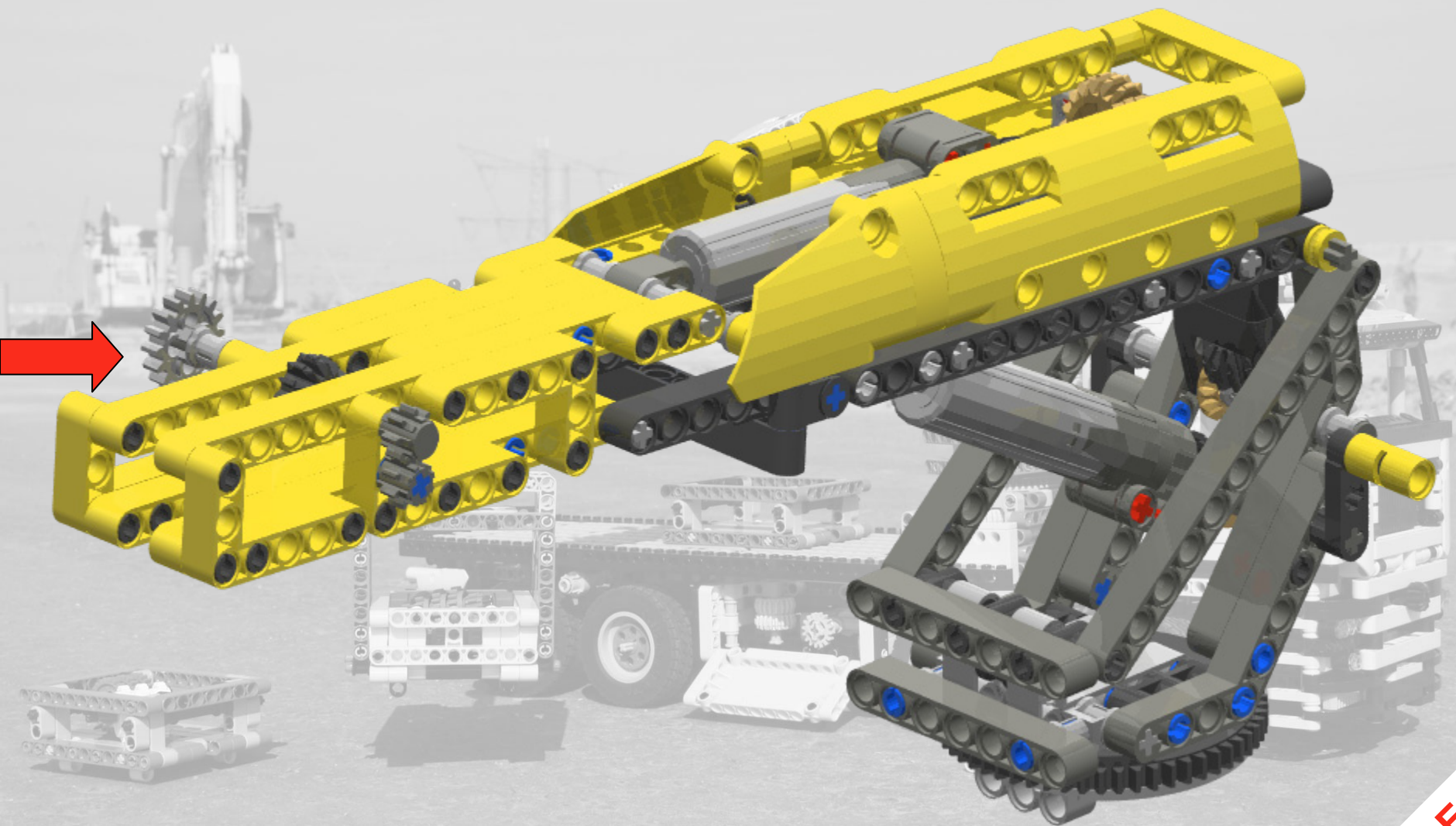
Last step 15



EXAMPLE

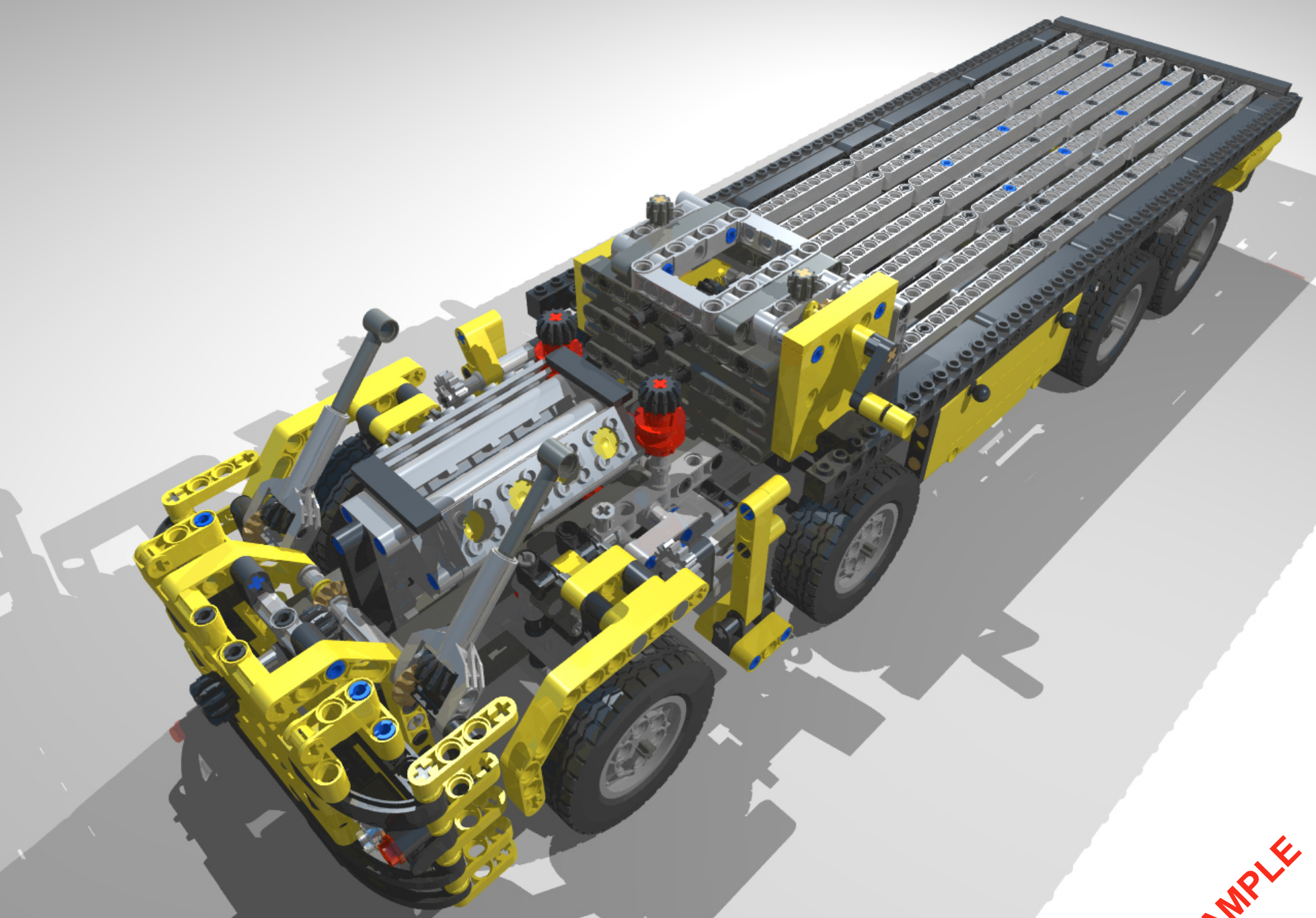


Step 21



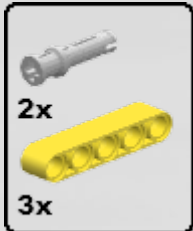
These building instructions are for personal usage and may not commercially used and/or sold. LEGO is a trademark of the LEGO group of companies which does not sponsor, authorize or endorse these building instructions. Copyright design: Han Crielaard, year 2015, www.designer-han.nl

EXAMPLE



These building instructions are for personal usage and may not commercially used and/or sold. LEGO is a trademark of the LEGO group of companies which does not sponsor, authorize or endorse these building instructions. Copyright design: Han Crielaard, year 2015, www.designer-han.nl

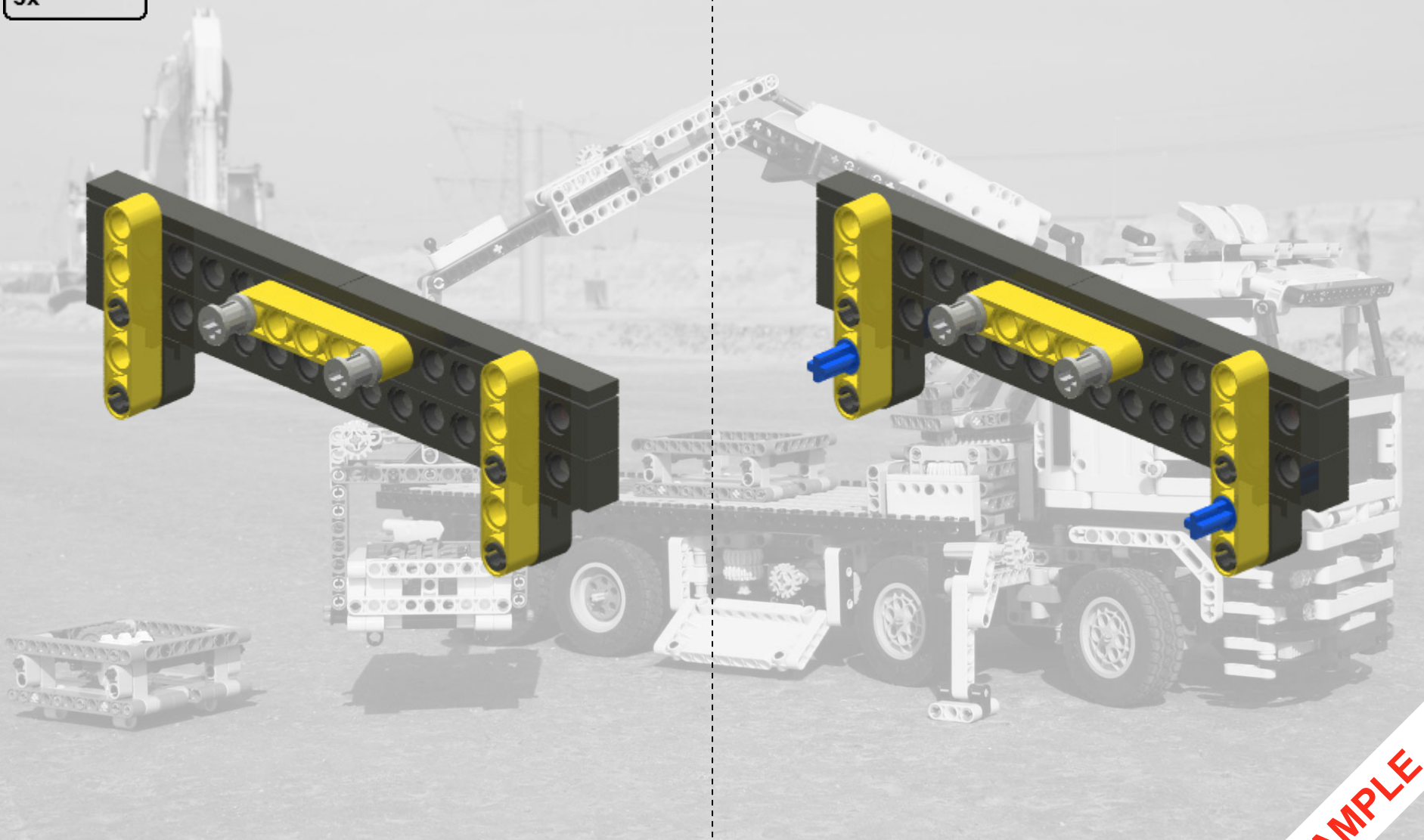
EXAMPLE



Step 5



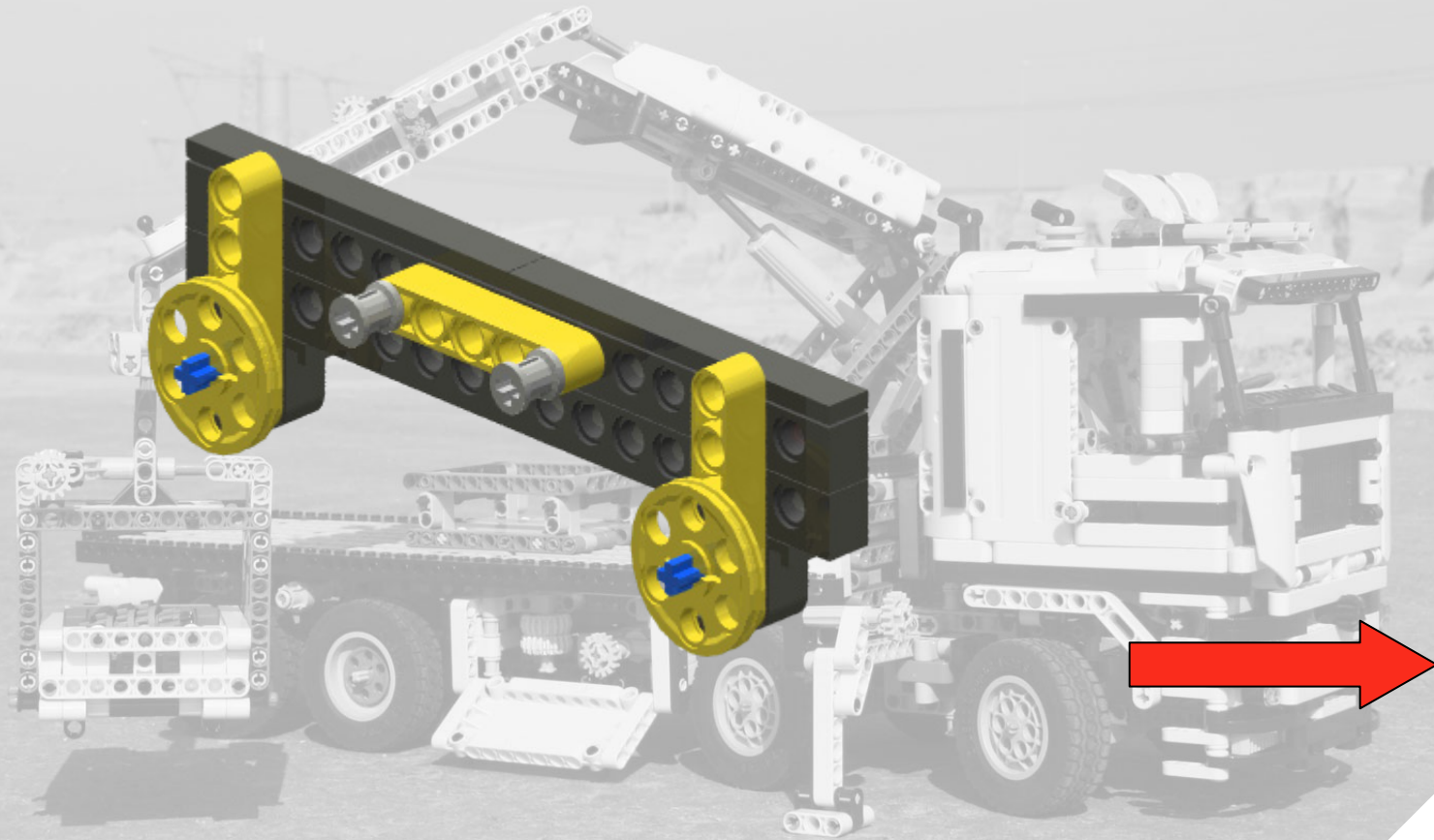
Step 6



EXAMPLE



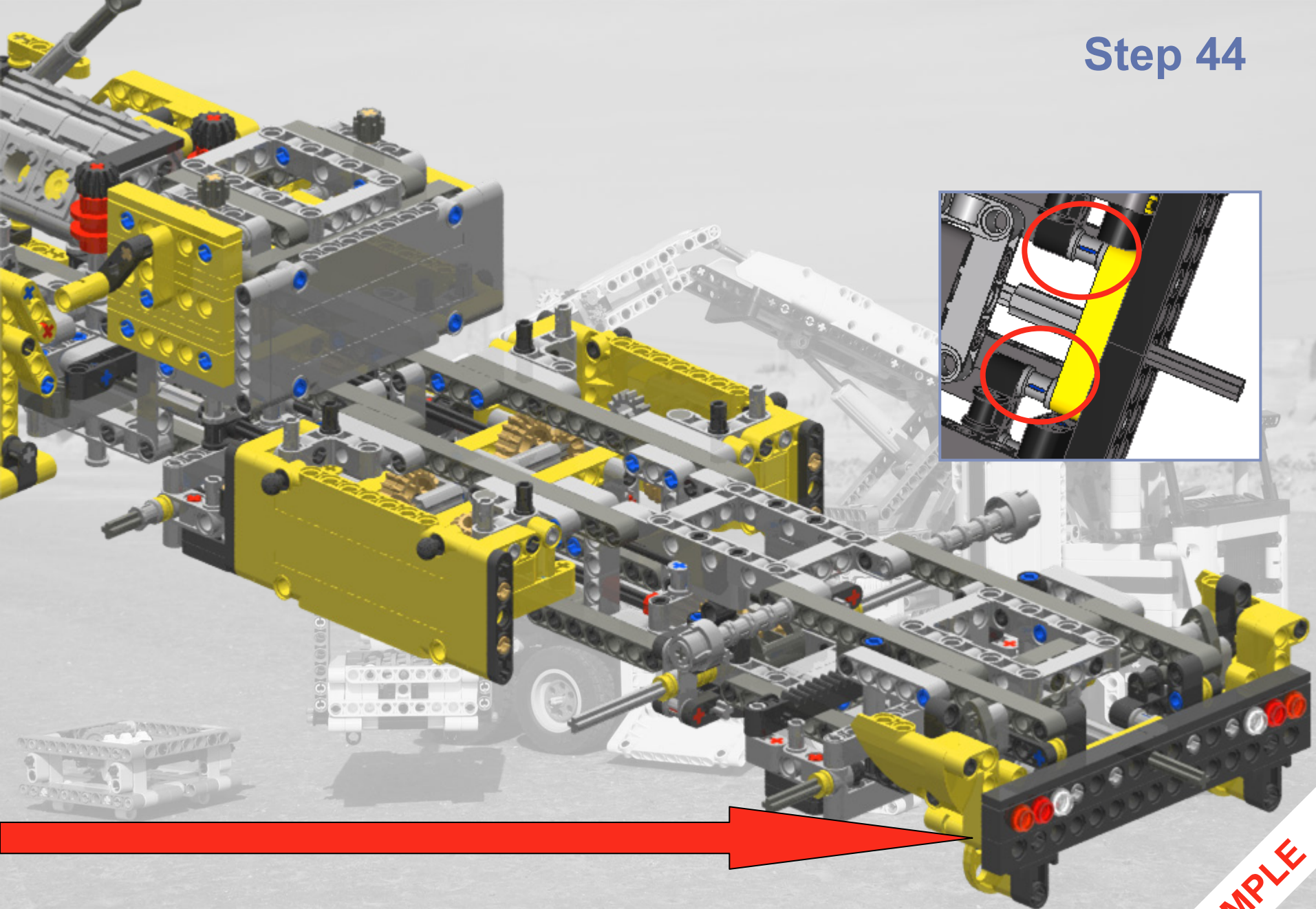
Last step 7



EXAMPLE



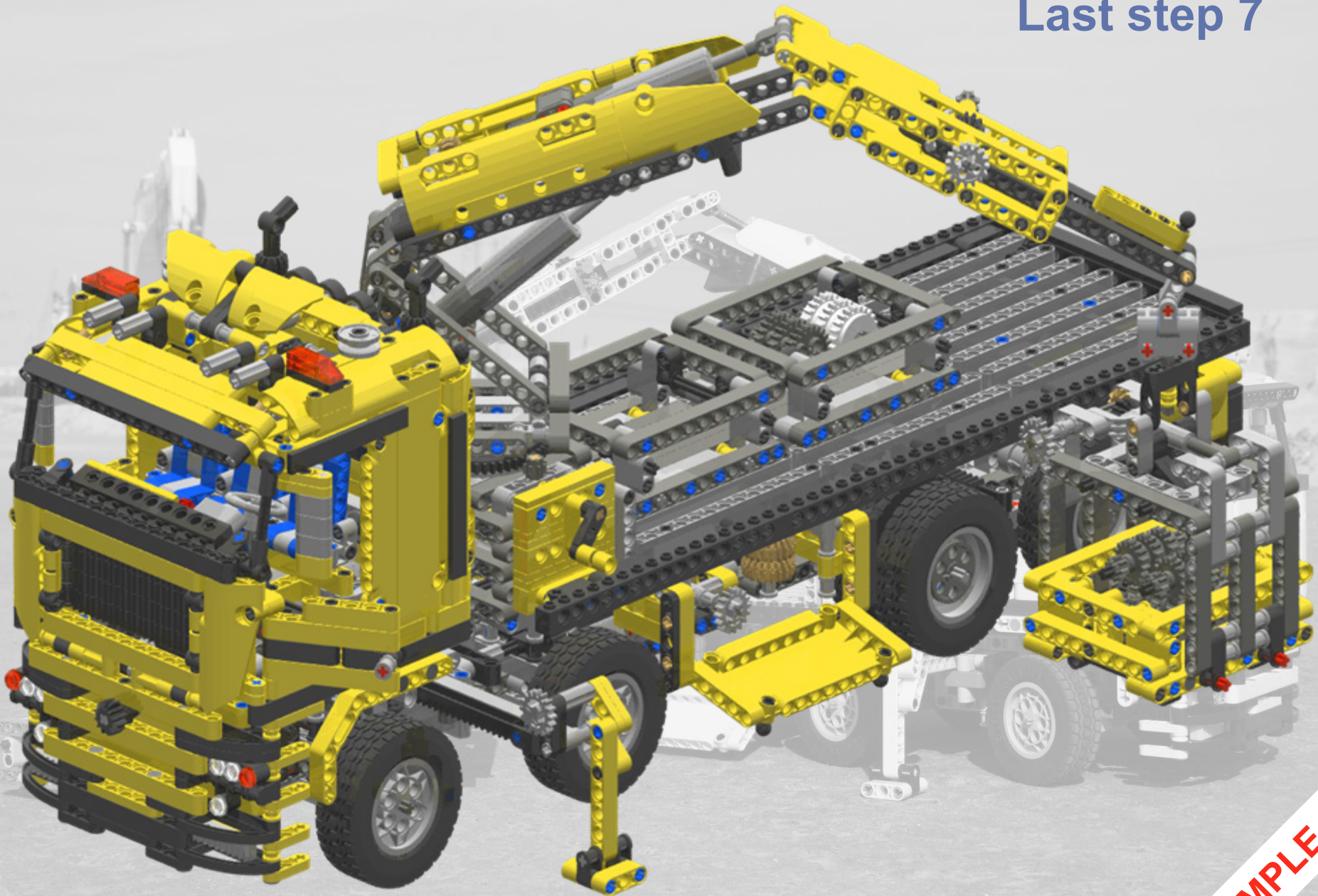
Step 44



These building instructions are for personal usage and may not commercially used and/or sold. LEGO is a trademark of the LEGO group of companies which does not sponsor, authorize or endorse these building instructions. Copyright design: Han Crielaard, year 2015, www.designer-han.nl

EXAMPLE

Last step 7



These building instructions are for personal usage and may not commercially used and/or sold. LEGO is a trademark of the LEGO group of companies which does not sponsor, authorize or endorse these building instructions. Copyright design: Han Crielaard, year 2015, www.designer-han.nl

EXAMPLE

