

# Cable-system Truck

( Snow Plow add-on)

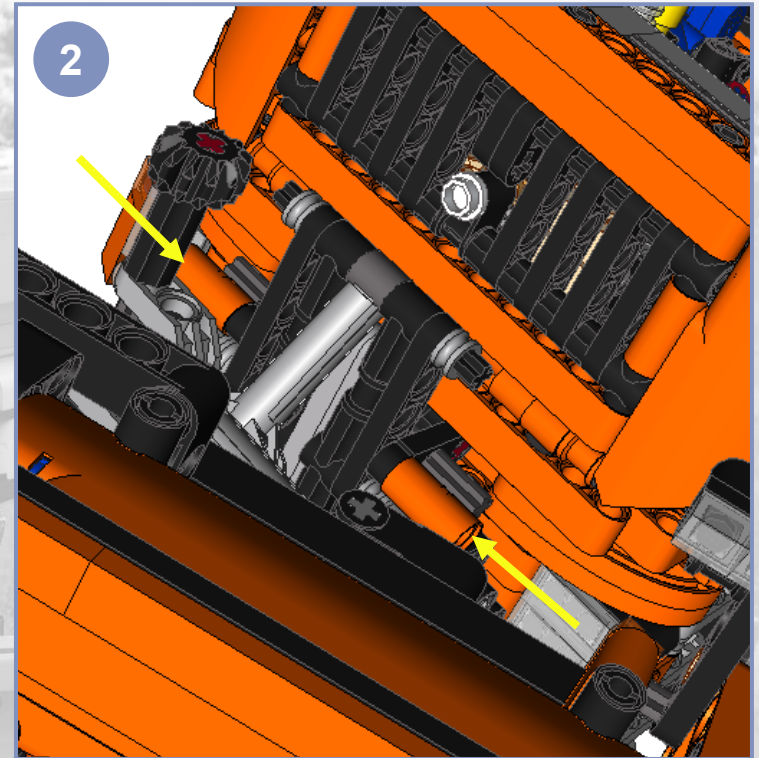
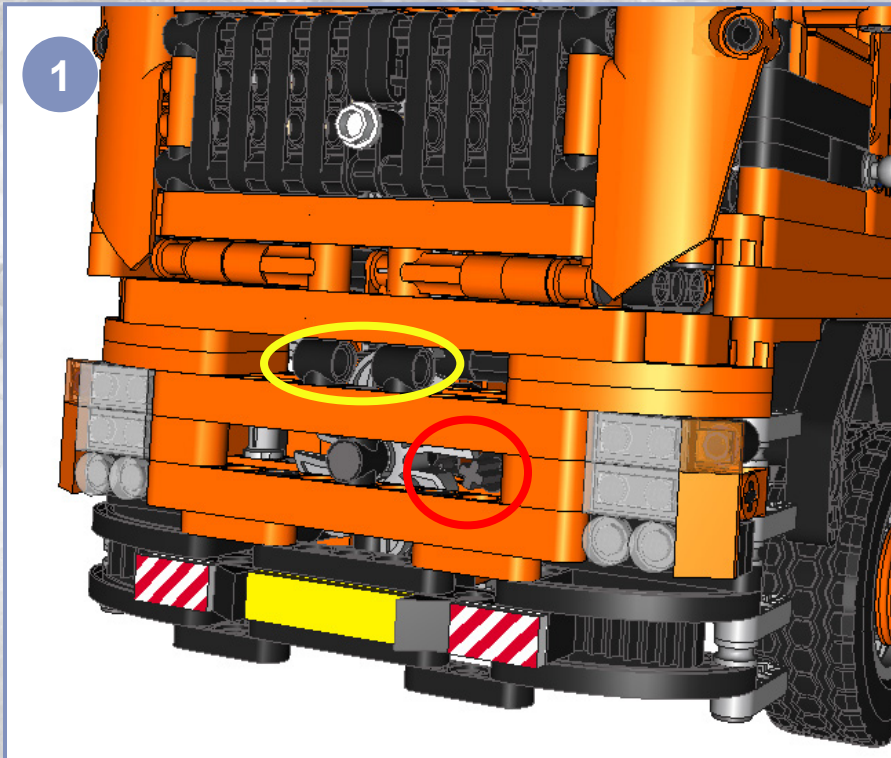


Building instructions, part 7

These building instructions are for personal usage and may not commercially used and/or sold. LEGO is a trademark of the LEGO group of companies, which does not sponsor, authorize or endorse these building instructions. Copyright design: Han Crielaard, year 2019, [www.designer-han.nl](http://www.designer-han.nl)

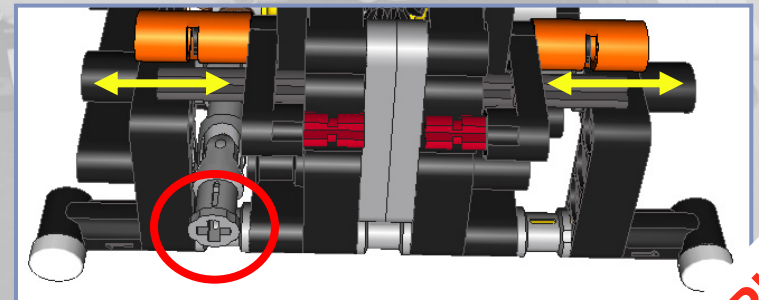
**EXAMPLE**

# How to connect the Snow Plow



**1: First remove the black 'bar'.**  
Connect the Snow Plow 'universal joint' to the front PTO of the Truck (red circle). PTO = Power Take Off

**2: Push the Snow Plow 'sliders' (yellow arrows) into the holes of both black 'pin with pin hole' (see yellow circle at picture 1 ).**



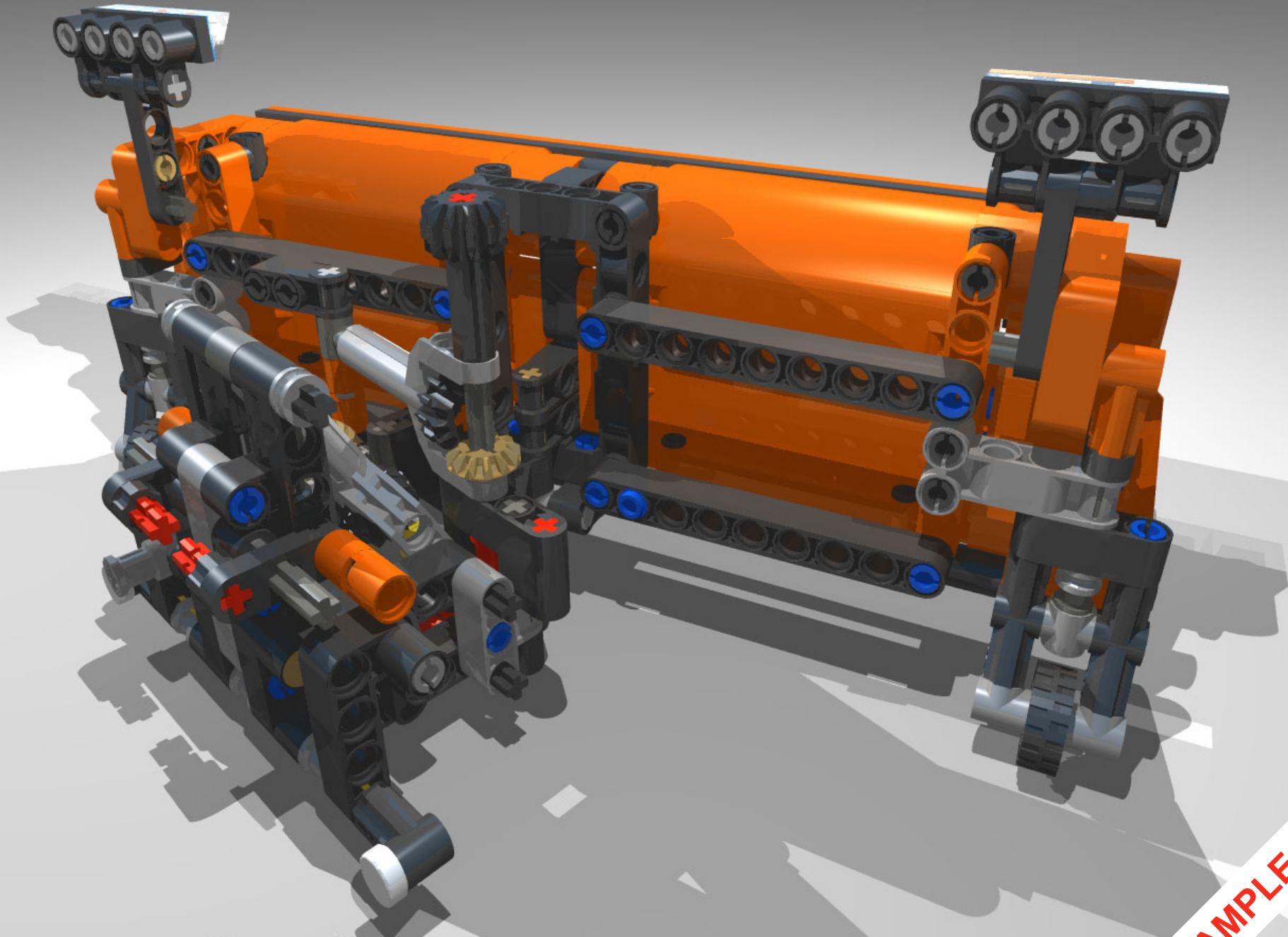




These building instructions are for personal usage and may not commercially used and/or sold. LEGO is a trademark of the LEGO group of companies which does not sponsor, authorize or endorse these building instructions. Copyright design: Han Crielaard, year 2019, [www.designer-han.nl](http://www.designer-han.nl)

**EXAMPLE**

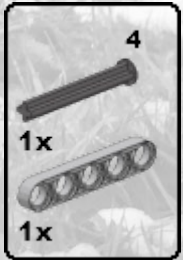




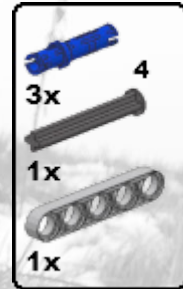
**EXAMPLE**

These building instructions are for personal usage and may not commercially used and/or sold. LEGO is a trademark of the LEGO group of companies which does not sponsor, authorize or endorse these building instructions. Copyright design: Han Crielaard, year 2019, [www.designer-han.nl](http://www.designer-han.nl)

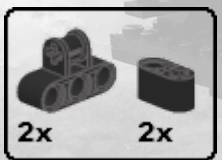




# Step 1



# Step 2



# Step 3

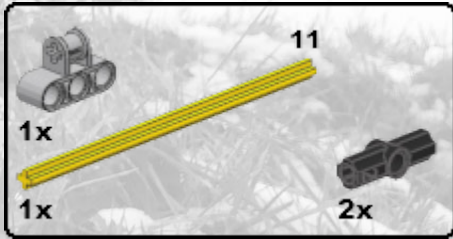


# Step 4

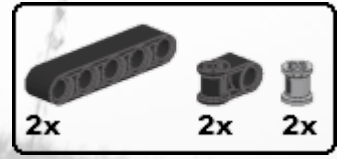
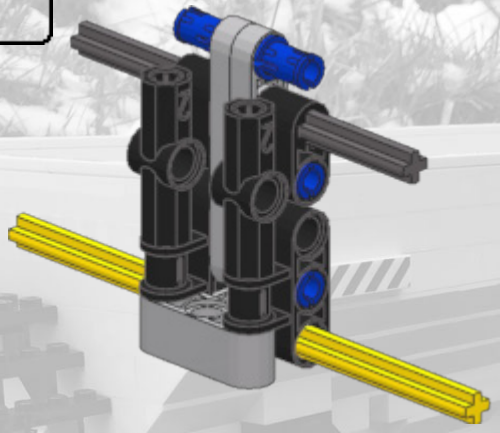


**EXAMPLE**

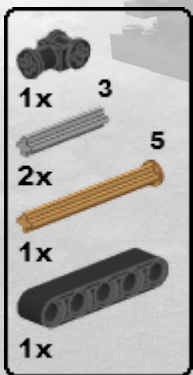
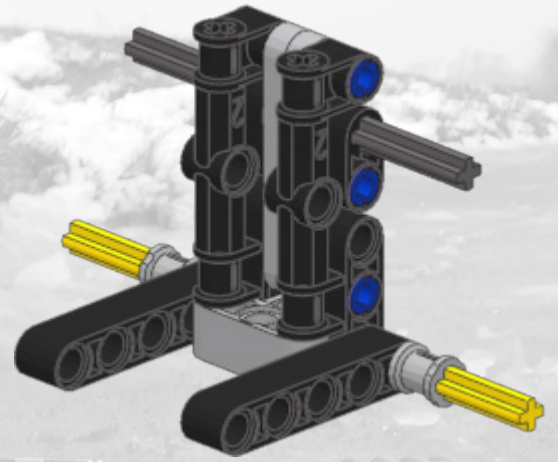




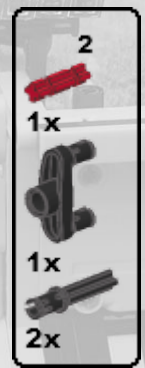
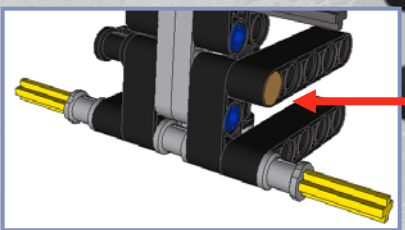
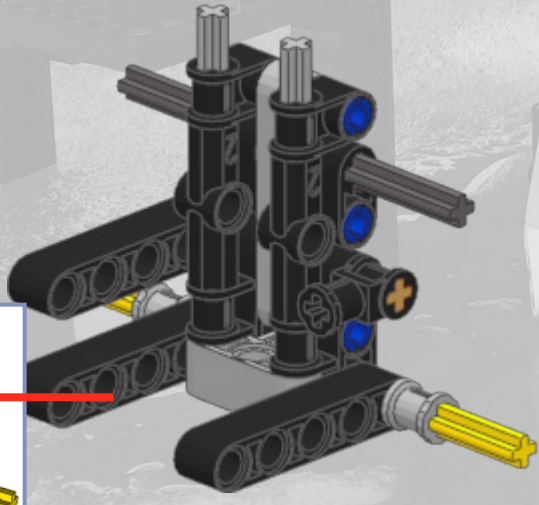
# Step 5



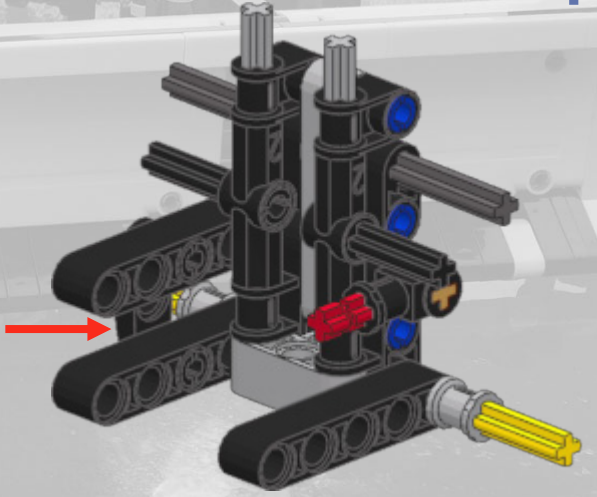
# Step 6



# Step 7



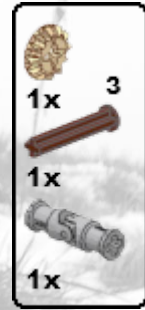
# Step 8



**EXAMPLE**



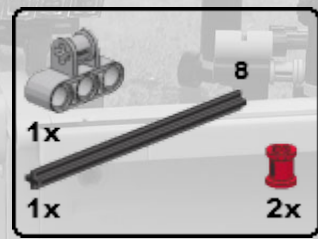
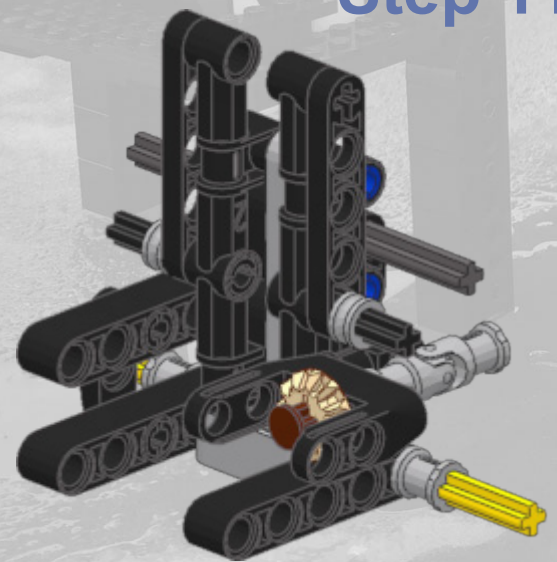
# Step 9



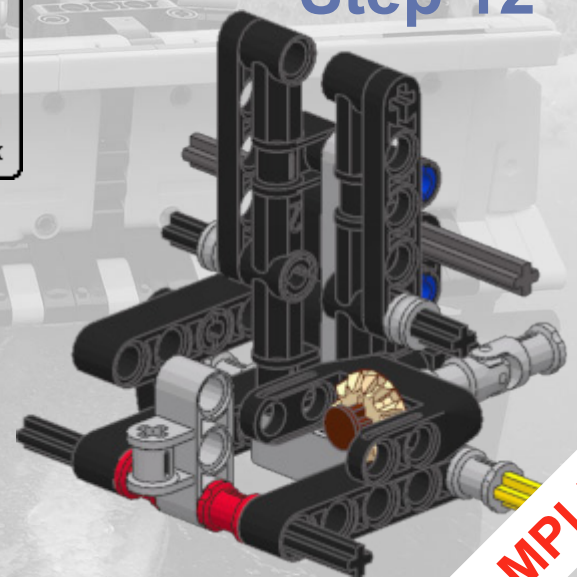
# Step 10



# Step 11

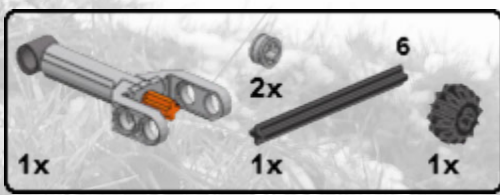


# Step 12

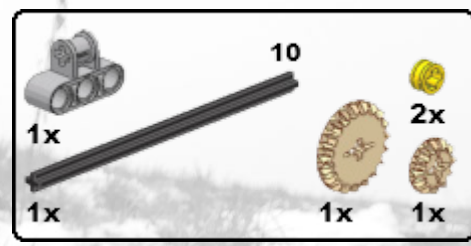
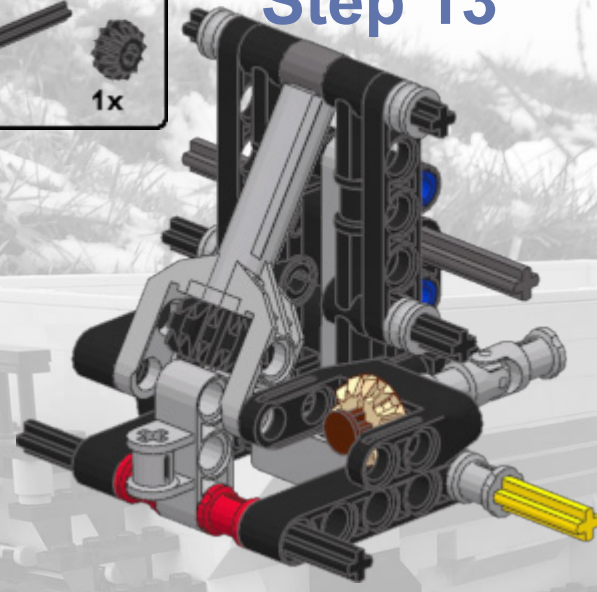


**EXAMPLE**

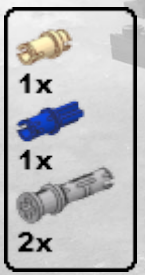
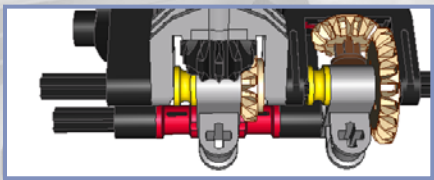
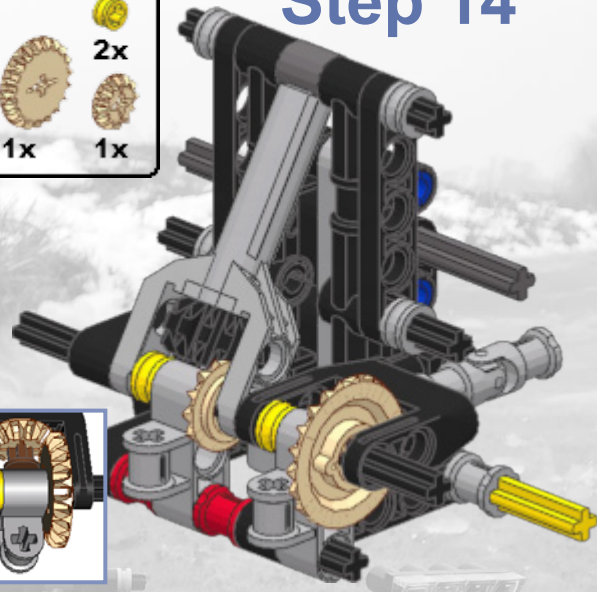




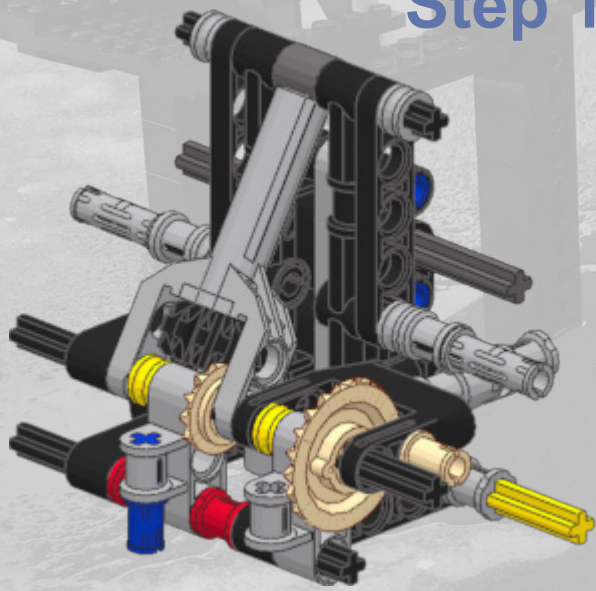
### Step 13



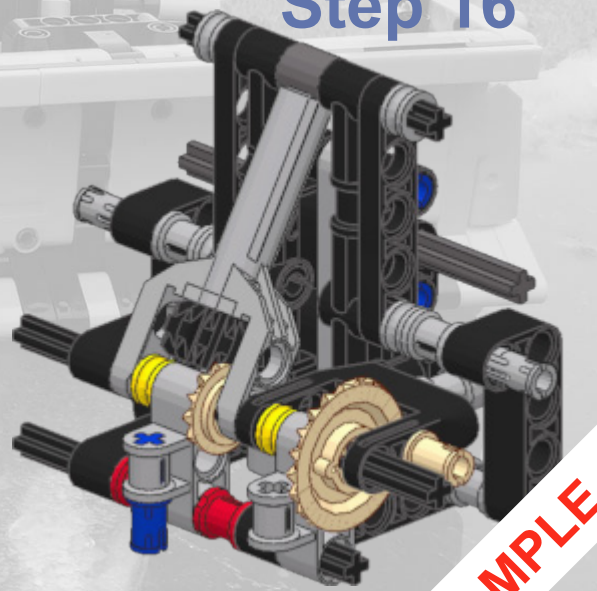
### Step 14



### Step 15



### Step 16

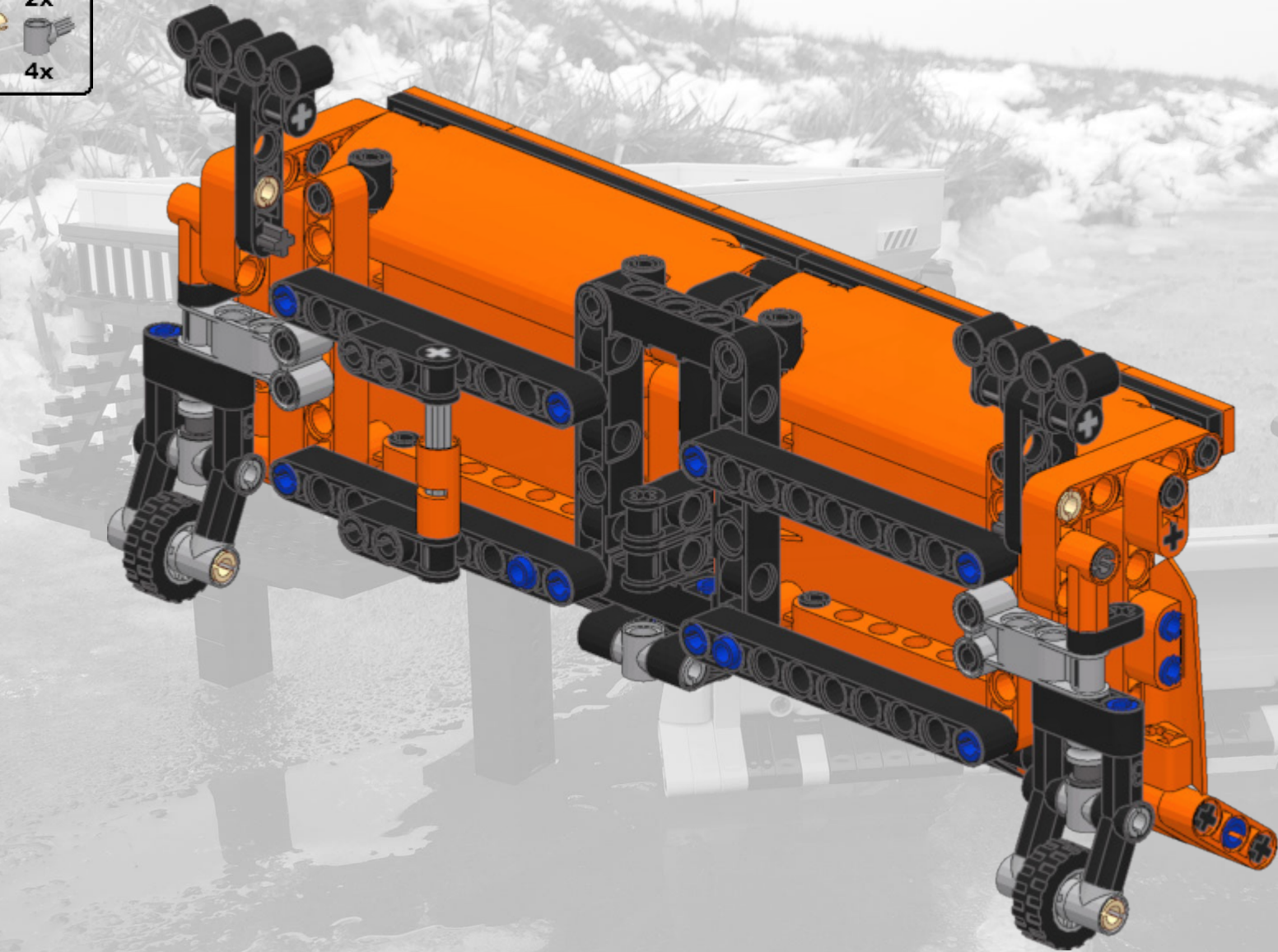


**EXAMPLE**



# Step 38

Tyre 6.4/75 x 8 (#92409), Rim 8x11.2 (#42610)

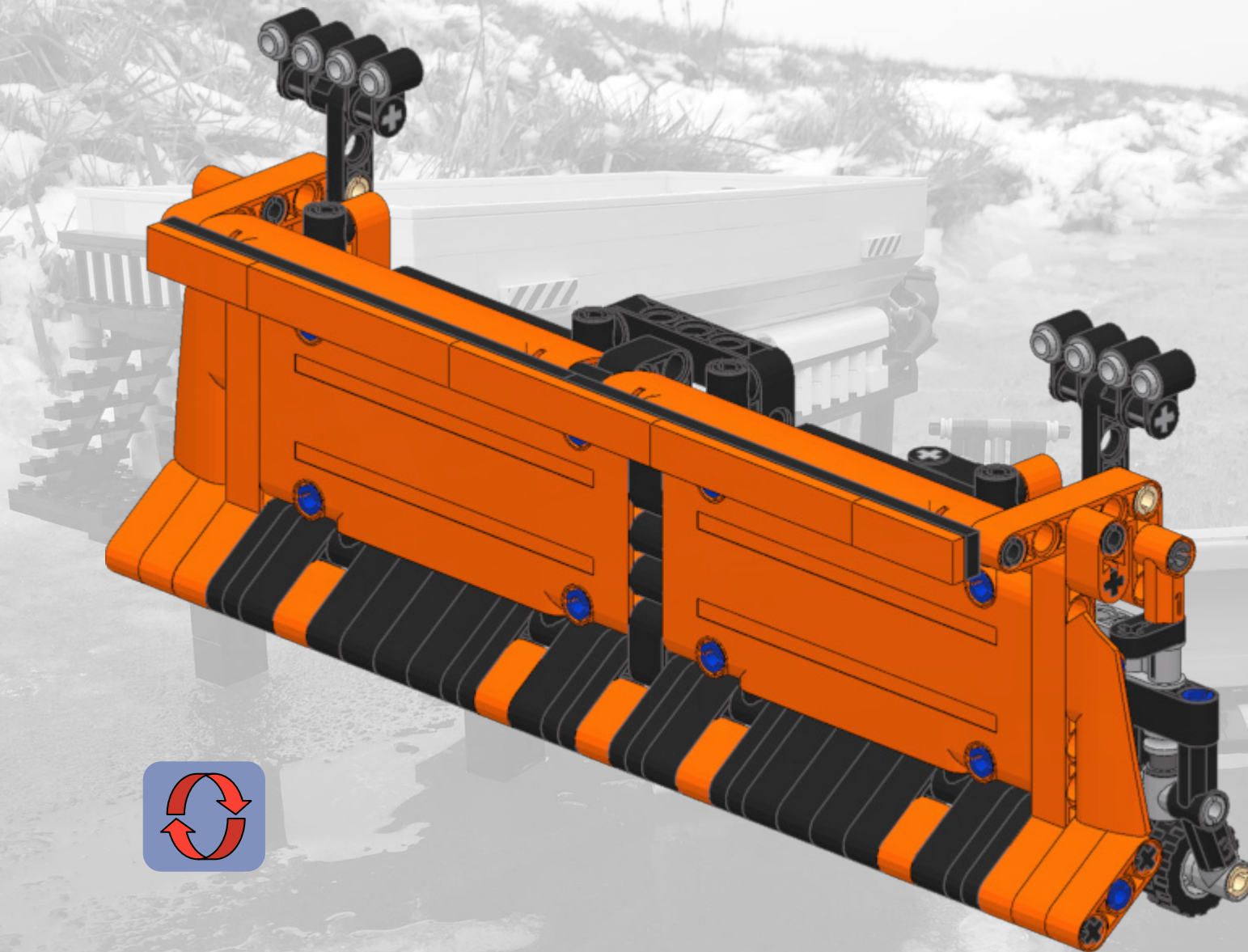


**EXAMPLE**



# Step 39

8x



**EXAMPLE**

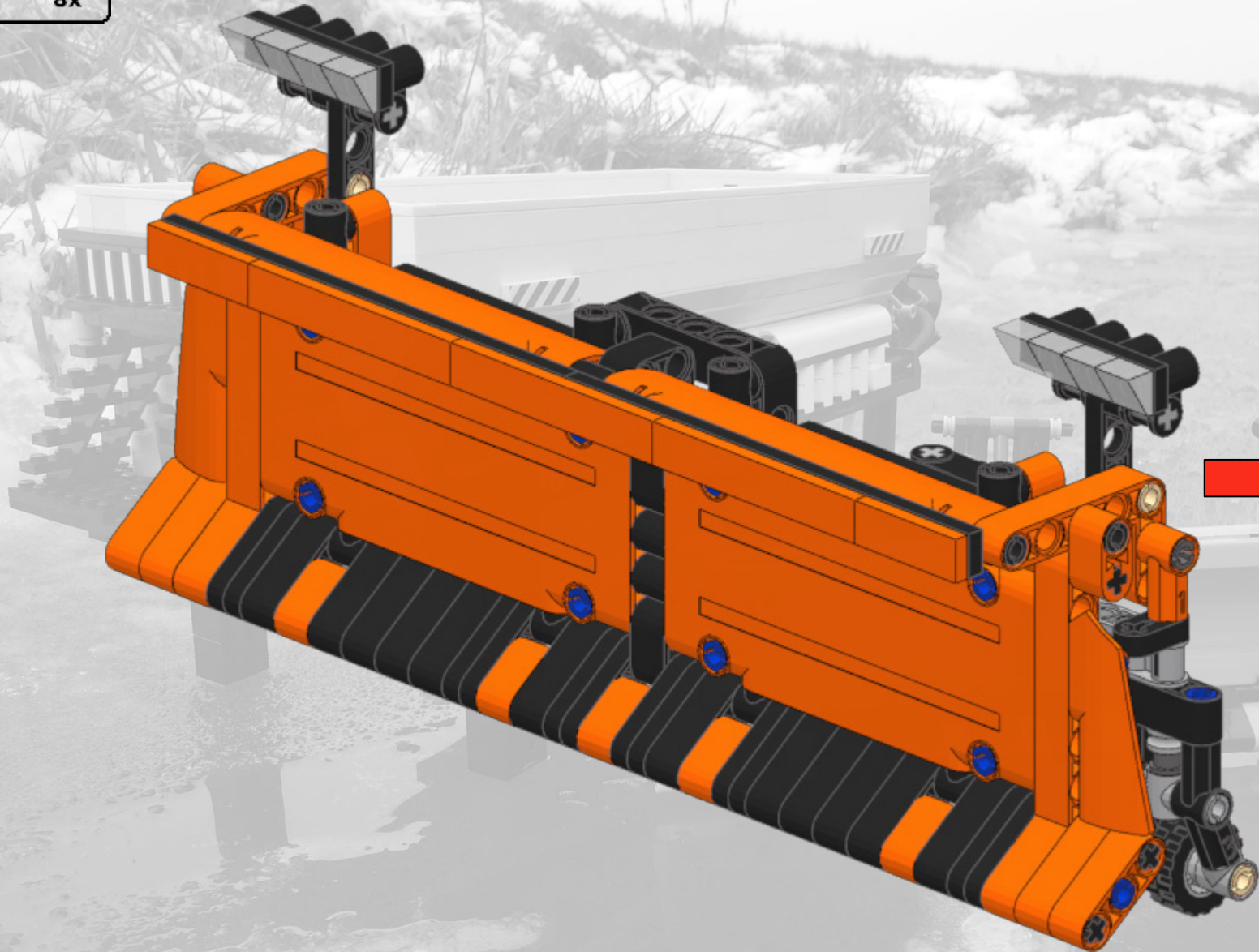




# Last step 40

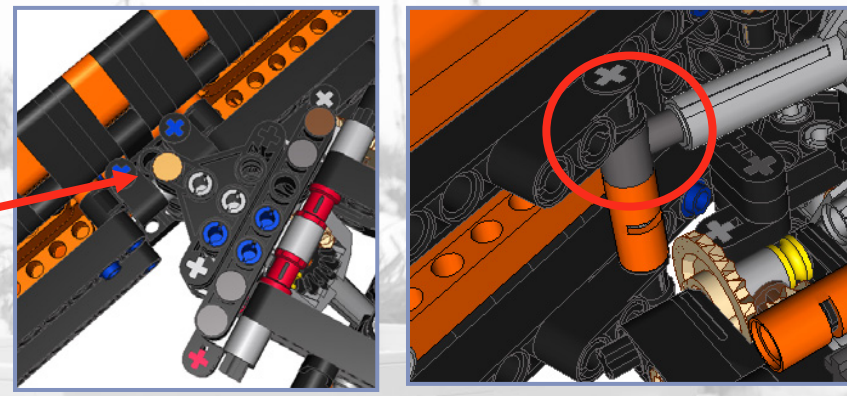


Transparent slope (#54200)



**EXAMPLE**

# Last step 23

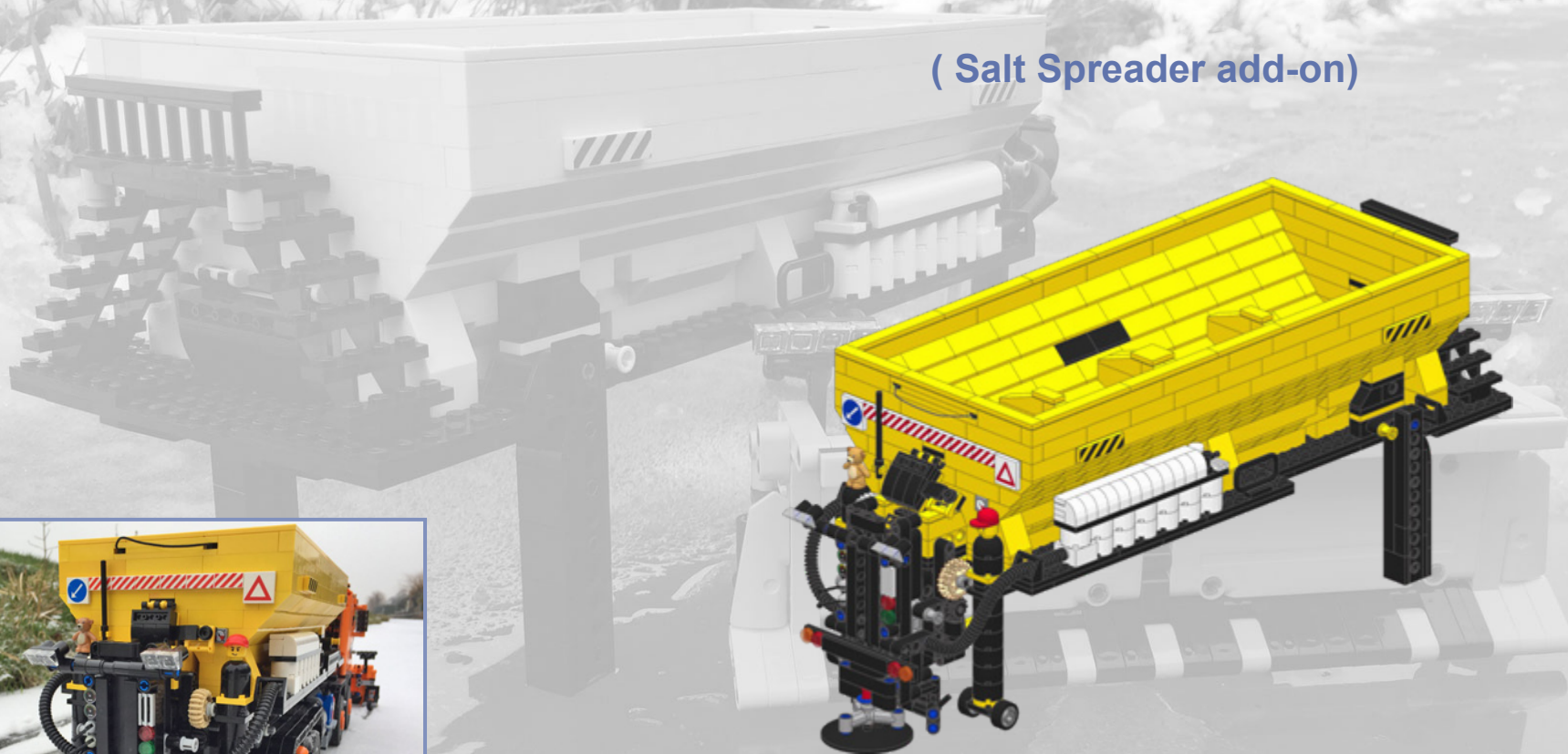


**EXAMPLE**



# Cable-system Truck

( Salt Spreader add-on)

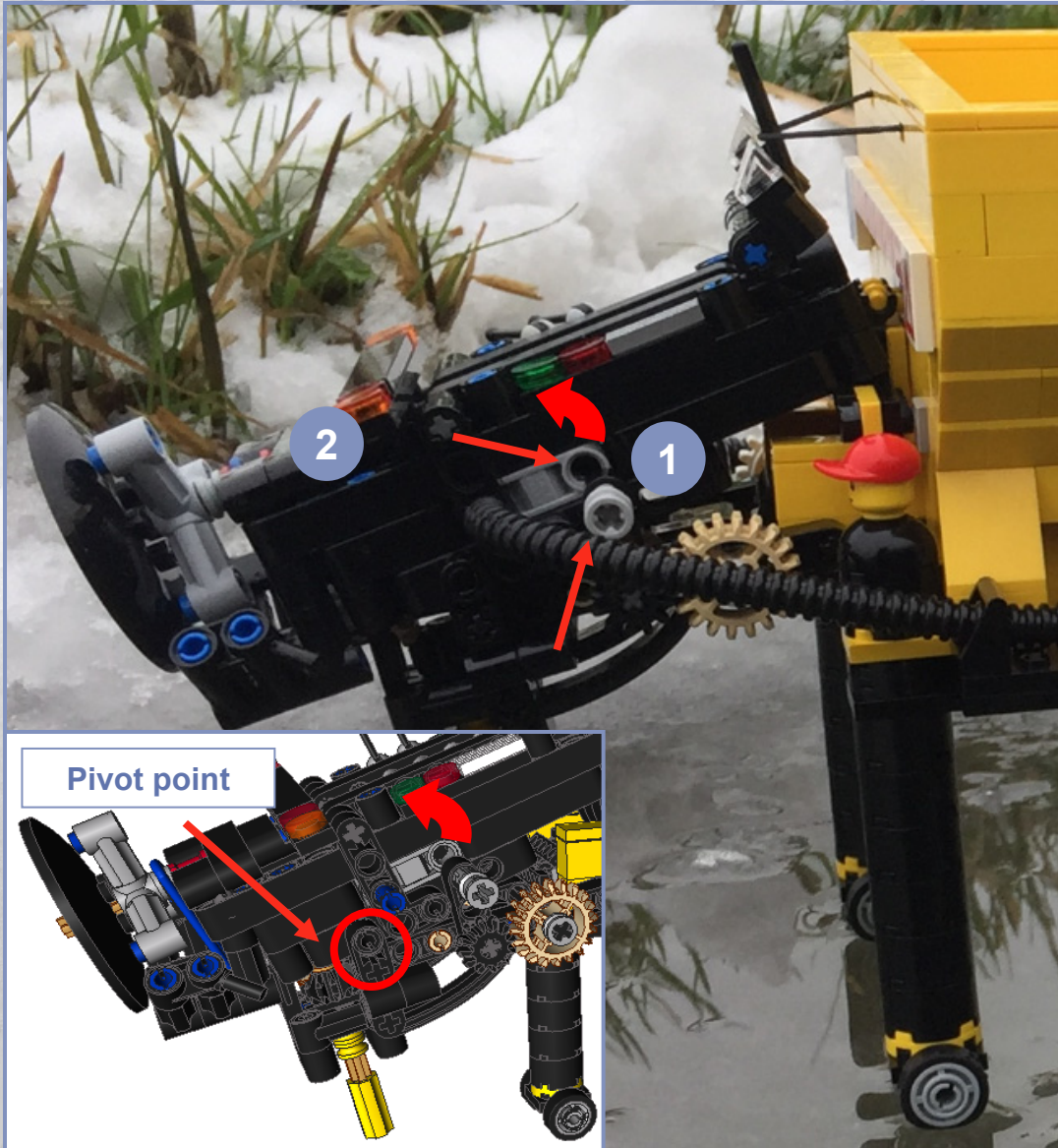


Building instructions, part 8

These building instructions are for personal usage and may not commercially used and/or sold. LEGO is a trademark of the LEGO group of companies which does not sponsor, authorize or endorse these building instructions. Copyright design: Han Crielaard, year 2019, [www.designer-han.nl](http://www.designer-han.nl)

**EXAMPLE**

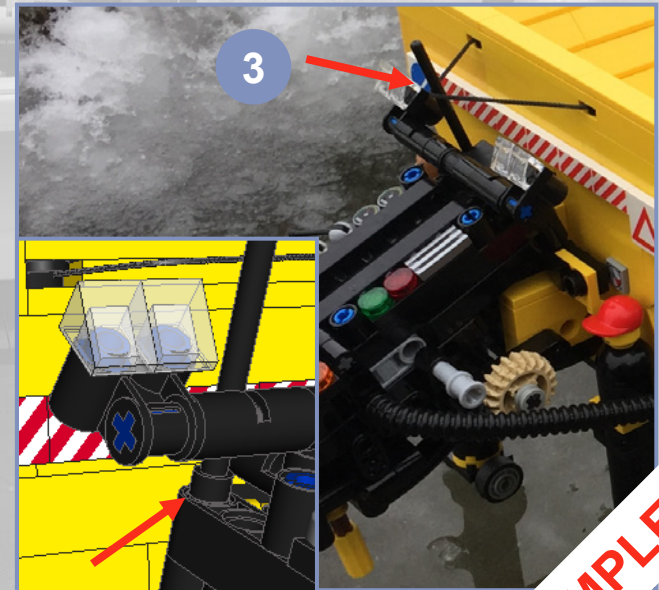
# How to tilt the spreader



1: Pull 'light\_bluish\_gray' pin-with-bush outside the rear section; see red arrows. Of course, at both sides.

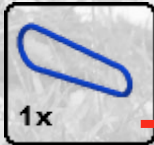
2: The rear section can now tilt 'a little bit' backwards; this gives enough space to tilt the whole spreader as shown on the right-picture.

3: Use the 'black' pole/bar to lock the tilted spreader within the string. See picture below.



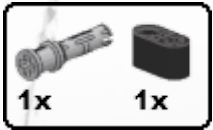
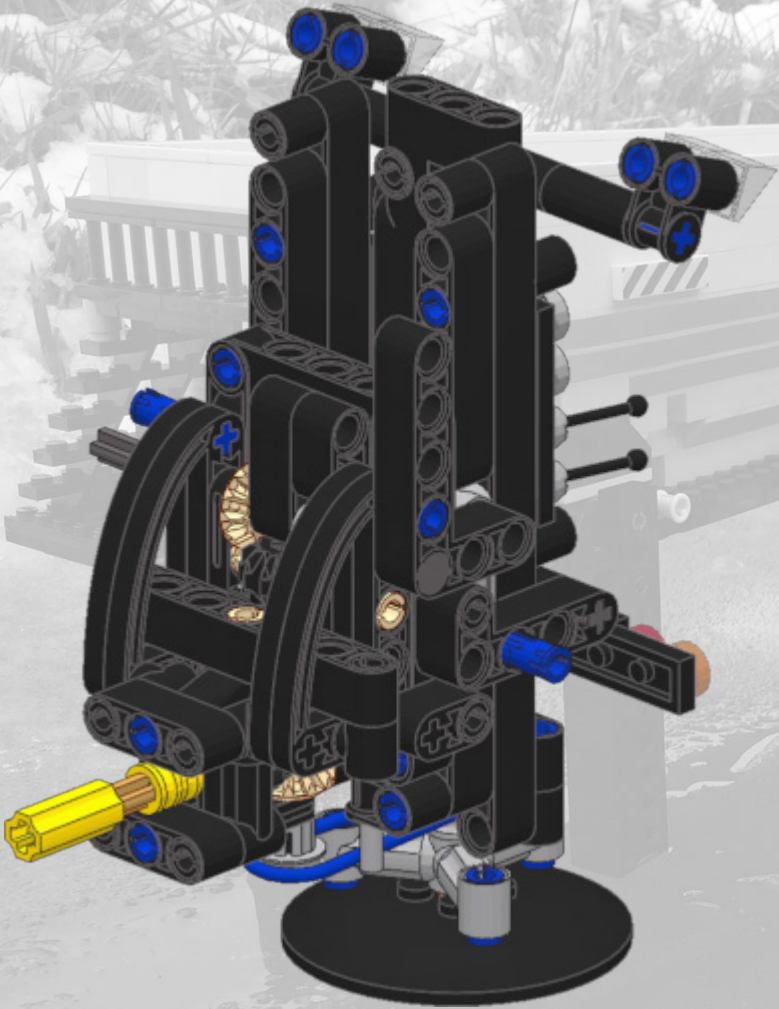
**EXAMPLE**



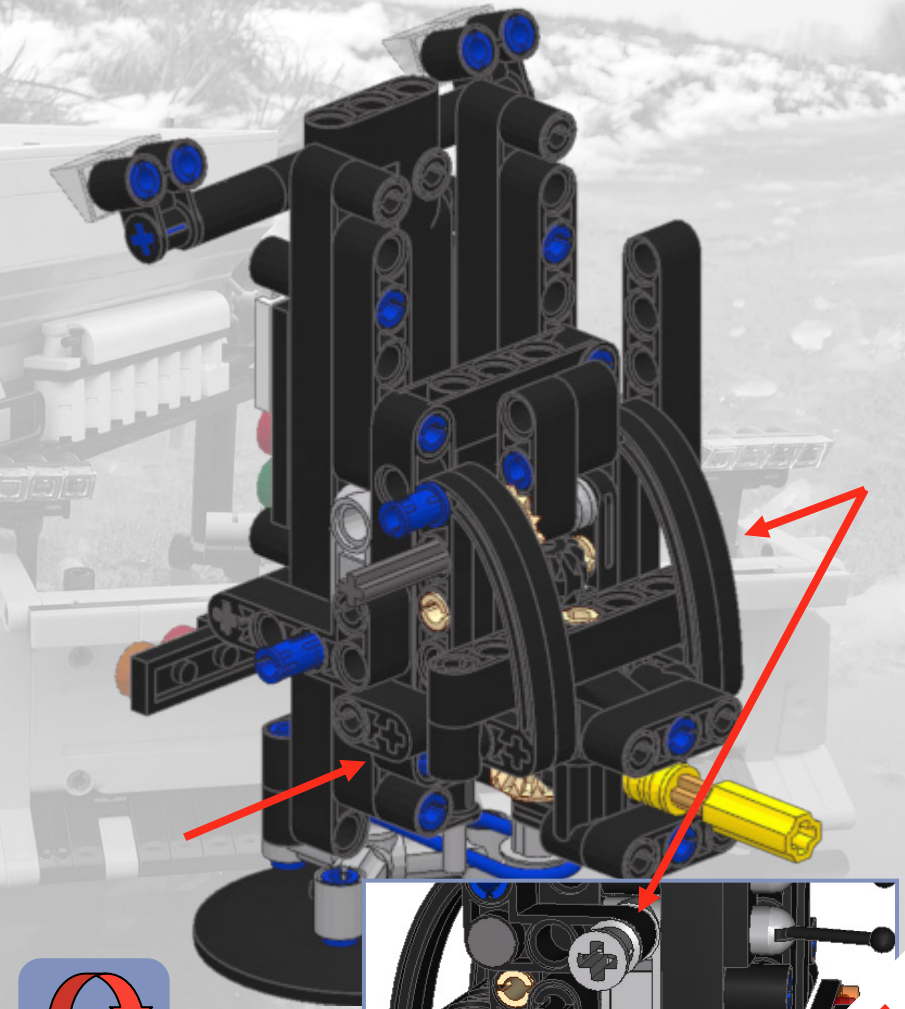


# Step 21

Rubber Belt Large, approx. 4 x 4 (# x89)



# Step 22



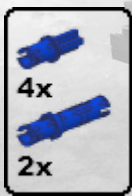
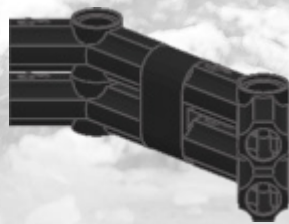
**EXAMPLE**



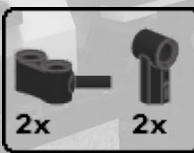
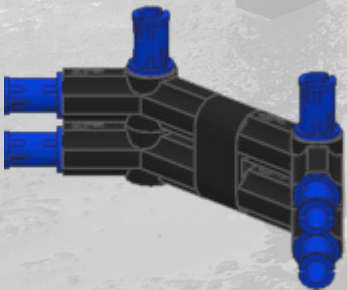
# Step 1



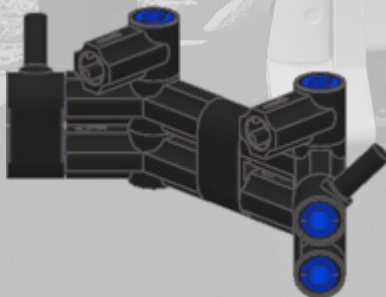
# Step 2



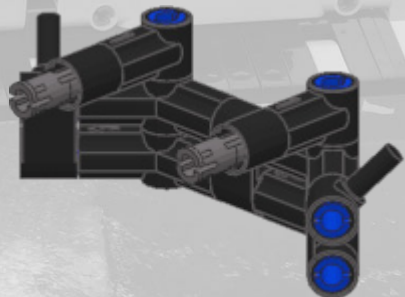
# Step 3



# Step 4

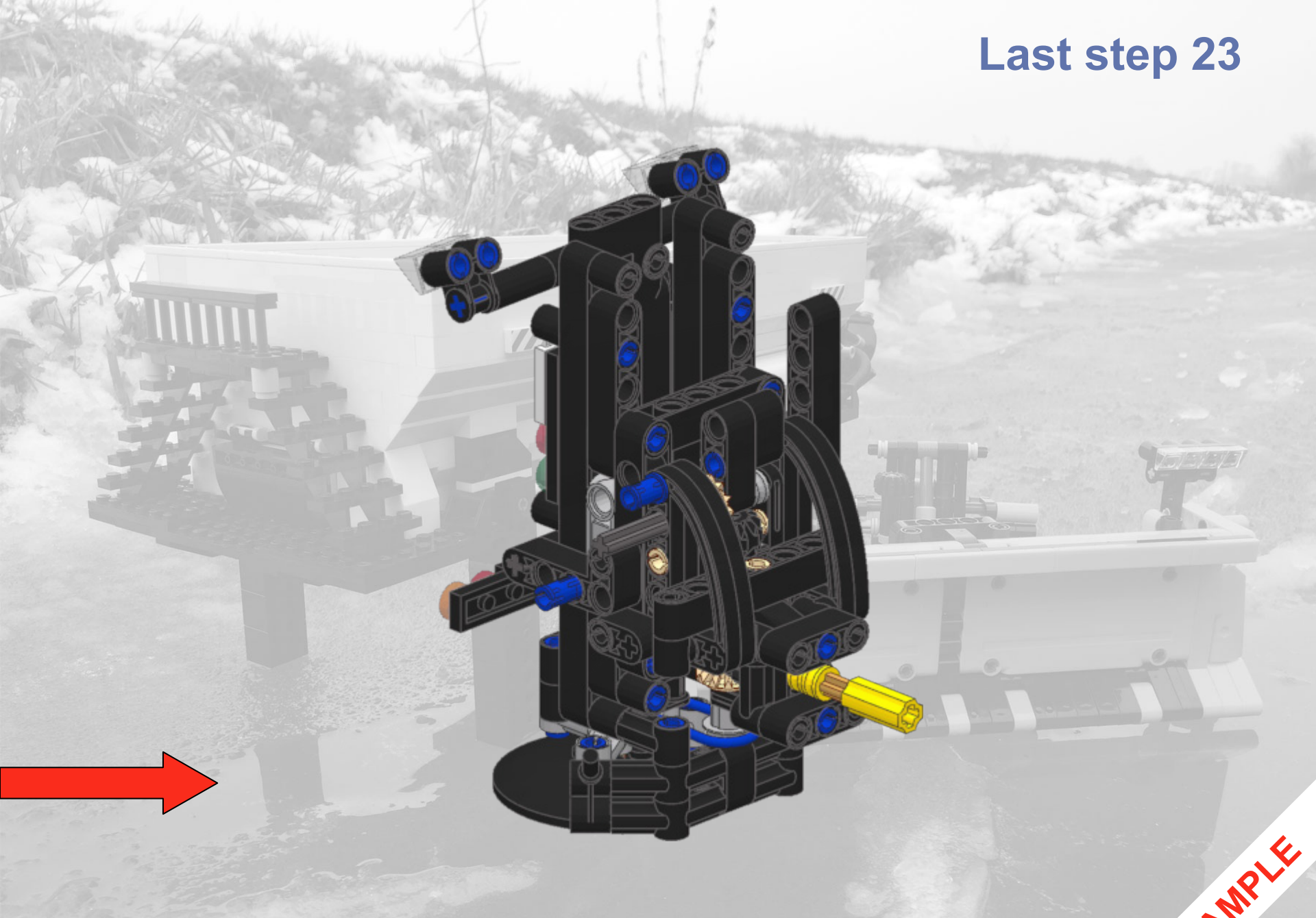


# Last step 5





# Last step 23



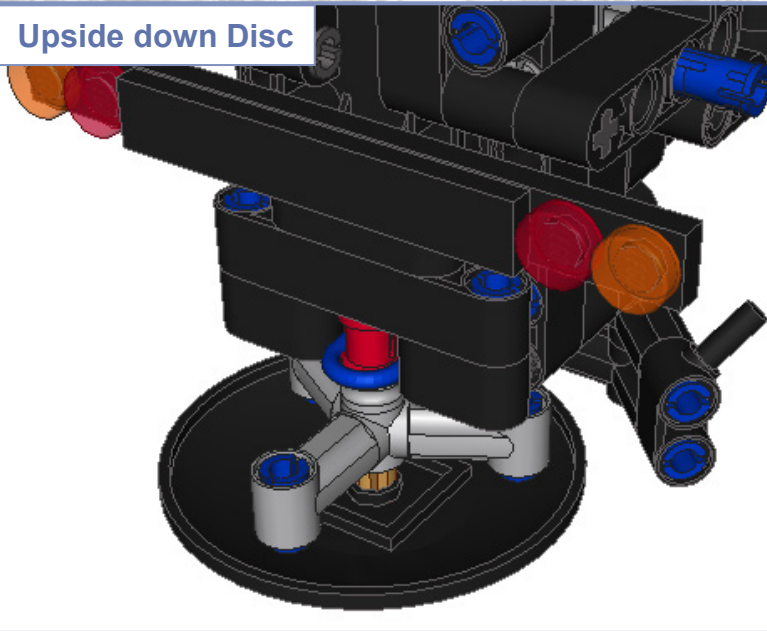
**EXAMPLE**



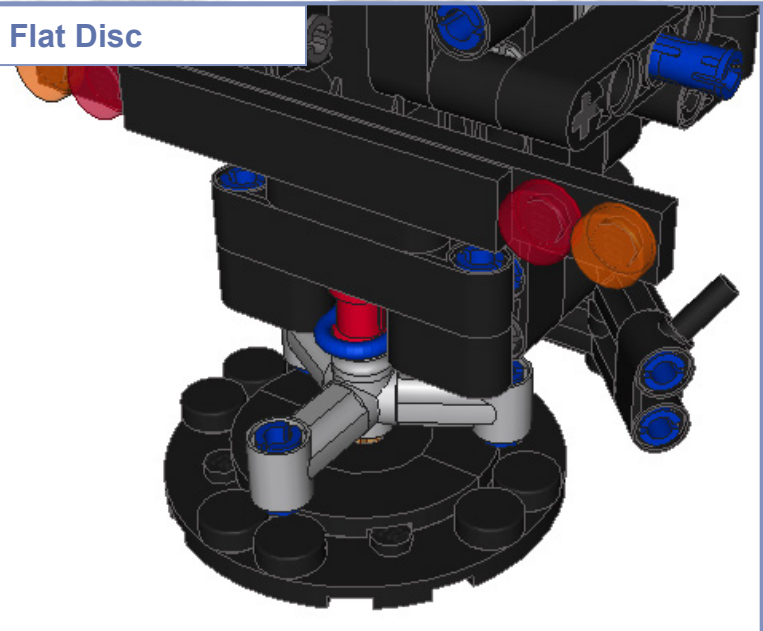
# Additional: Other spreader 'disc' configurations

For 'Salt' cargo, use LEGO 'round 1 x 1 tiles'. You may want to use other 'disc' configurations, see below.

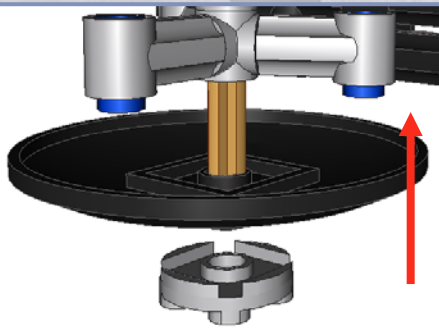
Upside down Disc



Flat Disc



No additional parts needed



Extra parts:



1x



1x



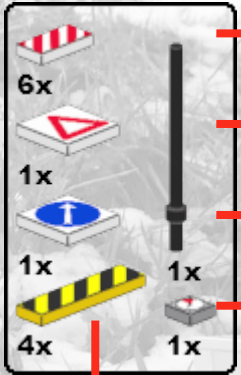
4x



8x



# Step 45



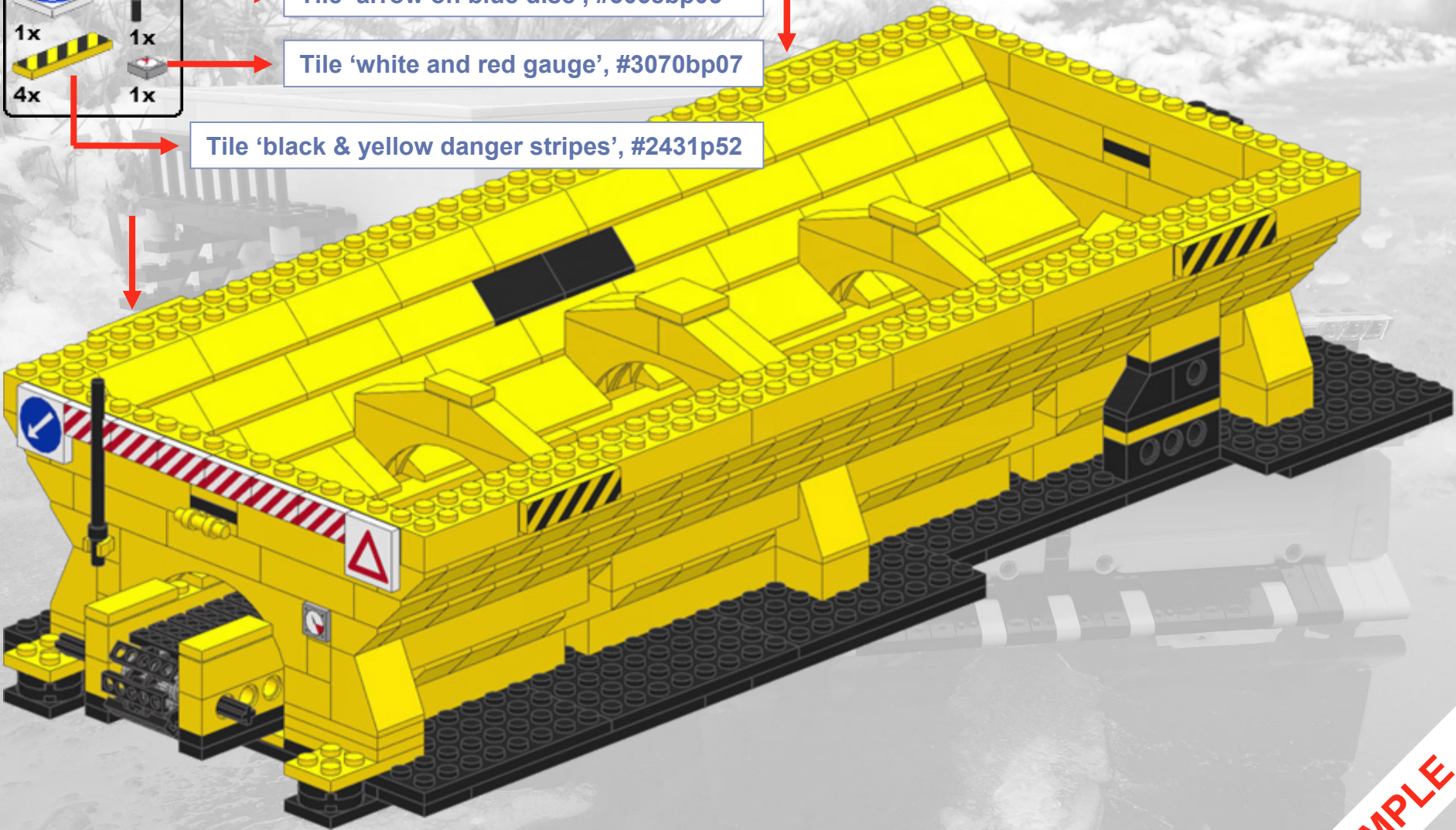
Tile 'diagonal red stripes', #3069bpb034

Tile 'red warning triangle', #3068bp06

Tile 'arrow on blue disc', #3068bp05

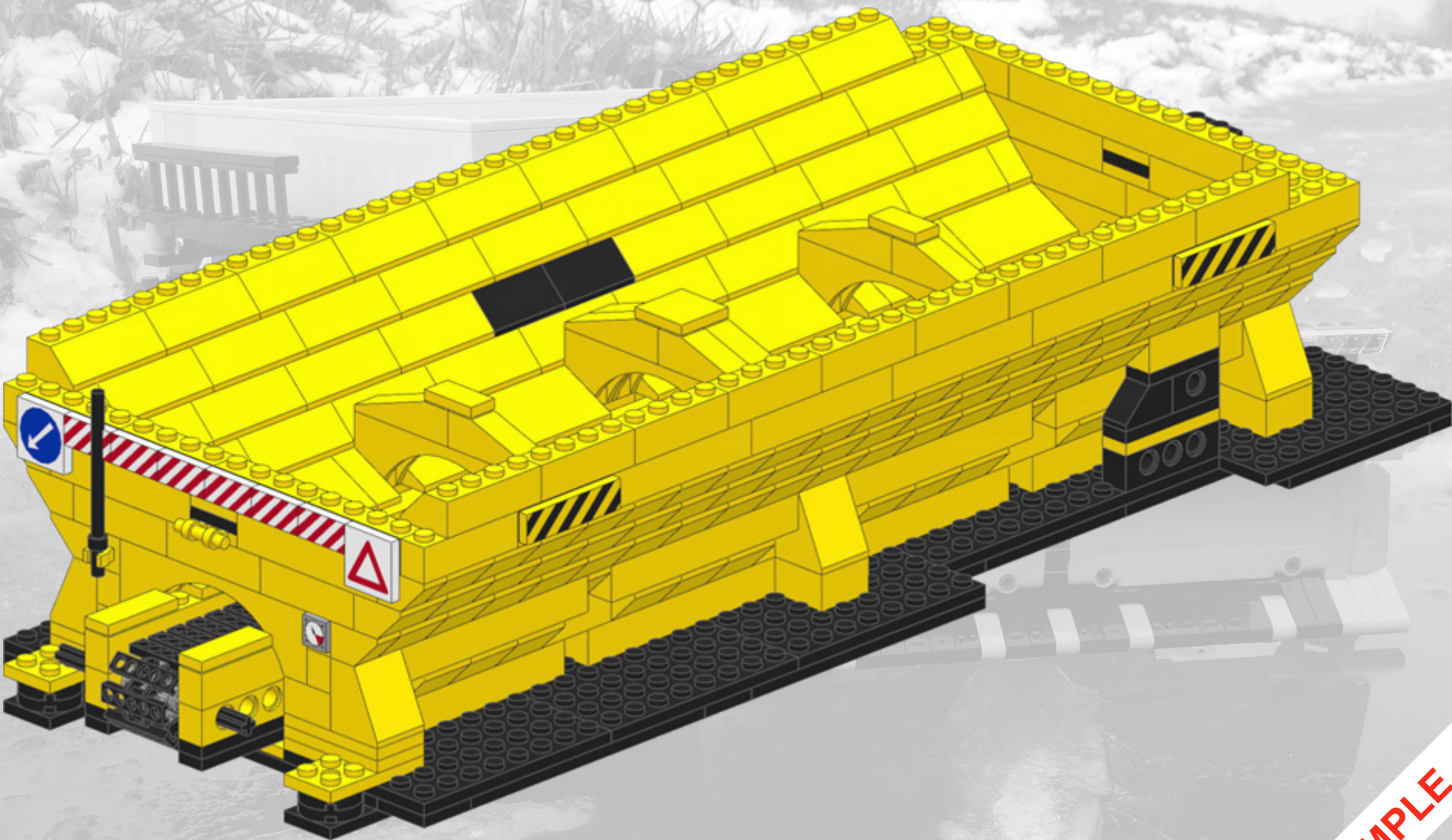
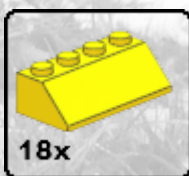
Tile 'white and red gauge', #3070bp07

Tile 'black & yellow danger stripes', #2431p52



**EXAMPLE**

# Step 46

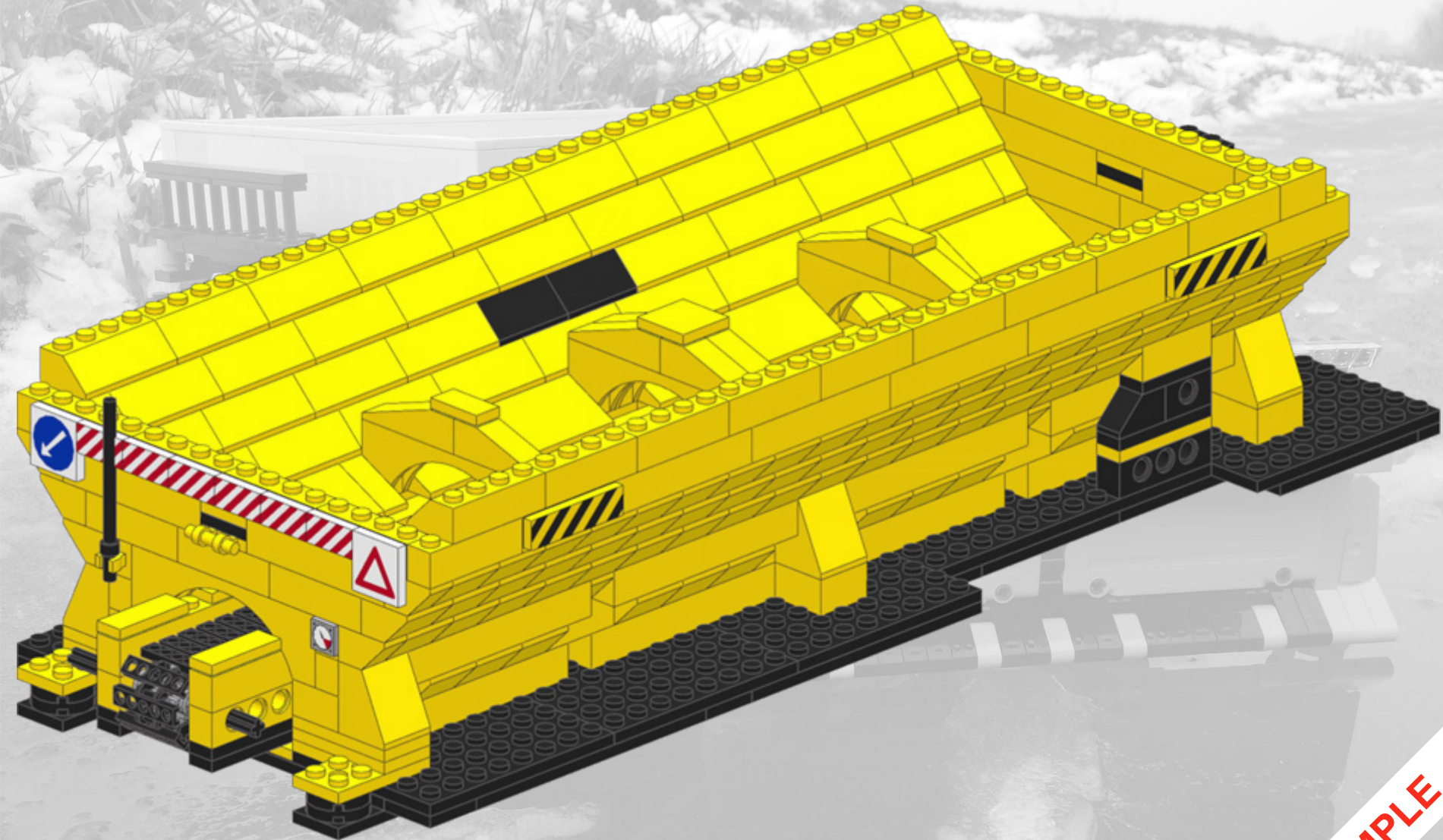


**EXAMPLE**





# Step 47



**EXAMPLE**

