

# Cable-system Truck

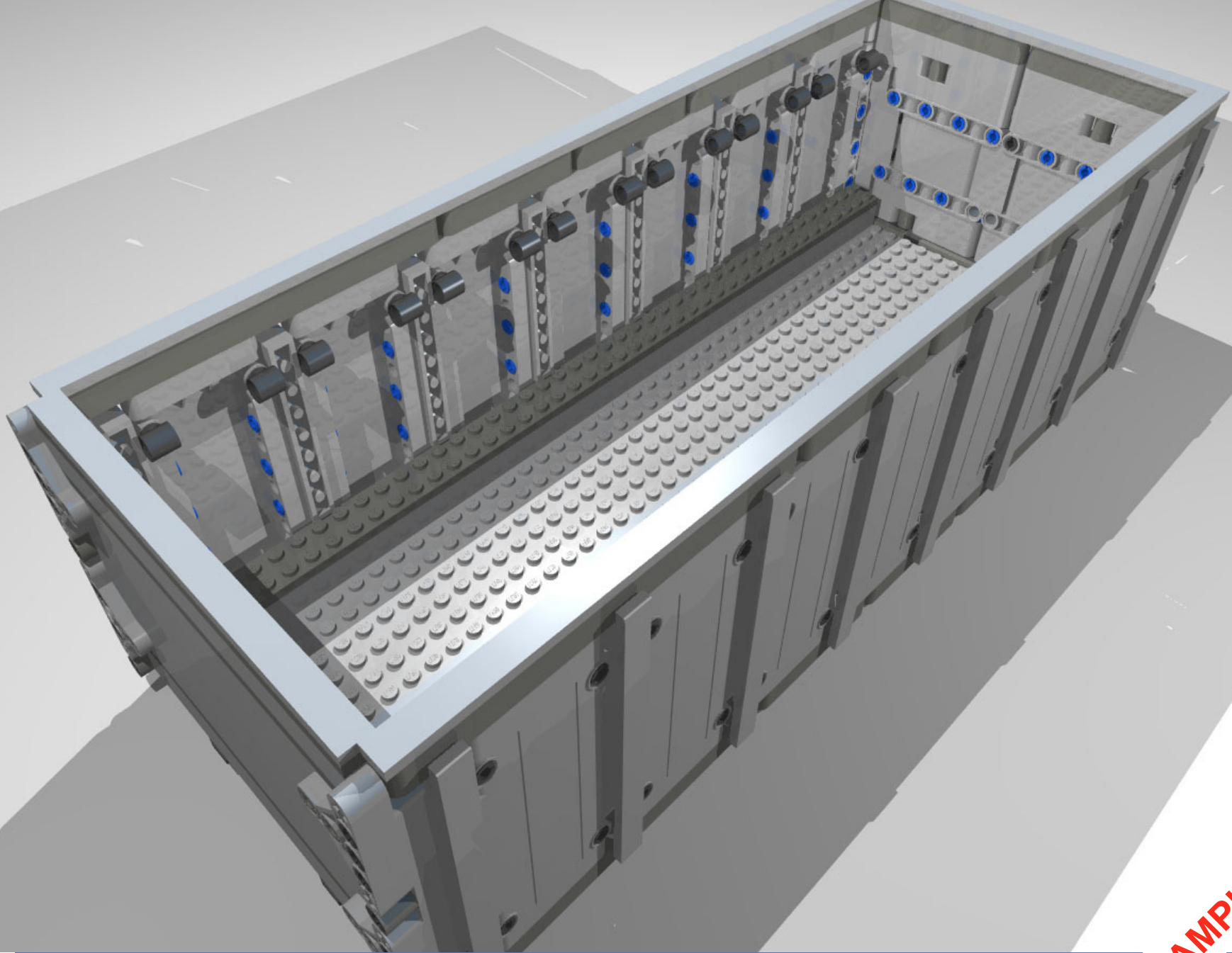
( Container )



Building instructions, part 5

**EXAMPLE**





**EXAMPLE**

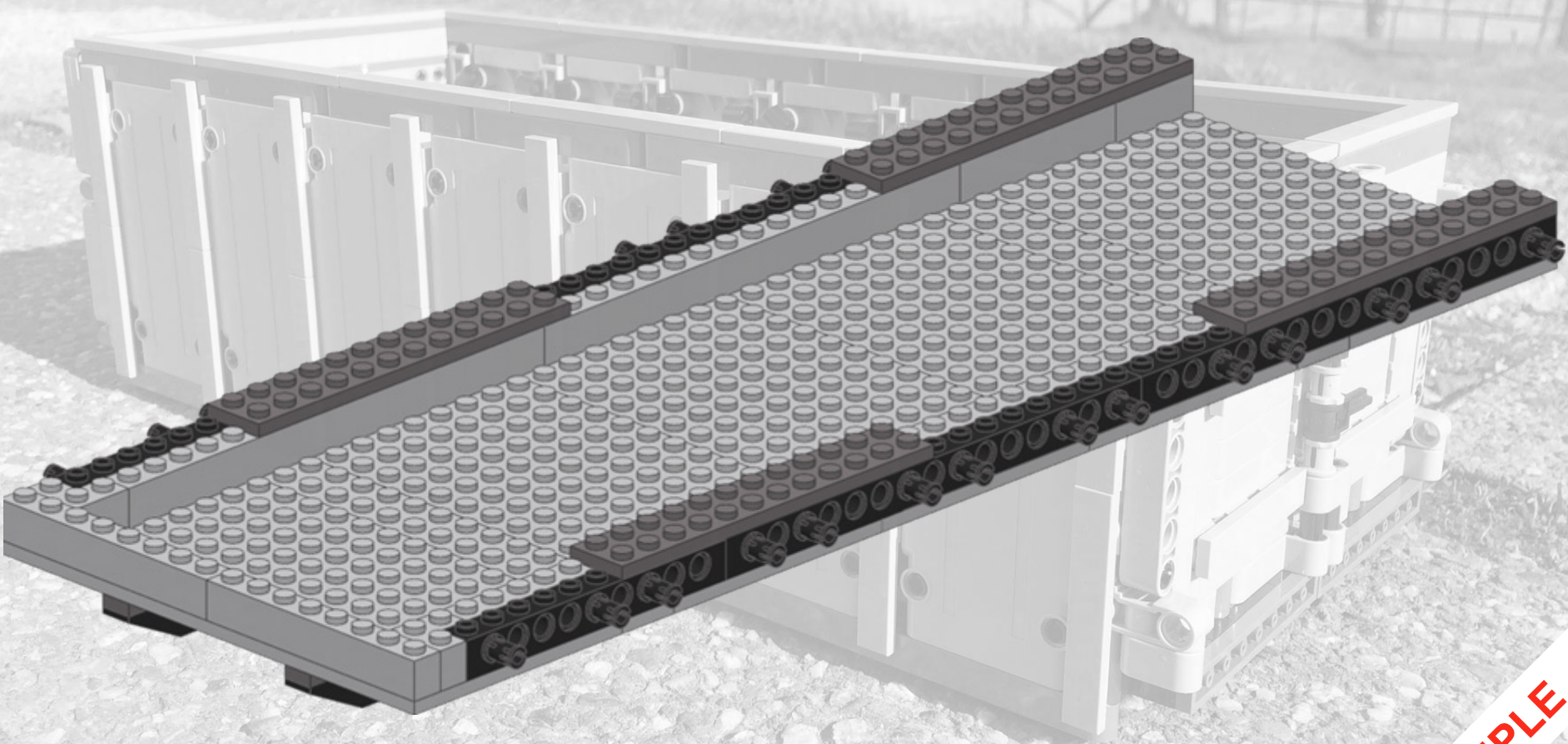
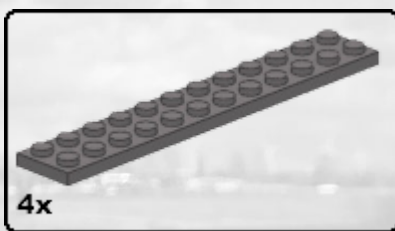
These building instructions are for personal usage and may not commercially used and/or sold. LEGO is a trademark of the LEGO group of companies, which does not sponsor, authorize or endorse these building instructions. Copyright design: Han Crielaard, year 2018, [www.designer-han.nl](http://www.designer-han.nl)







# Step 9



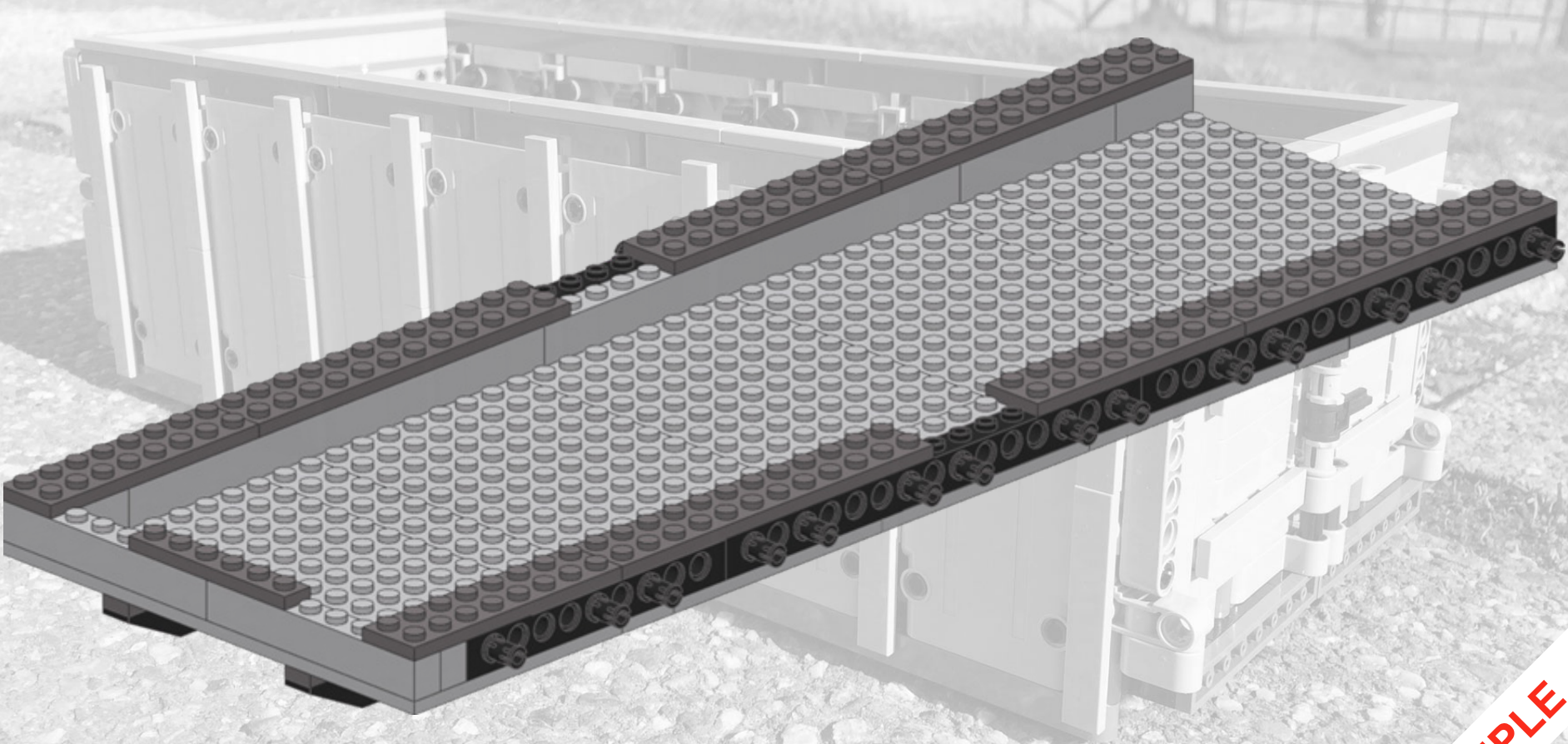
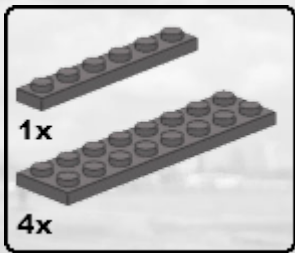
**EXAMPLE**

These building instructions are for personal usage and may not commercially used and/or sold. LEGO is a trademark of the LEGO group of companies which does not sponsor, authorize or endorse these building instructions. Copyright design: Han Crielaard, year 2018, [www.designer-han.nl](http://www.designer-han.nl)





# Step 10

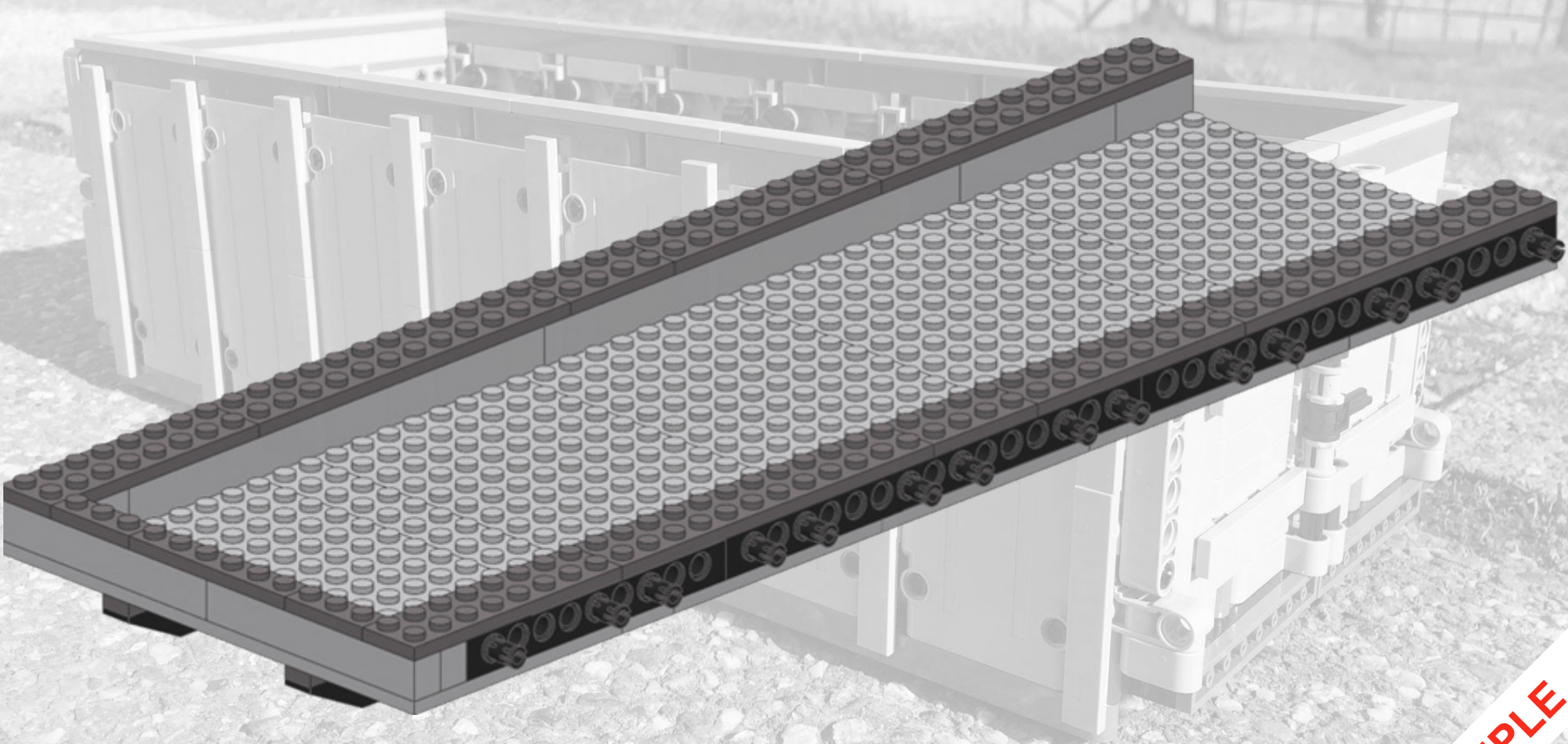


**EXAMPLE**

These building instructions are for personal usage and may not commercially used and/or sold. LEGO is a trademark of the LEGO group of companies which does not sponsor, authorize or endorse these building instructions. Copyright design: Han Crielaard, year 2018, www.designer-han.nl



# Step 11

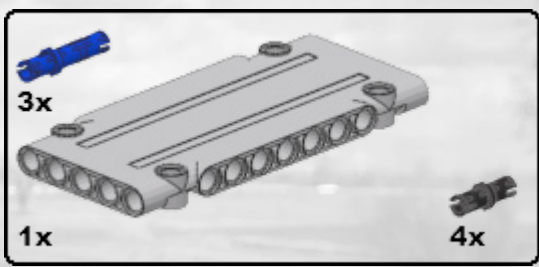


**EXAMPLE**

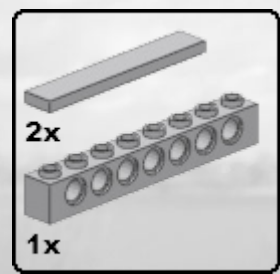
*These building instructions are for personal usage and may not commercially used and/or sold. LEGO is a trademark of the LEGO group of companies which does not sponsor, authorize or endorse these building instructions. Copyright design: Han Crielaard, year 2018, www.designer-han.nl*



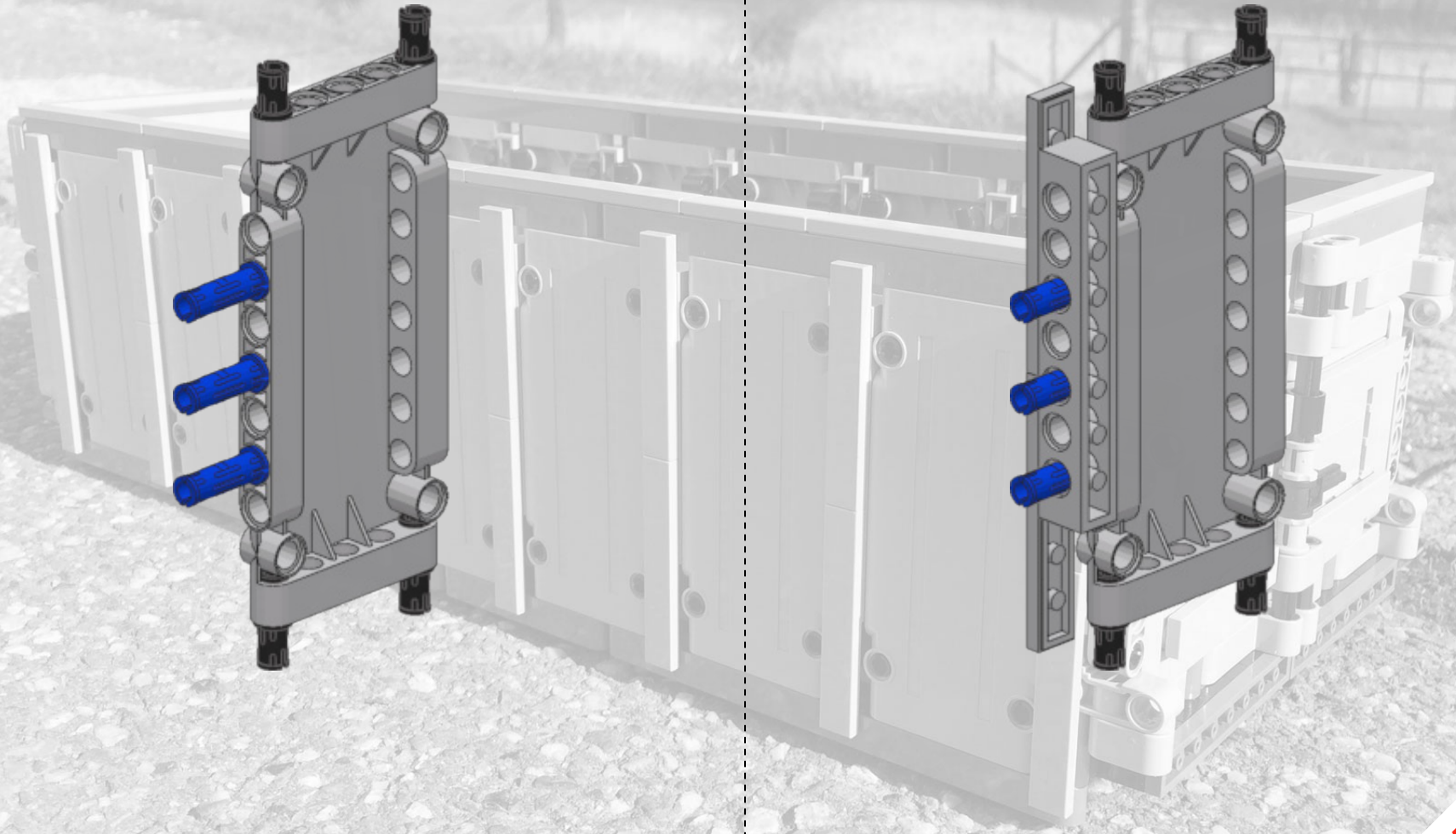




# Step 1

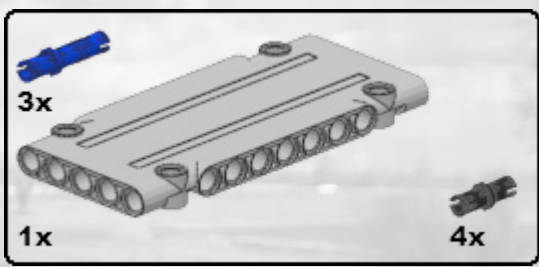


# Step 2

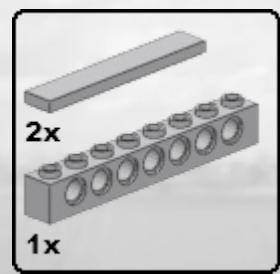


**EXAMPLE**

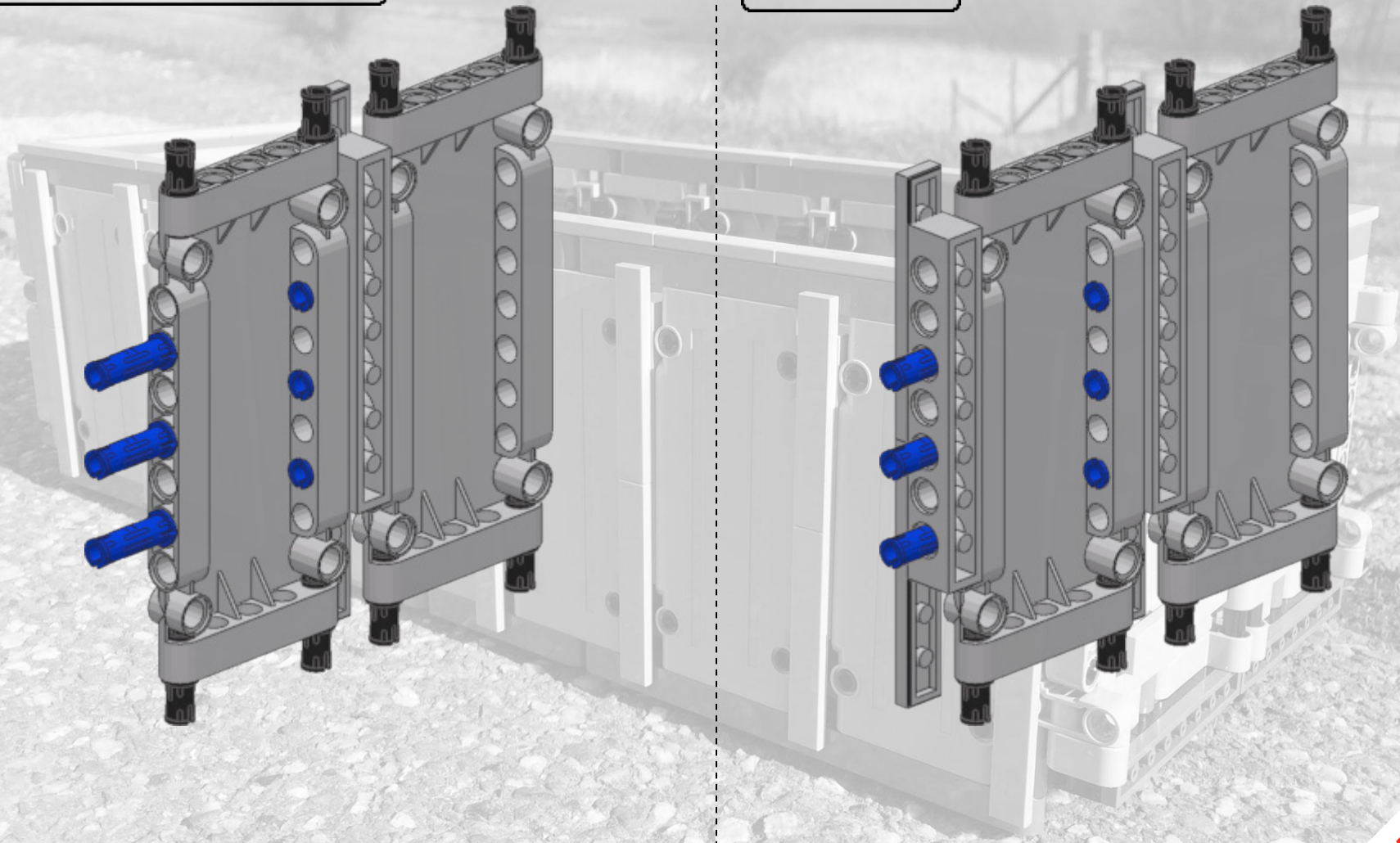




### Step 3



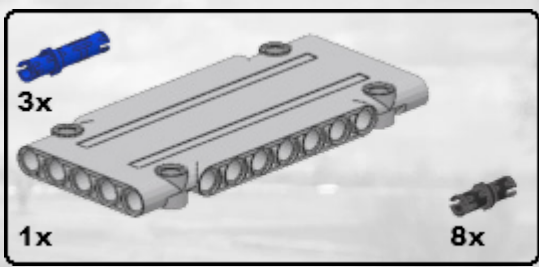
### Step 4



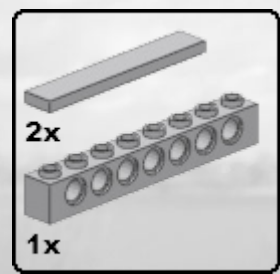
**EXAMPLE**



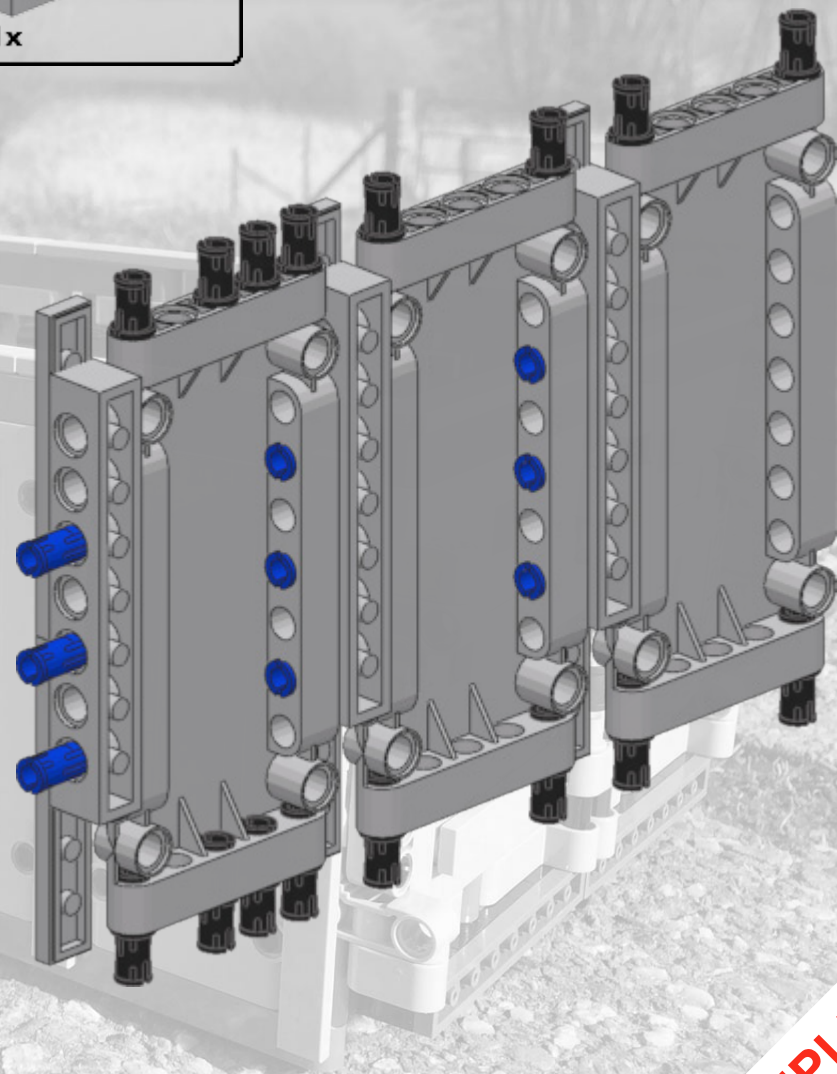
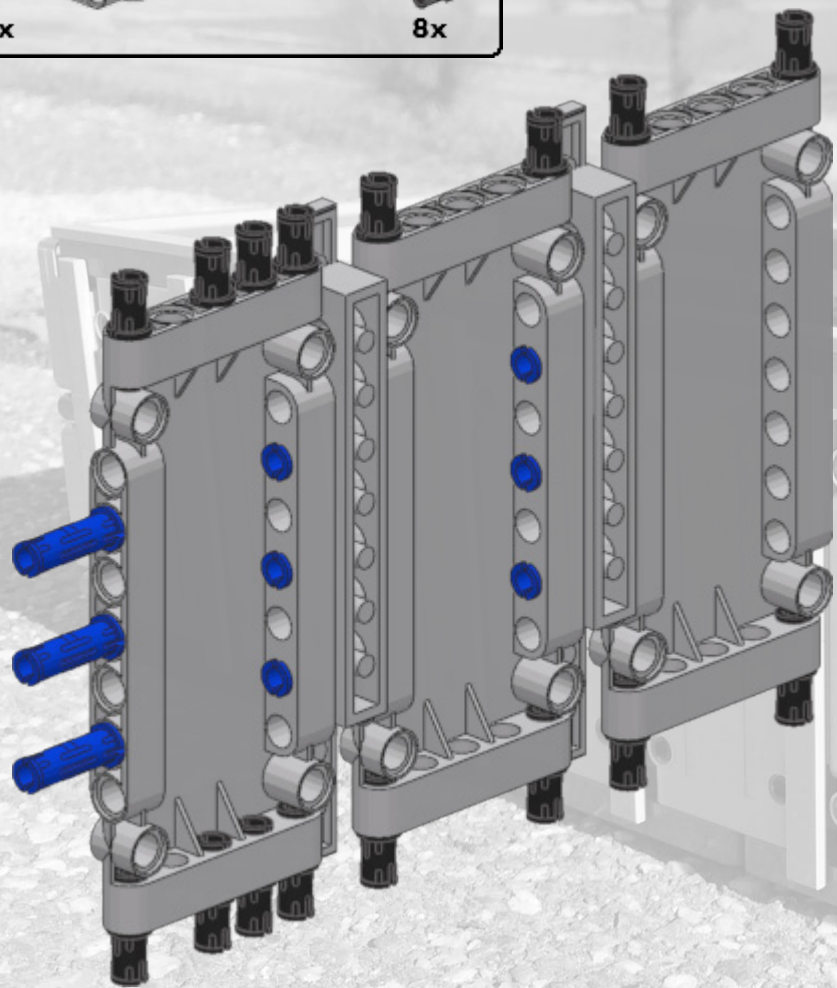




# Step 5

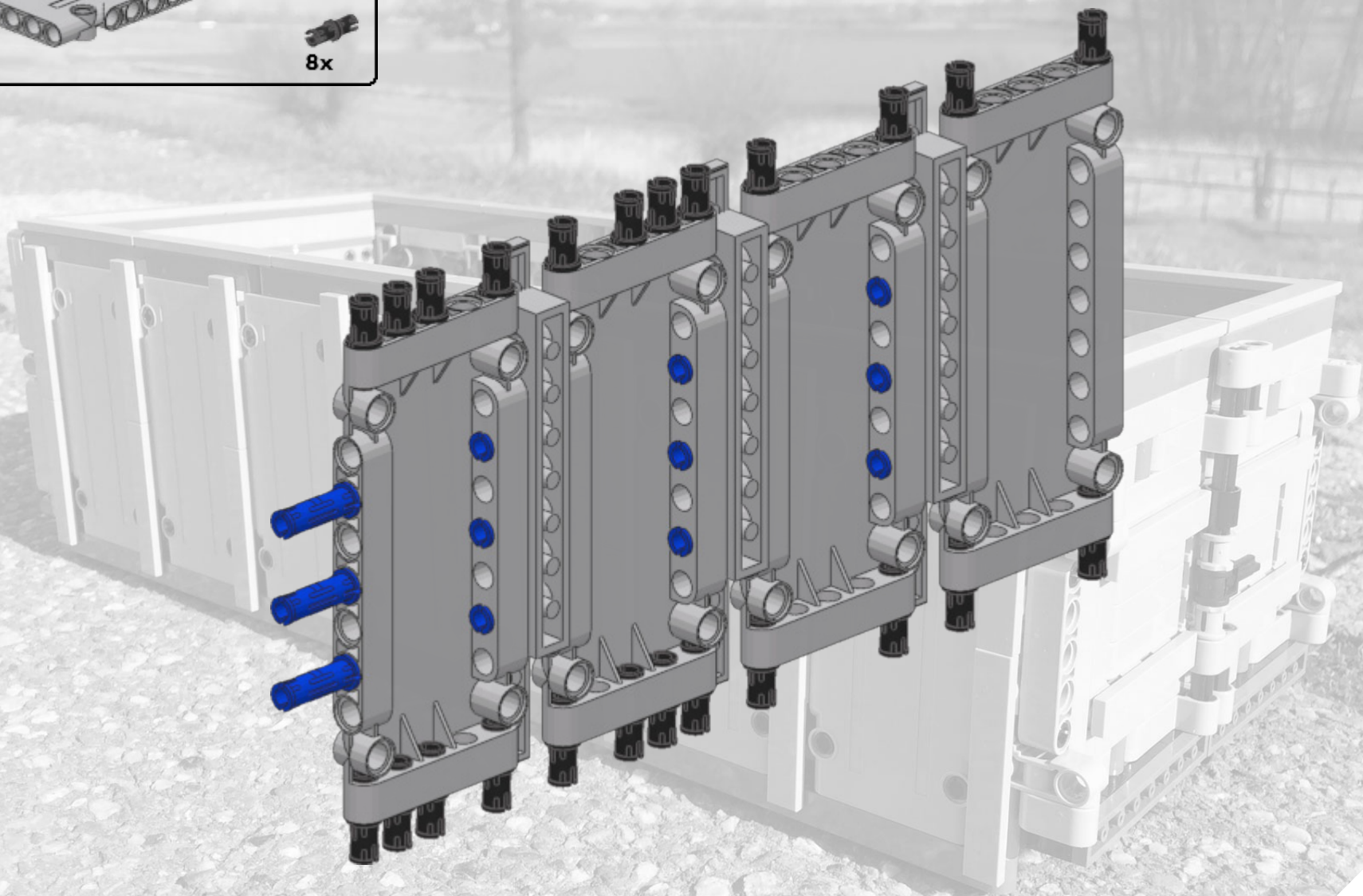
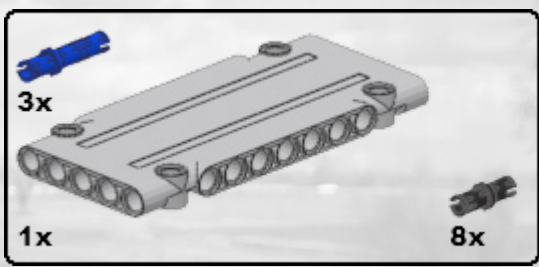


# Step 6



**EXAMPLE**

# Step 7



**EXAMPLE**

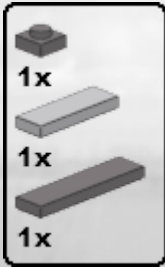






1x

# Step 17

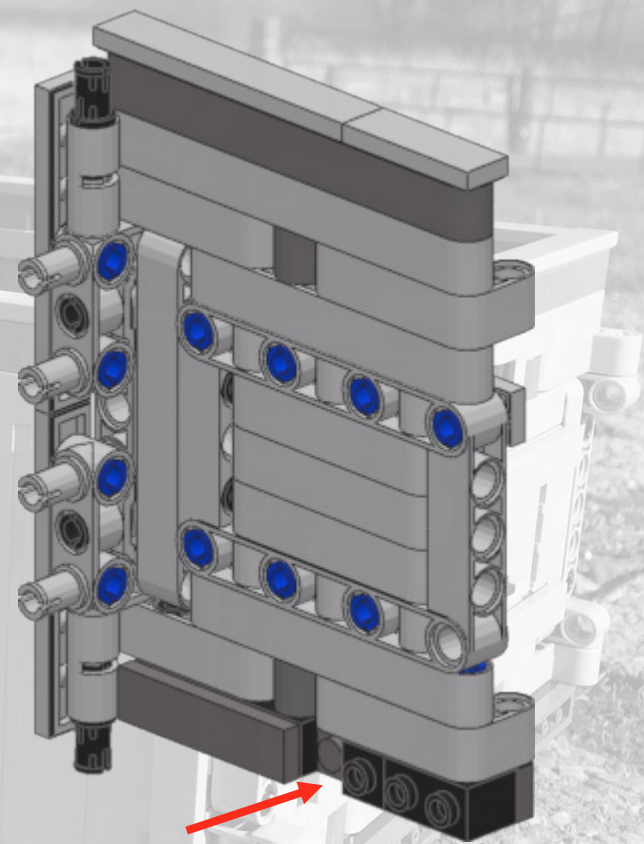
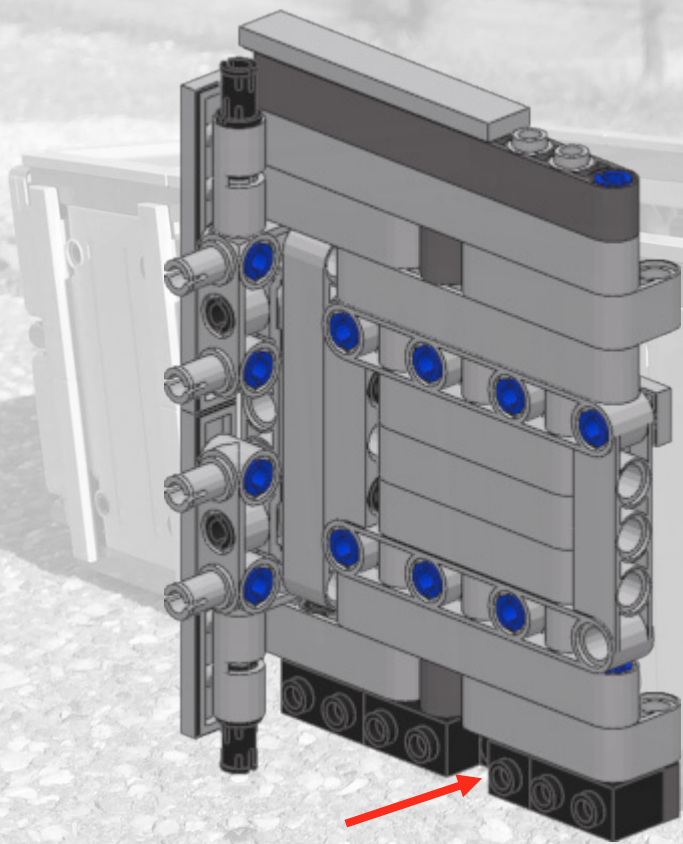


1x

1x

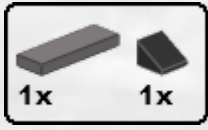
1x

# Step 18

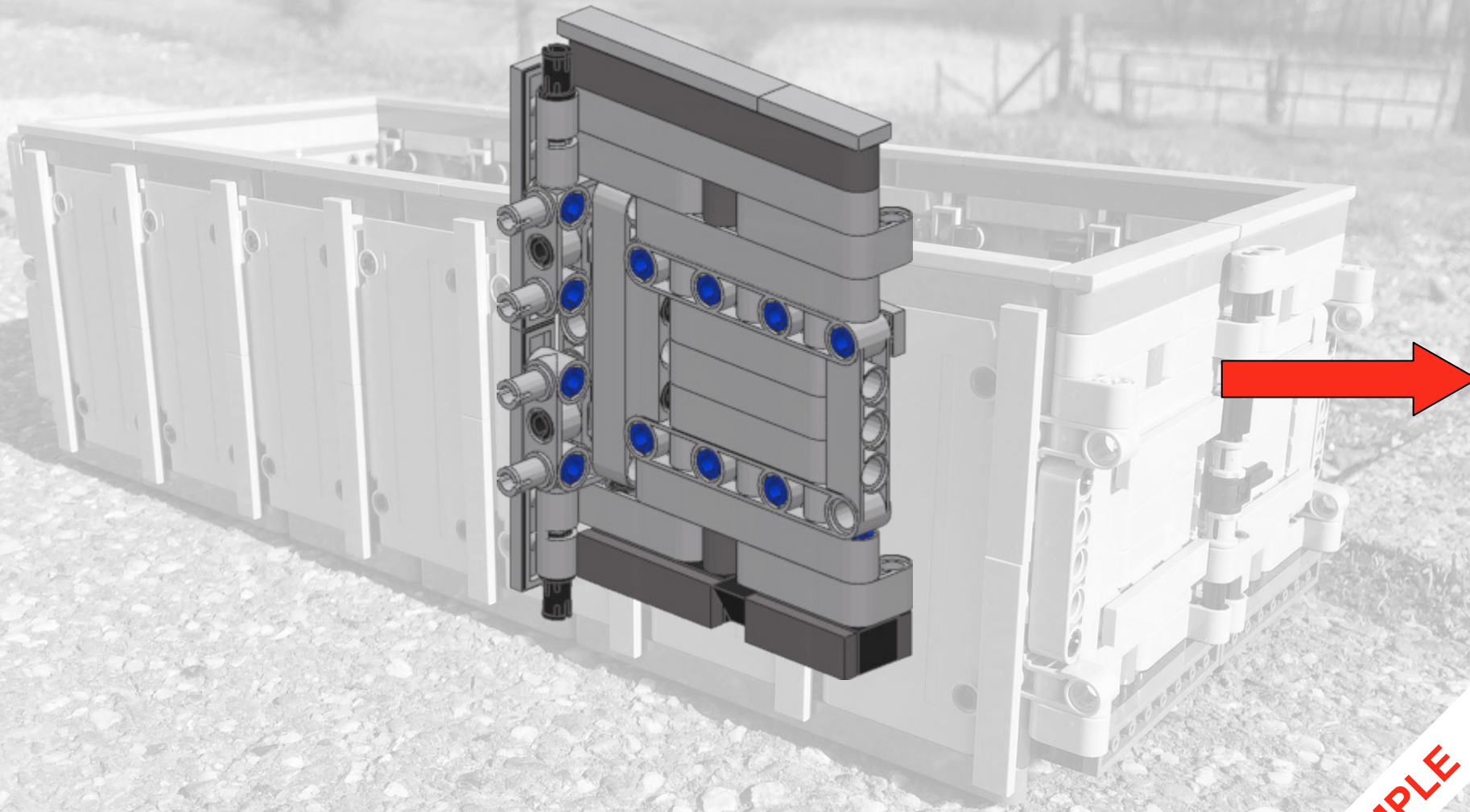


**EXAMPLE**





# Last step 19

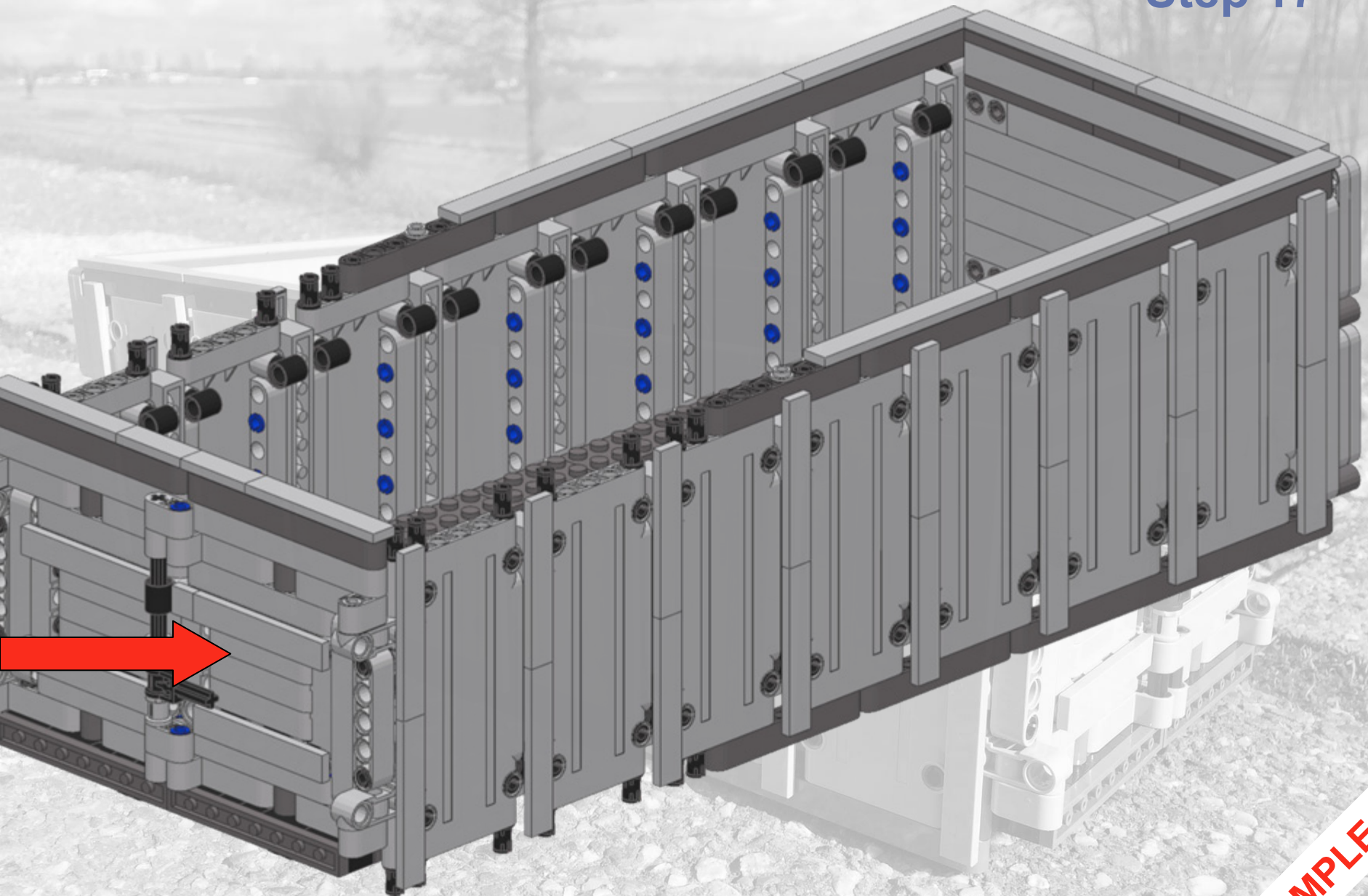


**EXAMPLE**





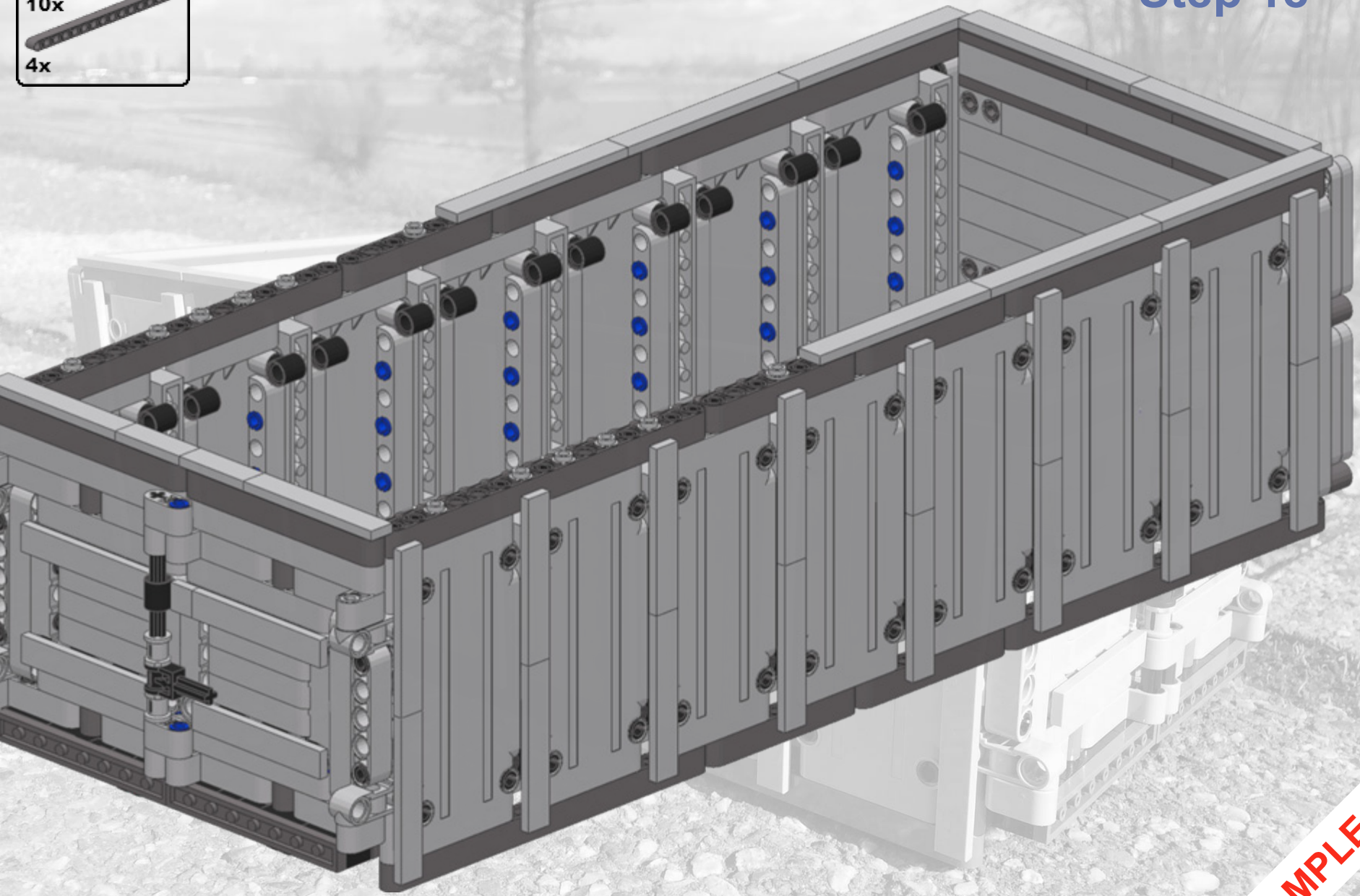
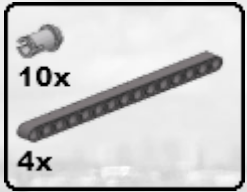
# Step 17



These building instructions are for personal usage and may not commercially used and/or sold. LEGO is a trademark of the LEGO group of companies which does not sponsor, authorize or endorse these building instructions. Copyright design: Han Crielaard, year 2018, [www.designer-han.nl](http://www.designer-han.nl)

**EXAMPLE**

# Step 18

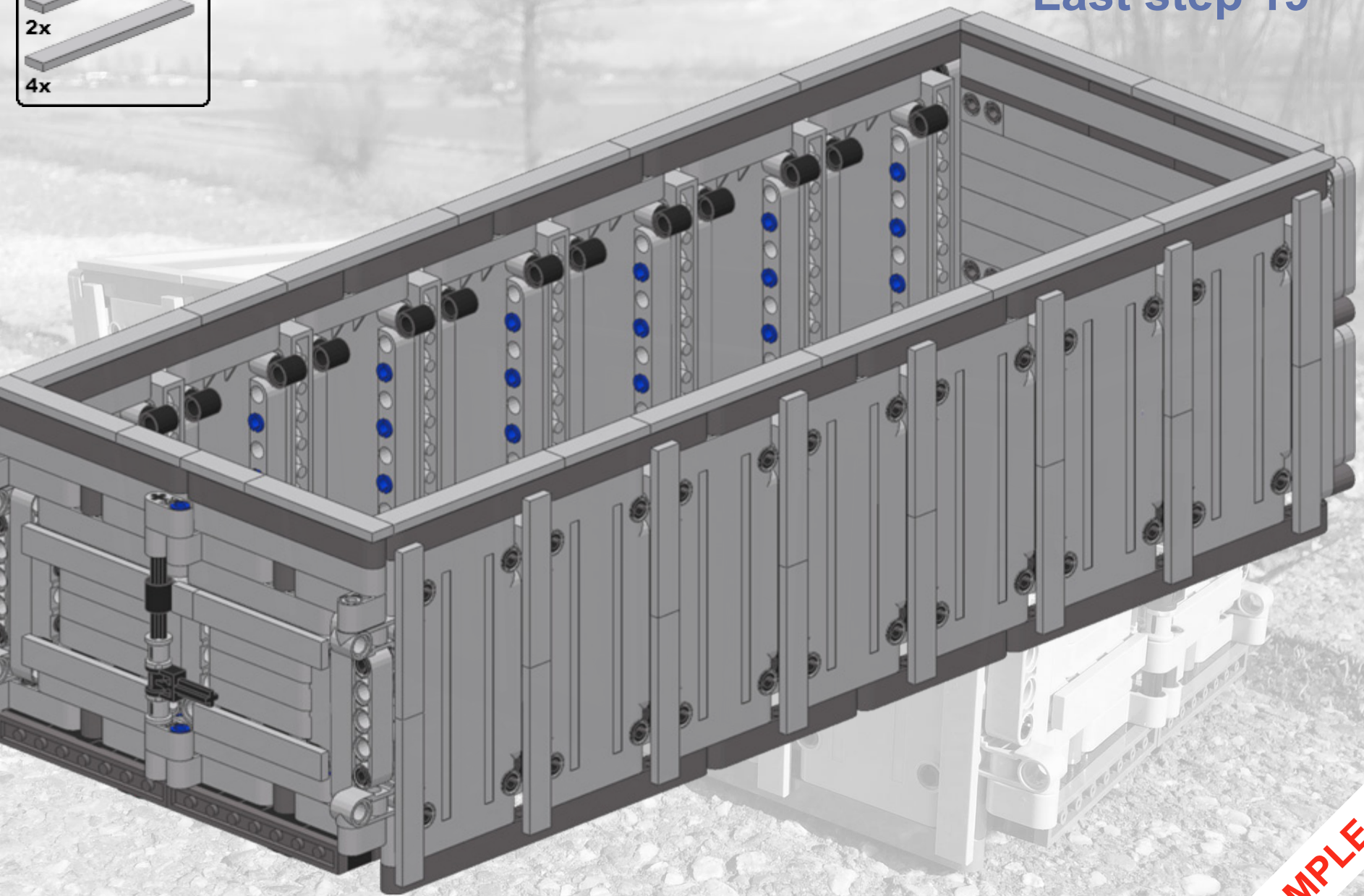
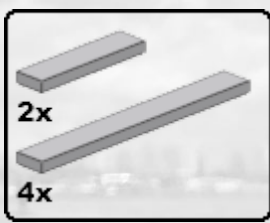


These building instructions are for personal usage and may not commercially used and/or sold. LEGO is a trademark of the LEGO group of companies which does not sponsor, authorize or endorse these building instructions. Copyright design: Han Crielaard, year 2018, [www.designer-han.nl](http://www.designer-han.nl)

**EXAMPLE**



# Last step 19



These building instructions are for personal usage and may not commercially used and/or sold. LEGO is a trademark of the LEGO group of companies which does not sponsor, authorize or endorse these building instructions. Copyright design: Han Crielaard, year 2018, [www.designer-han.nl](http://www.designer-han.nl)

**EXAMPLE**

# Cable-system Truck

( Trailer )



Building instructions, part 6

**EXAMPLE**

These building instructions are for personal usage and may not commercially used and/or sold. LEGO is a trademark of the LEGO group of companies which does not sponsor, authorize or endorse these building instructions. Copyright design: Han Crielaard, year 2018, [www.designer-han.nl](http://www.designer-han.nl)





# Information

## Dimensions

- Trailer

## # Parts

792

## Length

49 cm

## Width

14,5 cm

## Height

10,5 cm

## Weight

0,8 kg

39 cm (with towbar 'up')

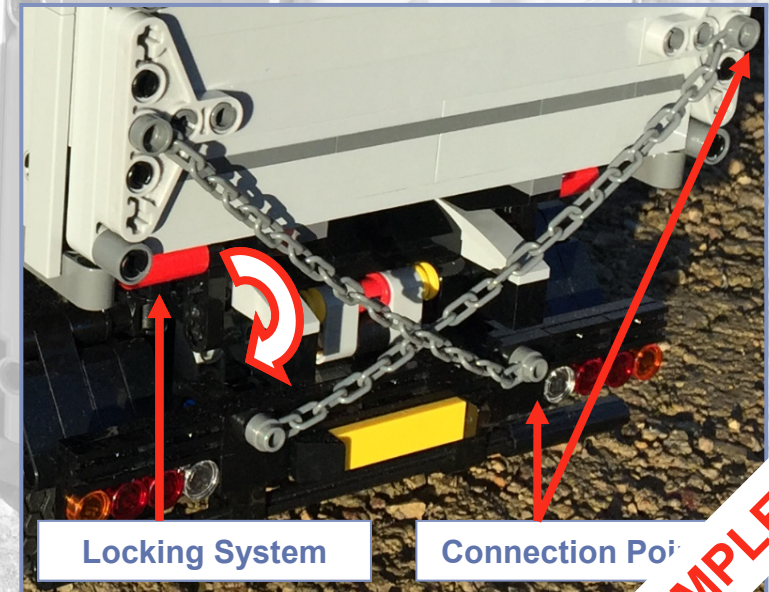
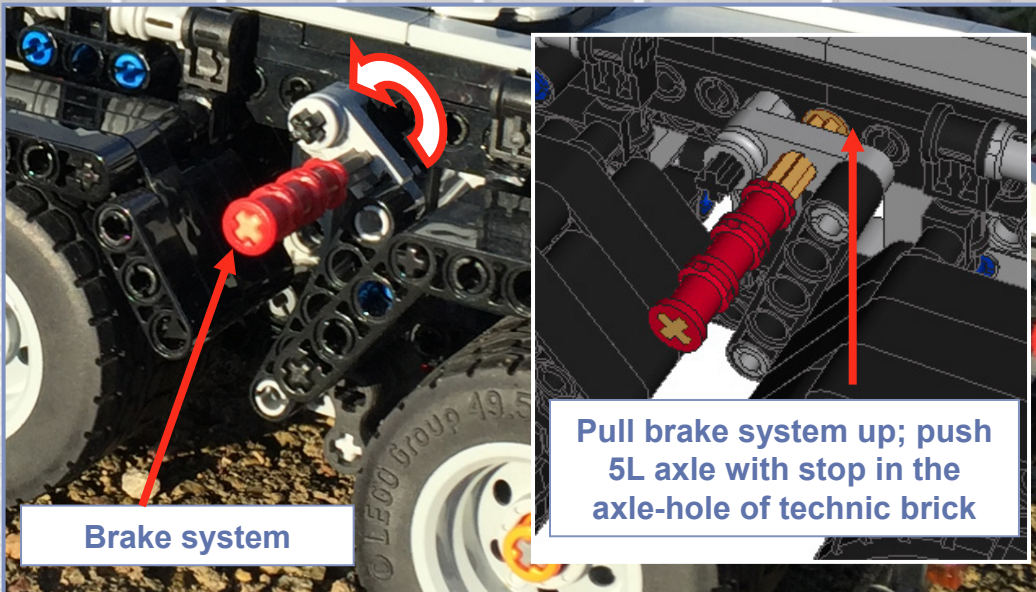
19 cm (with loaded container)

## Technic functions

- Raise/lower 1<sup>st</sup> rear-wheel unit by manual turning black 12<sup>th</sup> double bevel gear at both trailer sides,
- Brake system on 2<sup>nd</sup> rear-wheel unit; required to prevent trailer rolling when the truck loads a container on it,
- Container 'locking system'.

## Non-Technic functions

- Chain storage area on the front side of the loading floor,
- Chain connection points to secure the container.

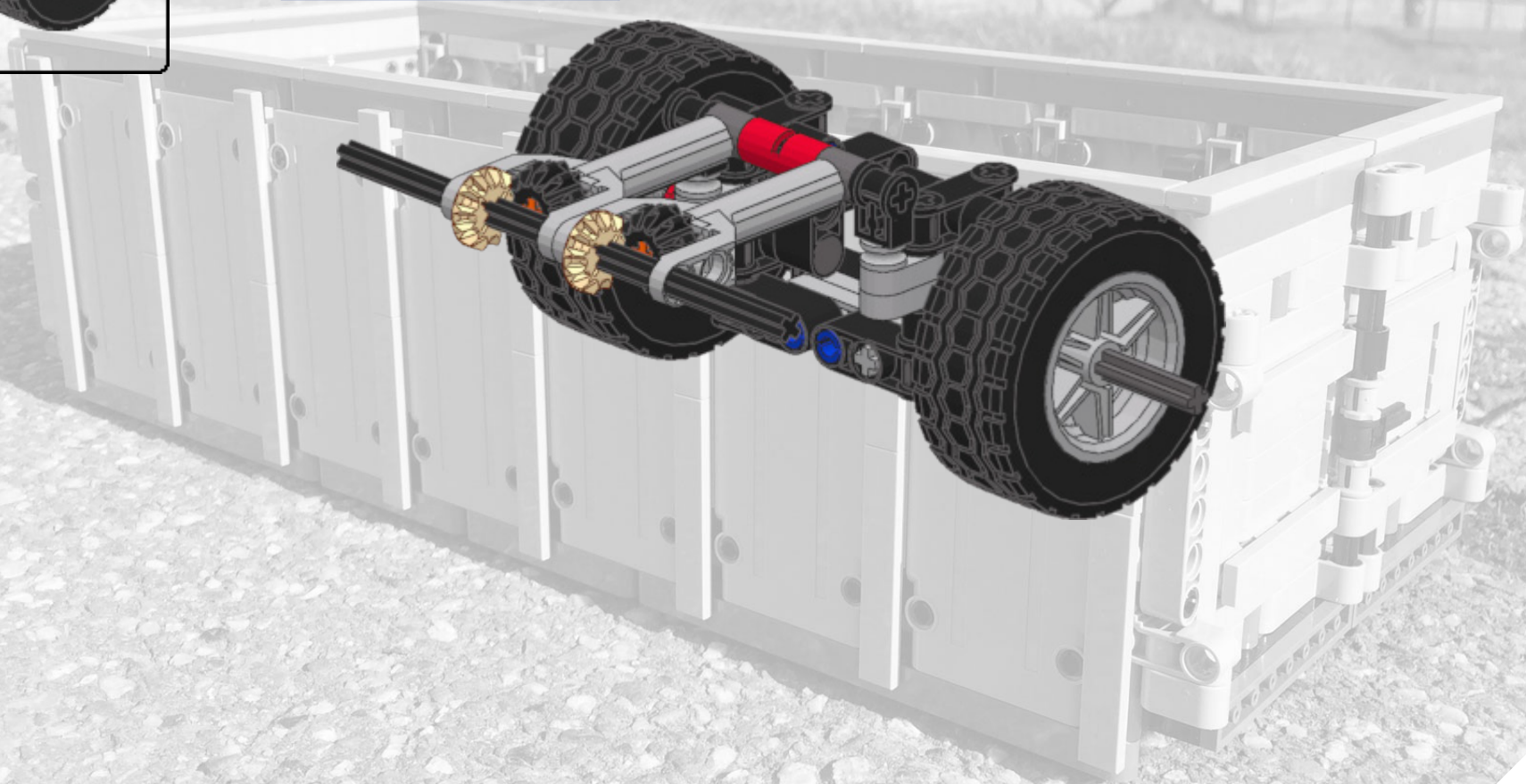


**EXAMPLE**

# Step 12



Tire 49.5 x 20 (#15413)

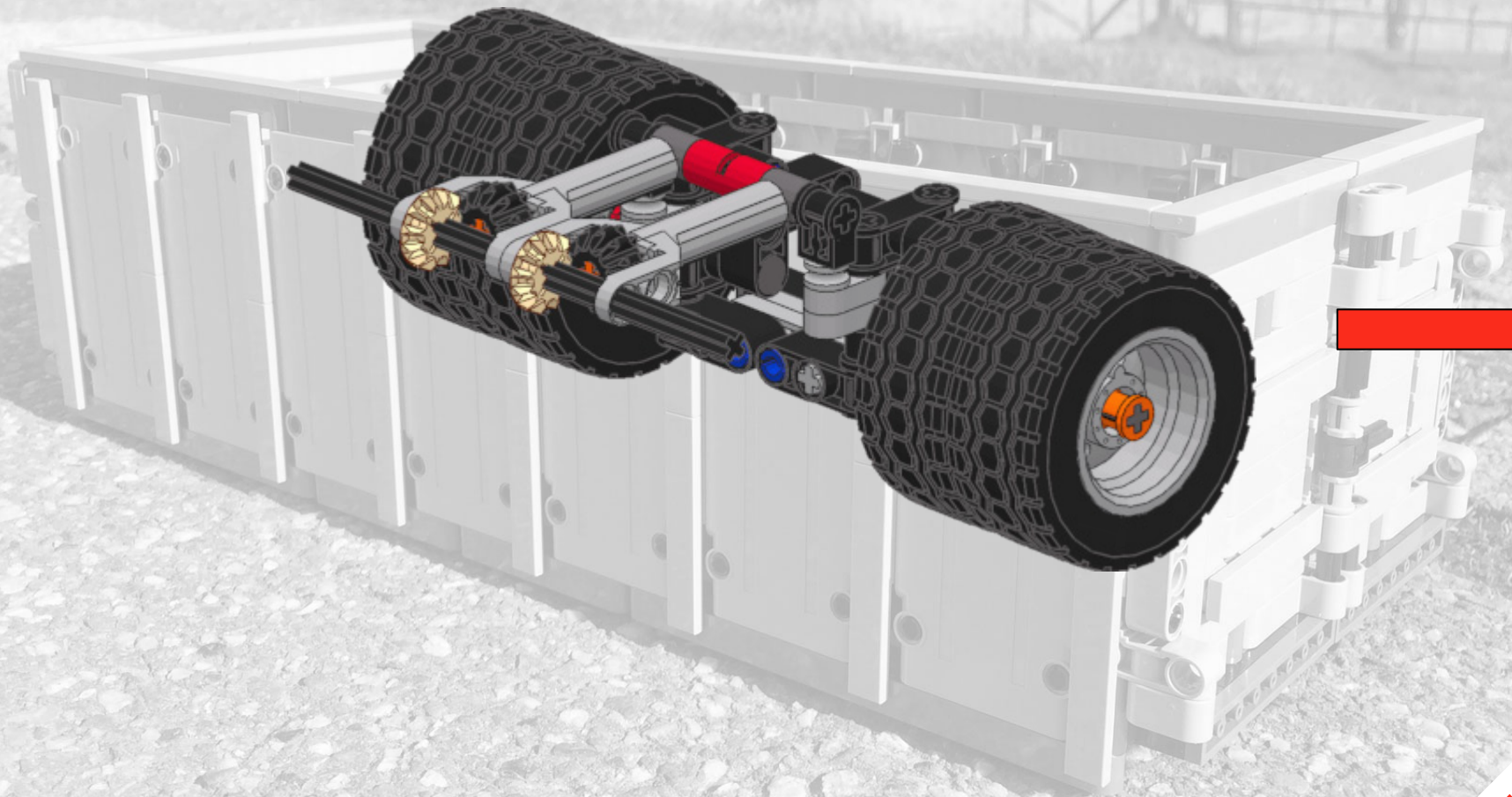
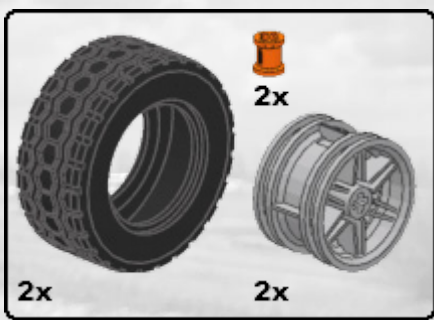


**EXAMPLE**





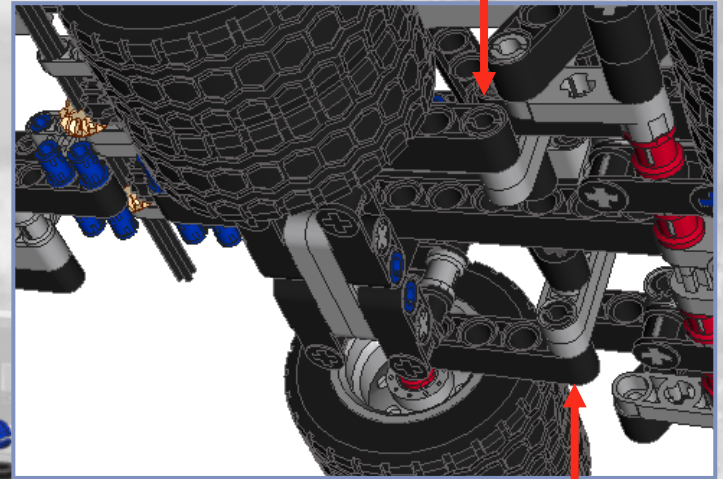
# Last step 13



**EXAMPLE**



# Step 34

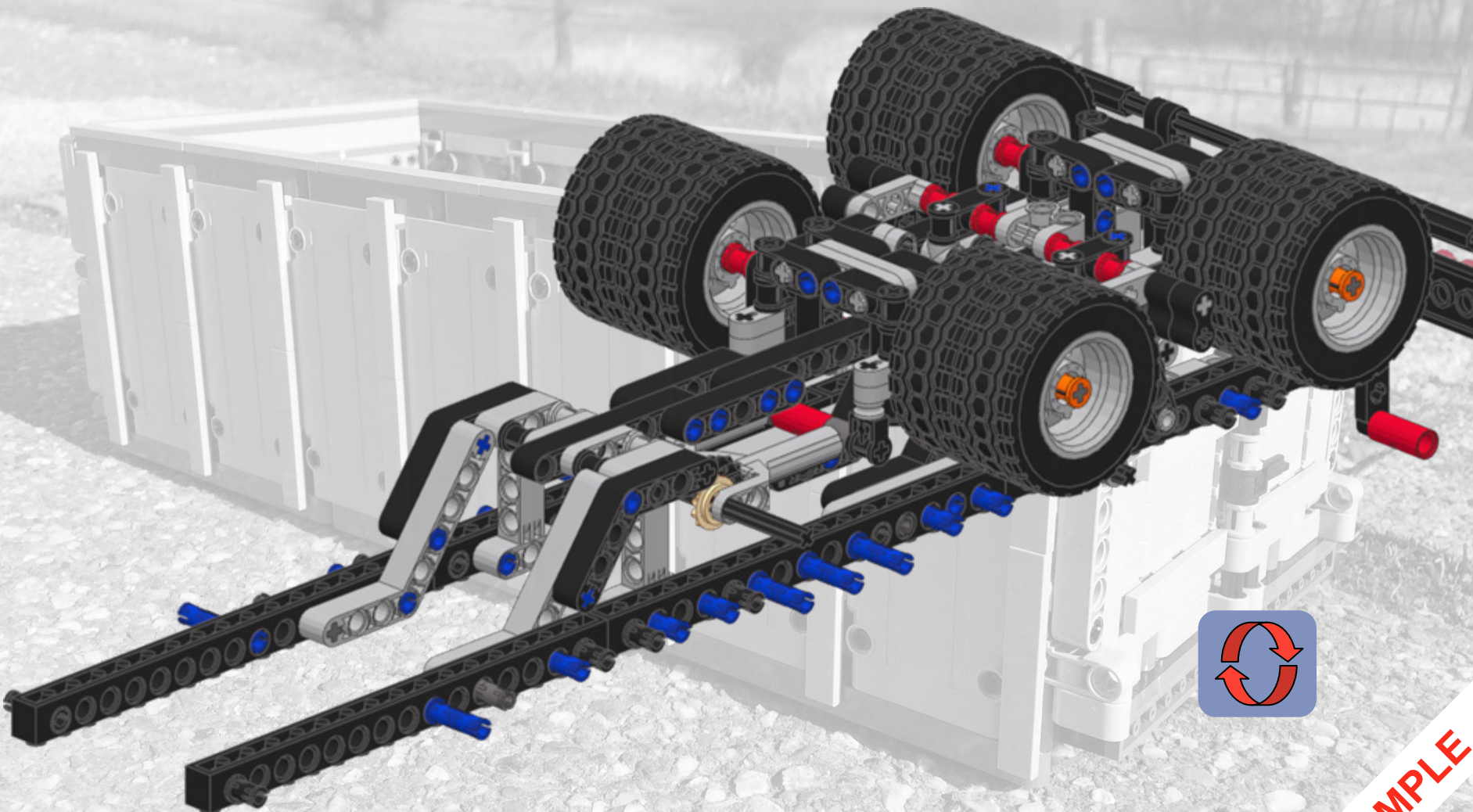


These building instructions are for personal usage and may not commercially used and/or sold. LEGO is a trademark of the LEGO group of companies which does not sponsor, authorize or endorse these building instructions. Copyright design: Han Crielaard, year 2018, [www.designer-han.nl](http://www.designer-han.nl)

**EXAMPLE**



# Step 35

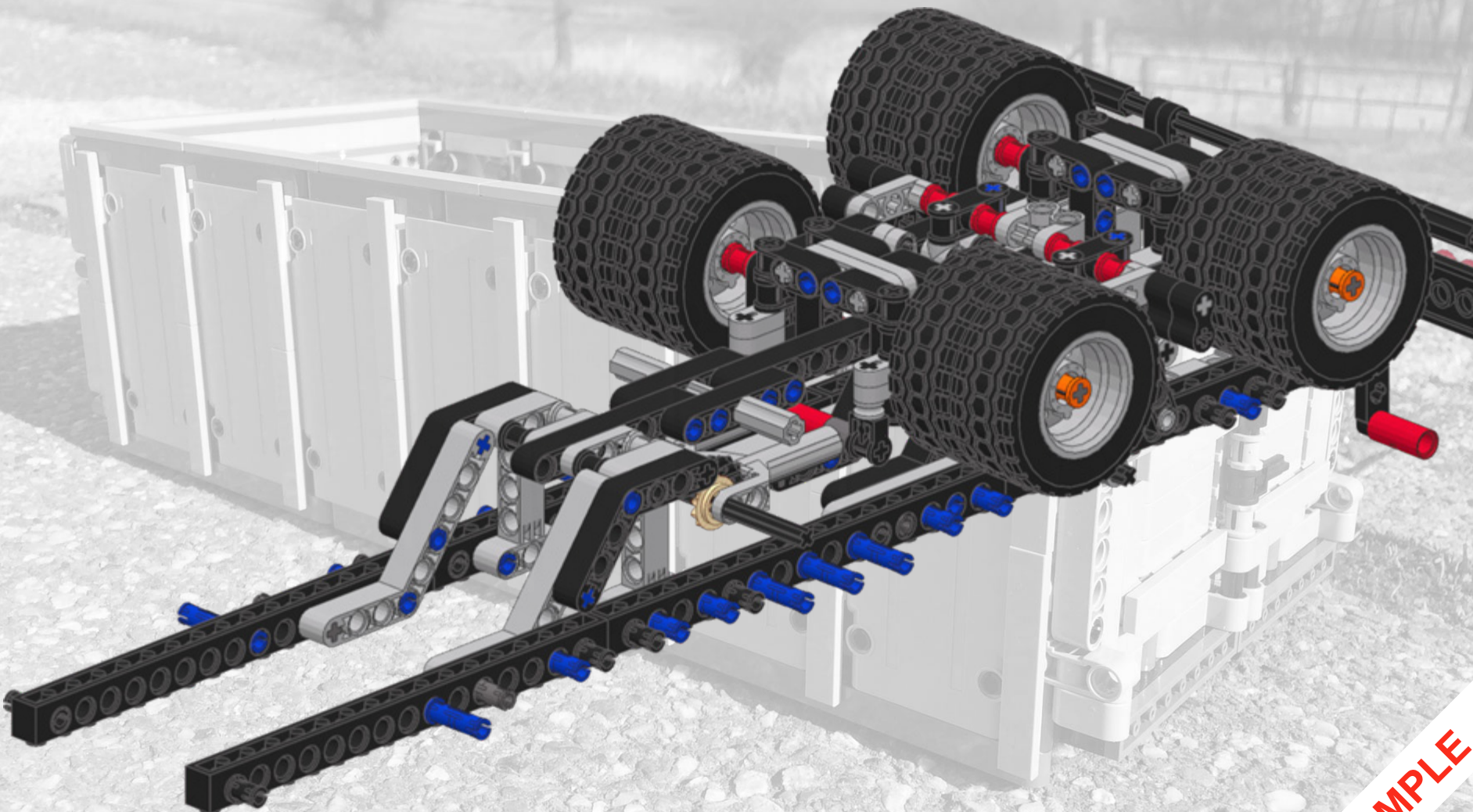


**EXAMPLE**



# Step 36

- 5
- 2x
- 1x



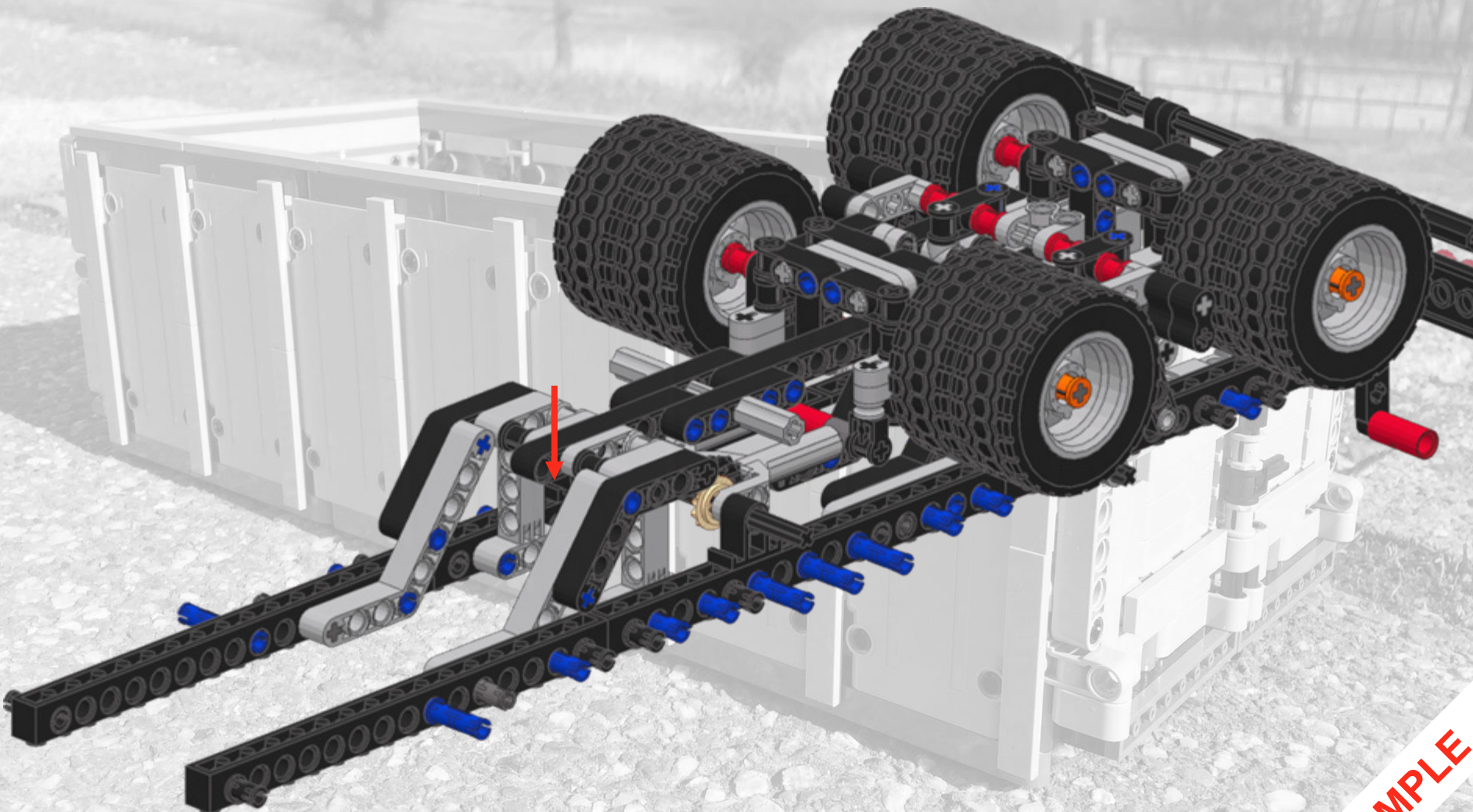
**EXAMPLE**

These building instructions are for personal usage and may not commercially used and/or sold. LEGO is a trademark of the LEGO group of companies which does not sponsor, authorize or endorse these building instructions. Copyright design: Han Crielaard, year 2018, www.designer-han.nl





# Step 37

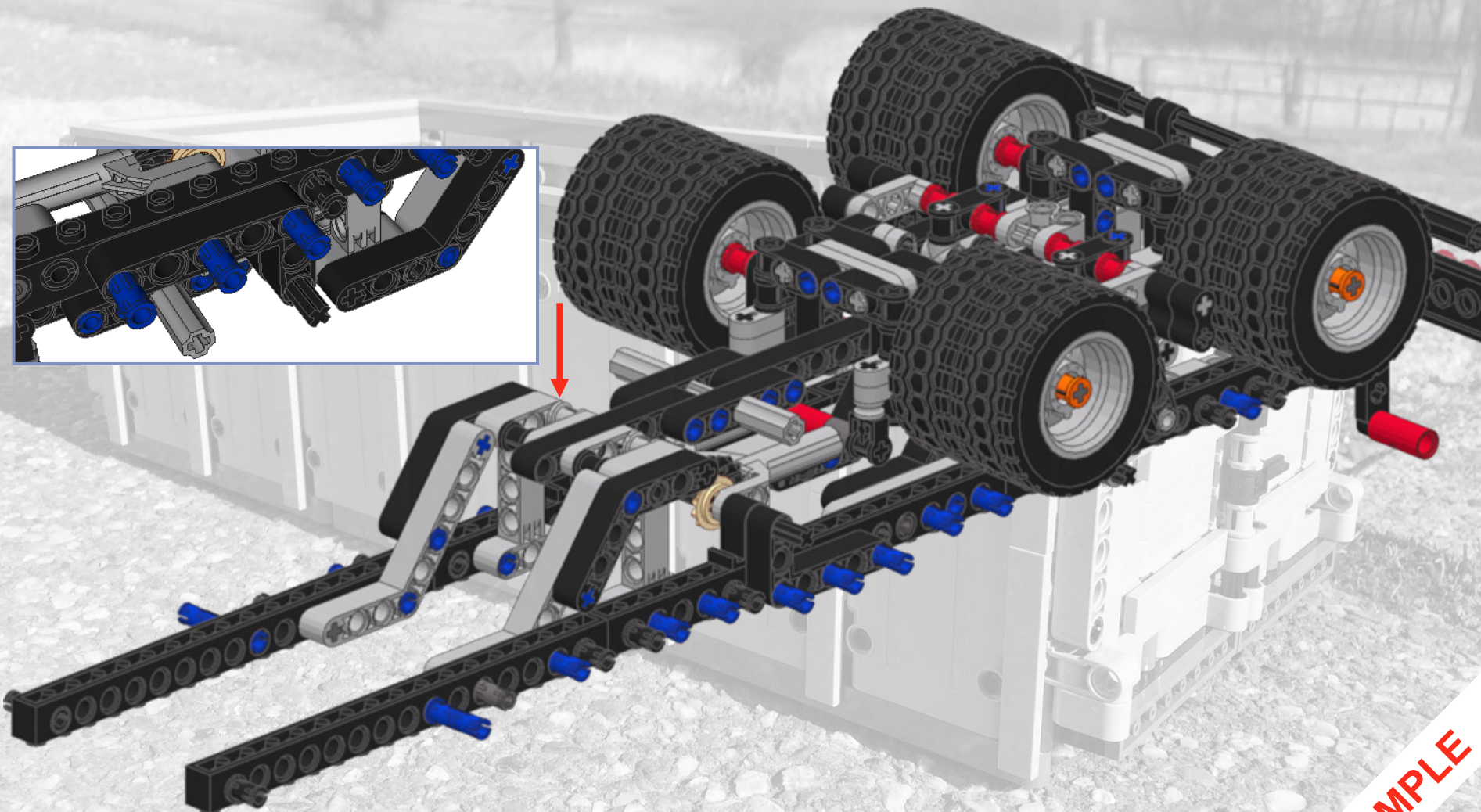
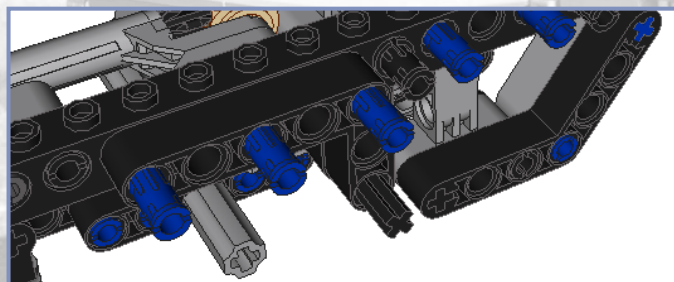
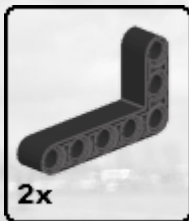


**EXAMPLE**

These building instructions are for personal usage and may not commercially used and/or sold. LEGO is a trademark of the LEGO group of companies which does not sponsor, authorize or endorse these building instructions. Copyright design: Han Crielaard, year 2018, www.designer-han.nl



# Step 38



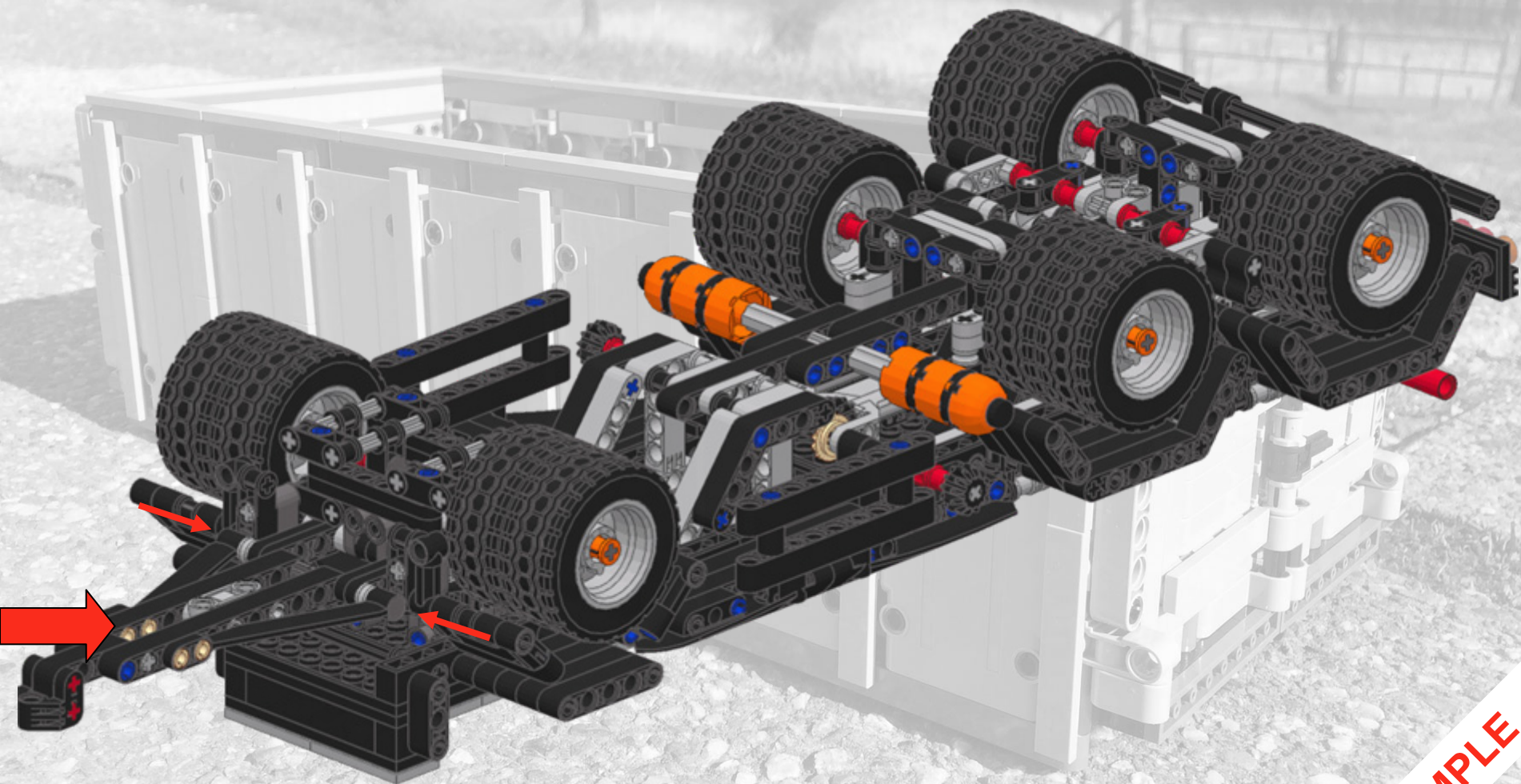
**EXAMPLE**

These building instructions are for personal usage and may not commercially used and/or sold. LEGO is a trademark of the LEGO group of companies which does not sponsor, authorize or endorse these building instructions. Copyright design: Han Crielaard, year 2018, www.designer-han.nl





# Last step 55



**EXAMPLE**

These building instructions are for personal usage and may not commercially used and/or sold. LEGO is a trademark of the LEGO group of companies which does not sponsor, authorize or endorse these building instructions. Copyright design: Han Crielaard, year 2018, www.designer-han.com

