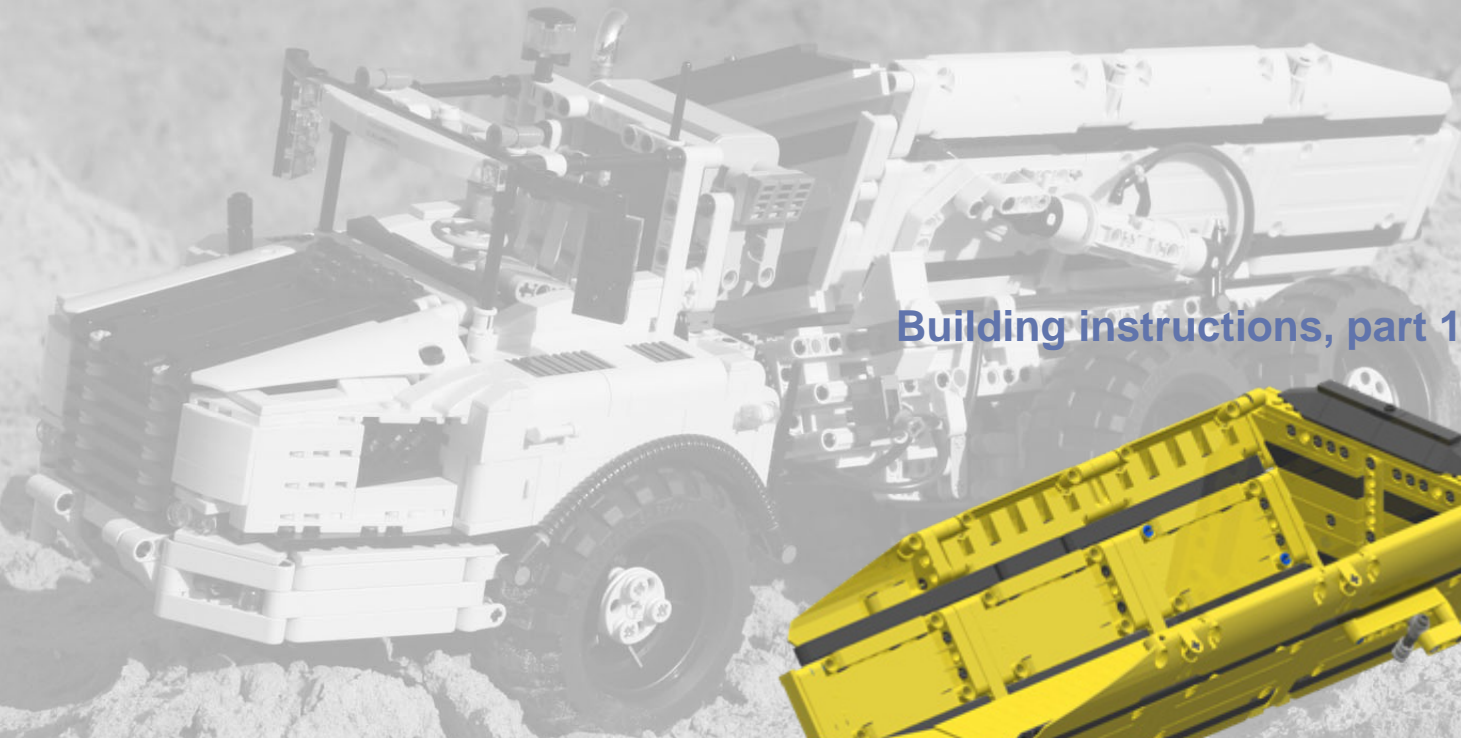




Articulated Hauler 6x6

(dumped)



Building instructions, part 1

EXAMPLE

These building instructions are for personal usage and may not commercially used and/or sold. LEGO is a trademark of the LEGO group of companies which does not sponsor, authorize or endorse these building instructions. Copyright design: Han Crielaard, year 2011, www.designer-han.nl



Information

Articulated Hauler 6x6 Remote Controlled

Dimensions

- | | # Parts | Length | Width | Height | Weight |
|----------------------|---------|--------|-------|--------|--------------------------|
| • Total Combination: | 2148 | 58 cm | 17 cm | 22 cm | 2,4 kg (incl. Batteries) |
- Tractor - Trailer steering: 33 degrees / Rotating Hitch: 360 degrees / Tipping angle: 43 degrees
 - Ground clearance: 4 studs

Technic functions

- 6x6 drive-train, whereof each wheel-unit has it's own differential unit
- Remote controlled driving (PF XL-motor) and steering (PF M-motor)
- 3-point suspension on both rear bogies, mounted with a 3-point bogie beam at both sides of the trailer chassis
- Independent Tractor - Trailer movement by rotating hitch + frame steering
- Steering based on double Linear Actuator mechanism, including working steering wheel in the drivers cabin
- Working V6 engine, including fan
- Manual pneumatic tipping of dump bed by 2 twin-cylinder units
- Headlights equipped with Power Functions LED's

Non-Technic functions

- Swing-down front grill / Engine hood open-close / Maintenance 'doors' at both sides of the Tractor

Appearance details

- Dashboard with coffee machine and coffee cup
- Battery box appearance as air filter unit, including exhaust pipe
- Spotlights, flashlight, horns on cabin roof, steps for cabin access

Building guidelines

The following guidelines will help you to build the model easily

- The model consists of several sub models which should be built first. These sub models can be mounted as 'one unit' on a main model.
Notice that mostly the 'final' main model consists of multiple 'sub main models'.
- The standard way of building LEGO® Technic models includes the usage of so-called 'axes and/or pins' to connect parts or sub models to the model.
Within the instructions, these 'axes and/or pins' mounting axes are mostly already in 'pushed' position.
Keep this in mind when you want to mount individual sub models.
- Connect all the pneumatic tubes directly to the pneumatic cylinders, switches and pumps when you build or mount these parts. Otherwise you might not be able to connect them later on.





EXAMPLE

These building instructions are for personal usage and may not commercially used and/or sold. LEGO is a trademark of the LEGO group of companies which does not sponsor, authorize or endorse these building instructions. Copyright design: Han Crielaard, year 2011, www.designer-han.nl





EXAMPLE

These building instructions are for personal usage and may not commercially used and/or sold. LEGO is a trademark of the LEGO group of companies which does not sponsor, authorize or endorse these building instructions. Copyright design: Han Crielaard, year 2011, www.designer-han.nl

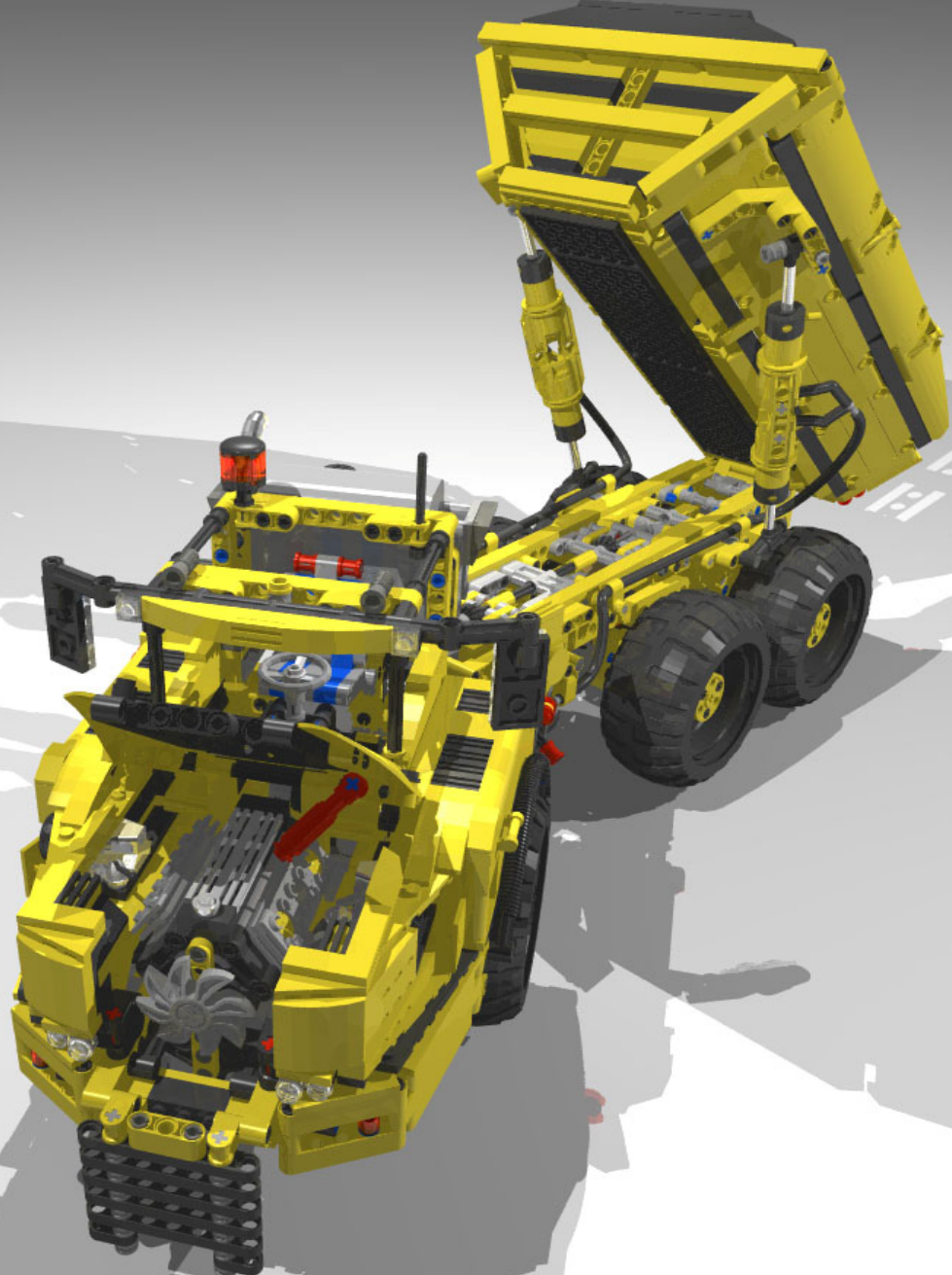




These building instructions are for personal usage and may not commercially used and/or sold. LEGO is a trademark of the LEGO group of companies which does not sponsor, authorize or endorse these building instructions. Copyright design: Han Crielaard, year 2011, www.designer-han.nl

EXAMPLE





EXAMPLE

These building instructions are for personal usage and may not commercially used and/or sold. LEGO is a trademark of the LEGO group of companies, which does not sponsor, authorize or endorse these building instructions. Copyright design: Han Crielaard, year 2011, www.designer-han.nl



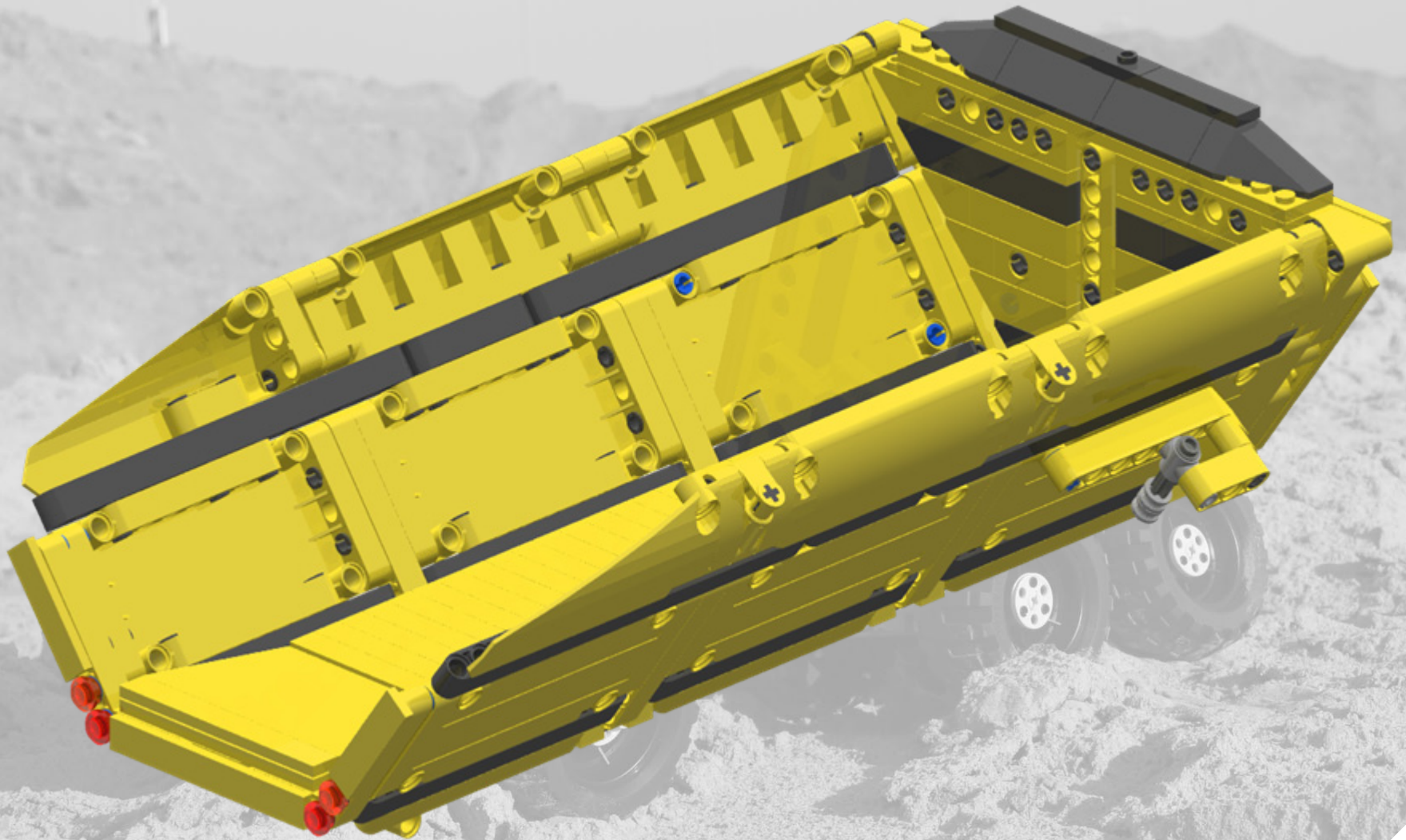


EXAMPLE

These building instructions are for personal usage and may not commercially used and/or sold. LEGO is a trademark of the LEGO group of companies which does not sponsor, authorize or endorse these building instructions. Copyright design: Han Crielaard, year 2011, www.designer-han.nl



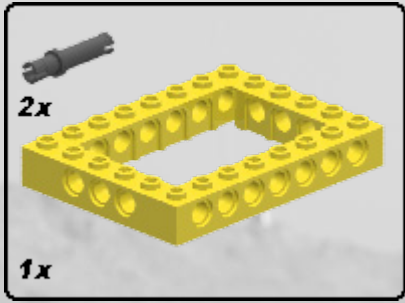
Main model: Dumpbed



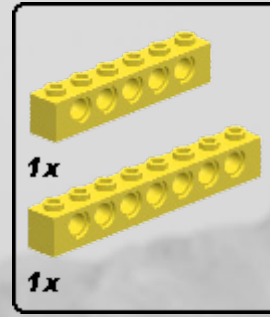
EXAMPLE

These building instructions are for personal usage and may not commercially used and/or sold. LEGO is a trademark of the LEGO group of companies which does not sponsor, authorize or endorse these building instructions. Copyright design: Han Crielaard, year 2011, www.designer-han.nl

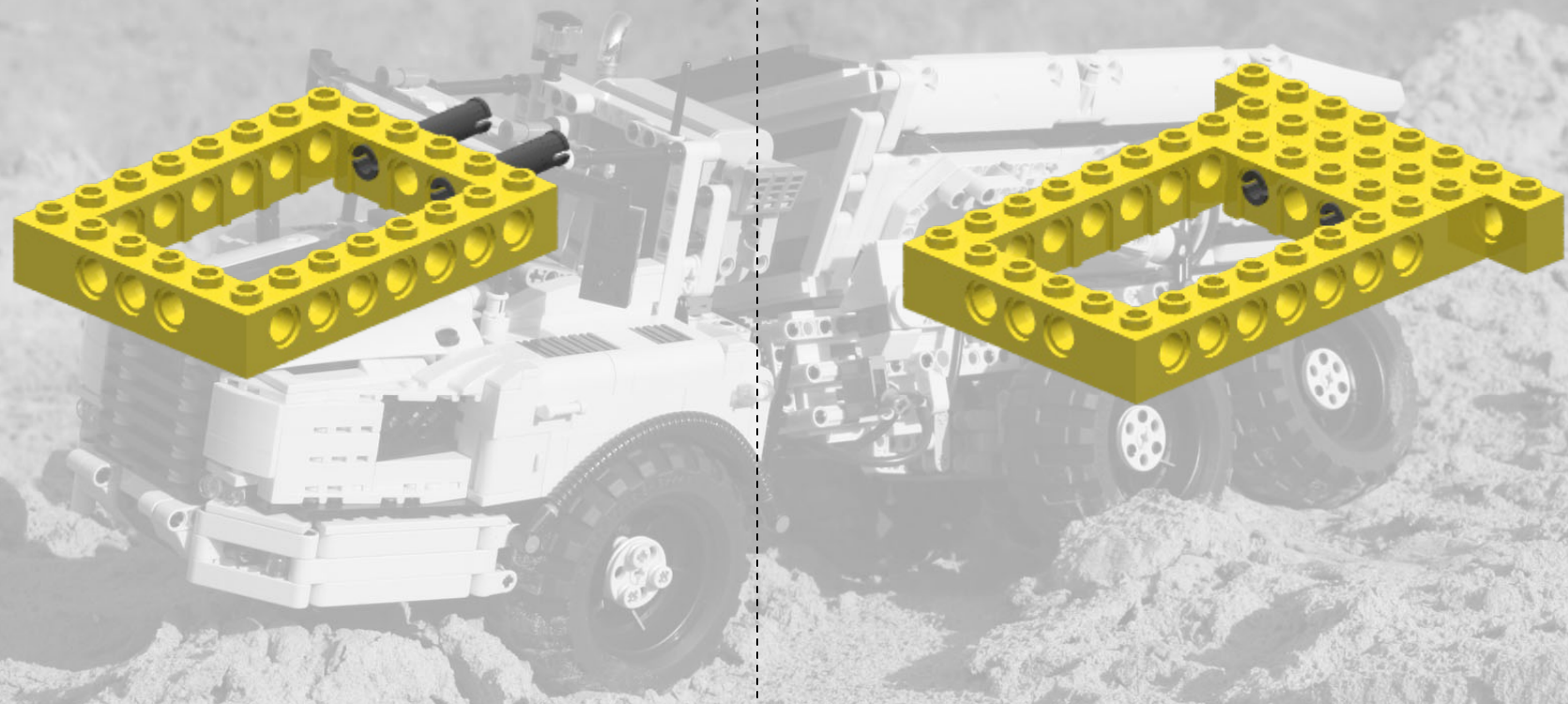




Step 1

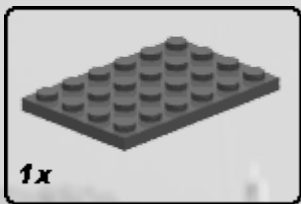


Step 2

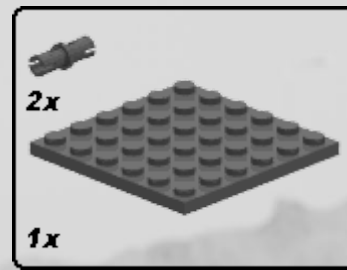


These building instructions are for personal usage and may not commercially used and/or sold. LEGO is a trademark of the LEGO group of companies which does not sponsor, authorize or endorse these building instructions. Copyright design: Han Crielaard, year 2011, www.designer-han.nl

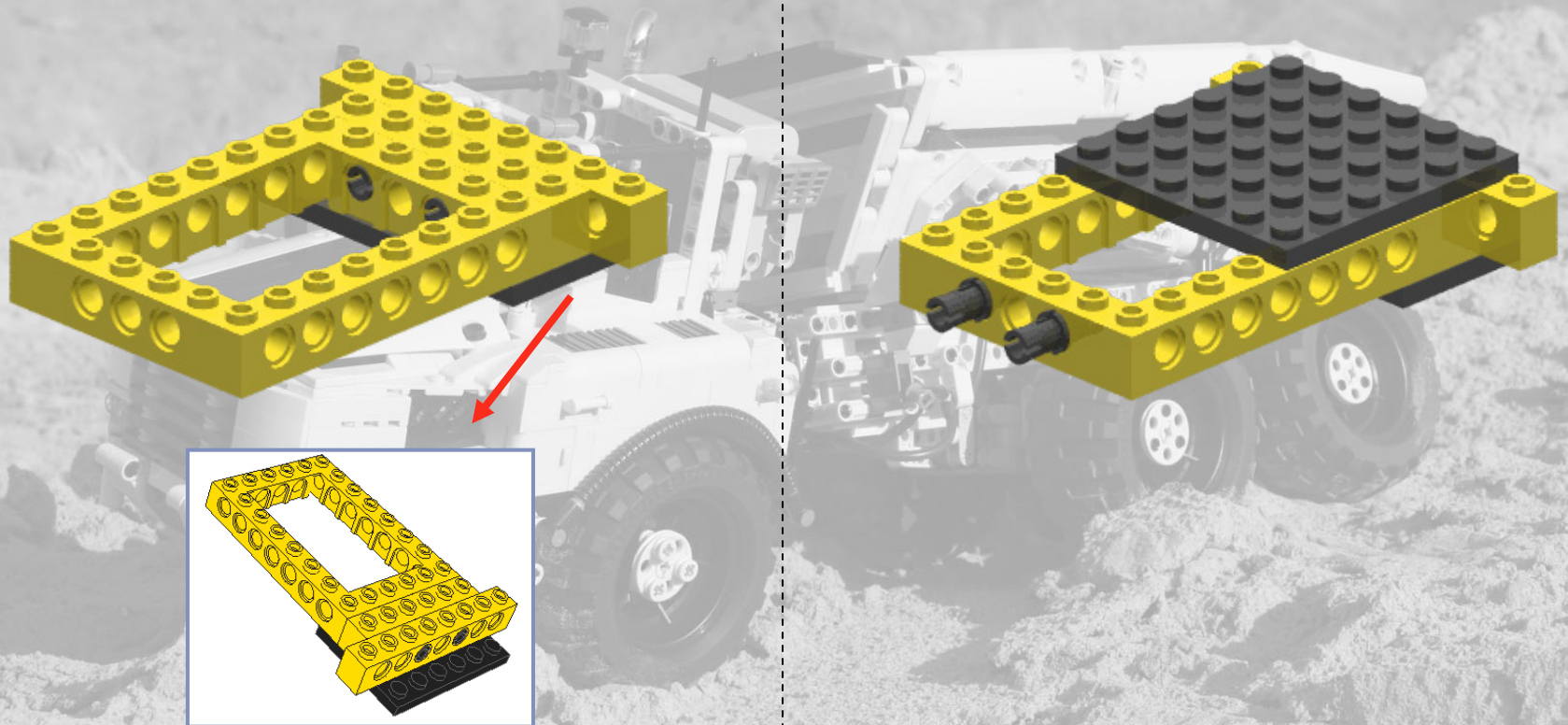
EXAMPLE

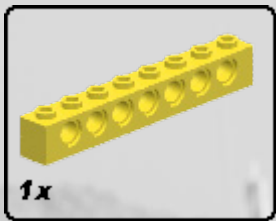


Step 3



Step 4

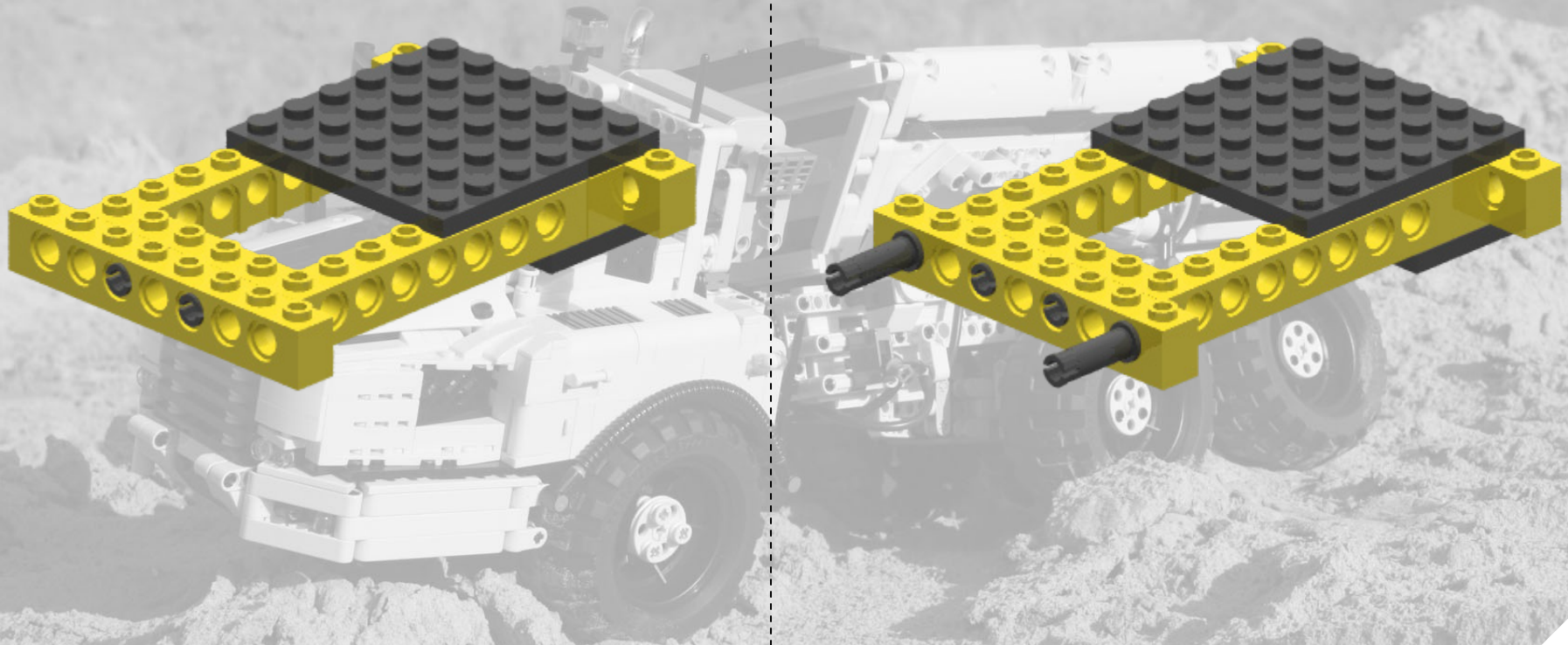




Step 5



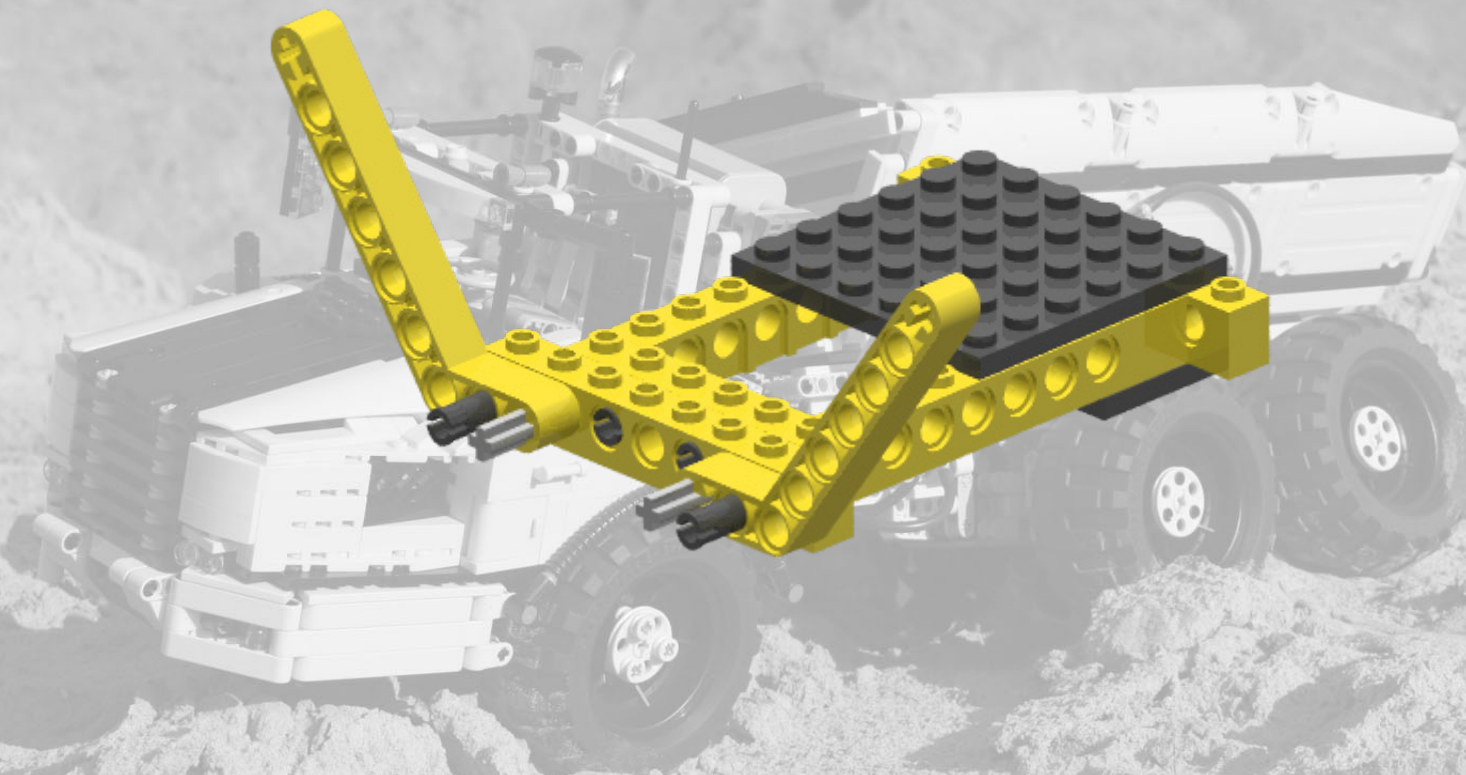
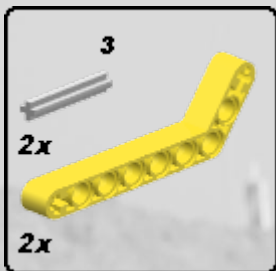
Step 6



EXAMPLE



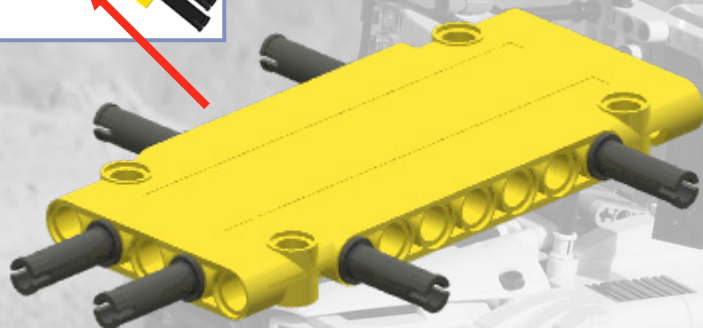
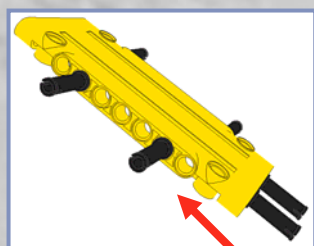
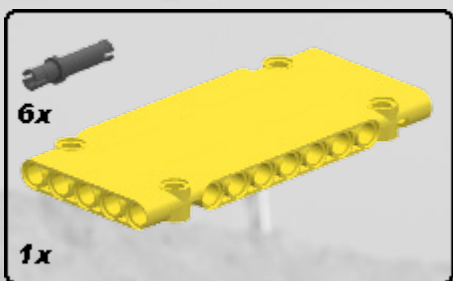
Step 7



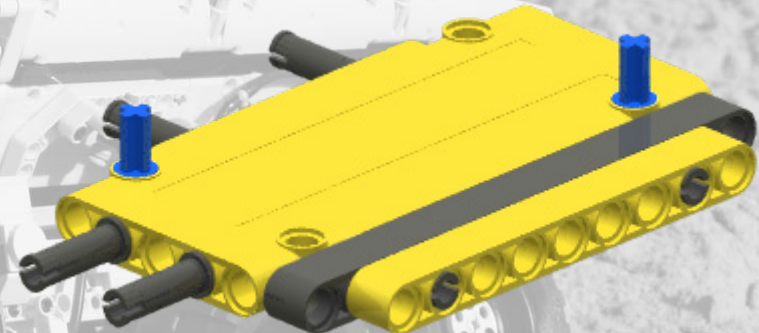
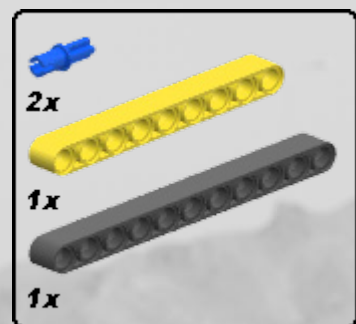
EXAMPLE



Step 1



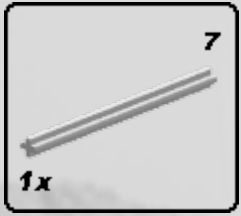
Step 2



EXAMPLE



Step 3

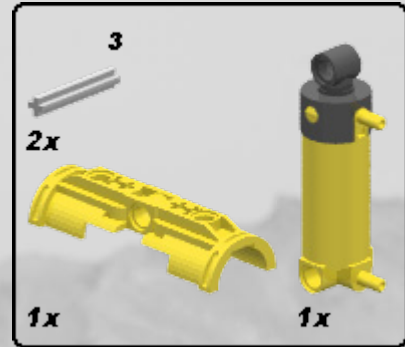


EXAMPLE

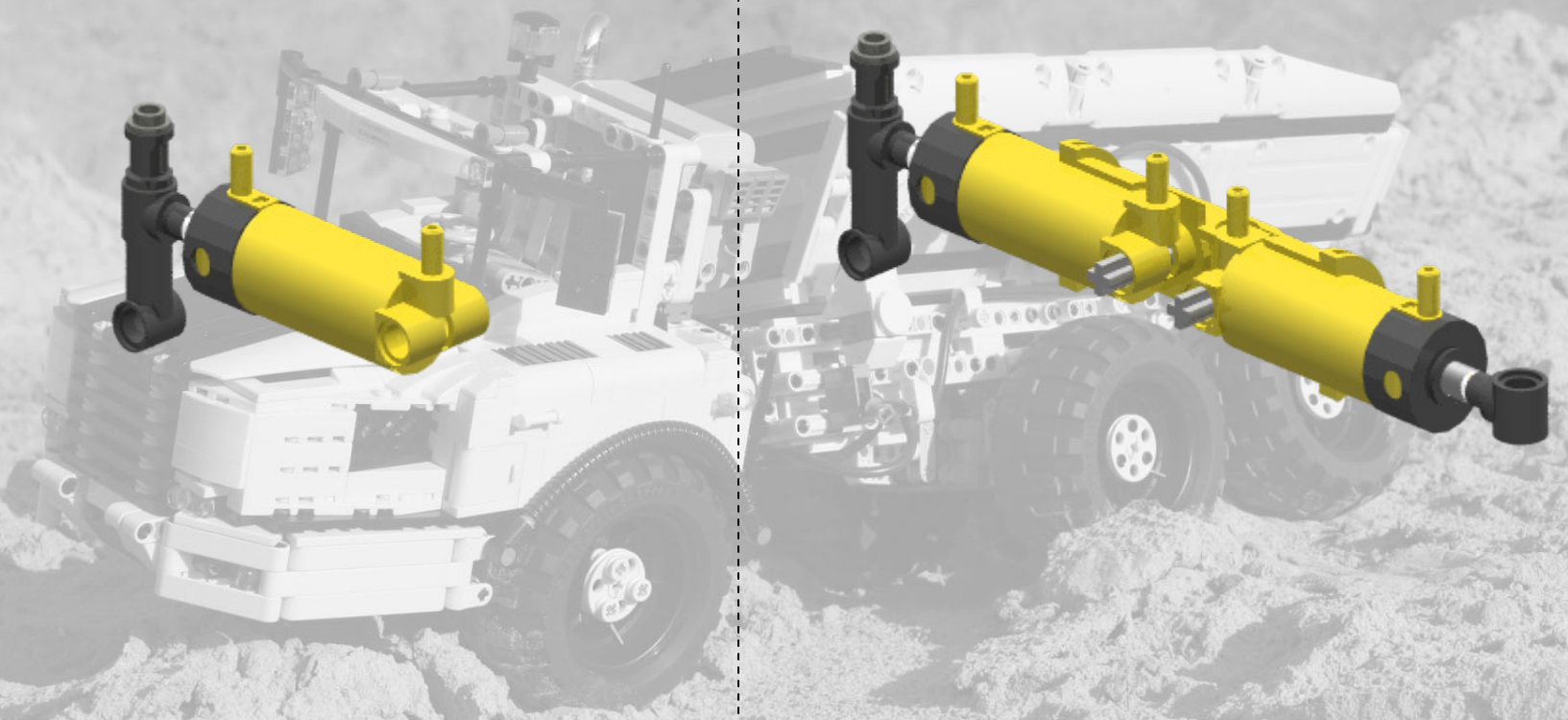




Step 1

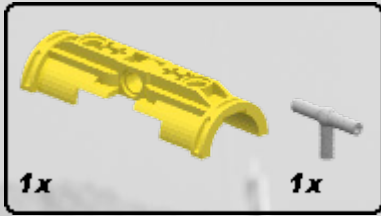


Step 2



These building instructions are for personal usage and may not commercially used and/or sold. LEGO is a trademark of the LEGO group of companies which does not sponsor, authorize or endorse these building instructions. Copyright design: Han Crielaard, year 2011, www.designer-han.nl

EXAMPLE

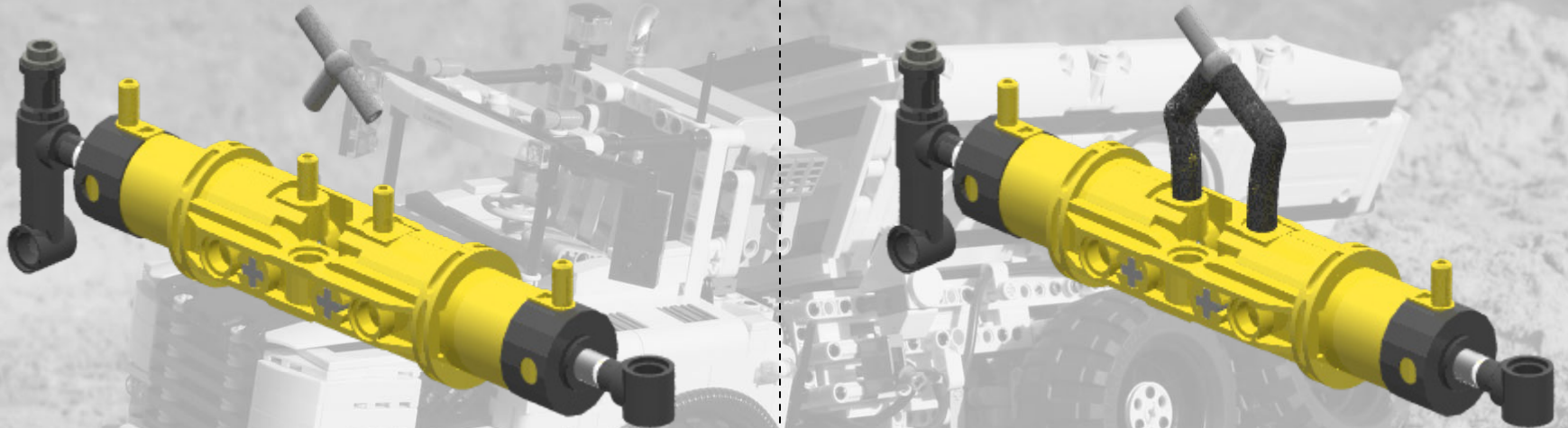


Step 3

Pneumatic tubes
Black:
2x 1,5 cm

Last step 4

Rebuild 2x



EXAMPLE

Pneumatic tubes

Black:

1x 29 cm

1x 43 cm

Step 4

43 cm

29 cm

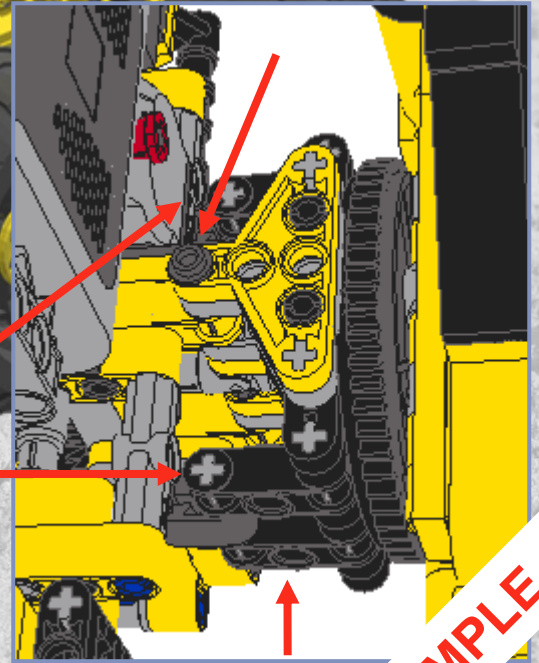
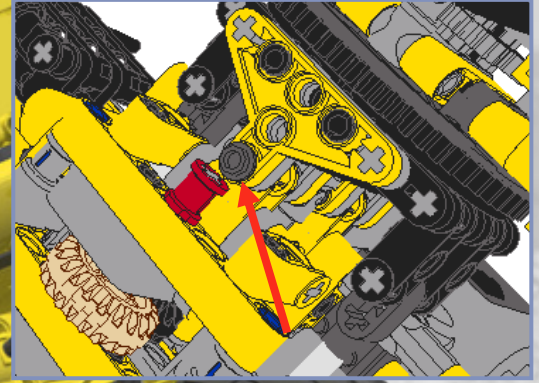
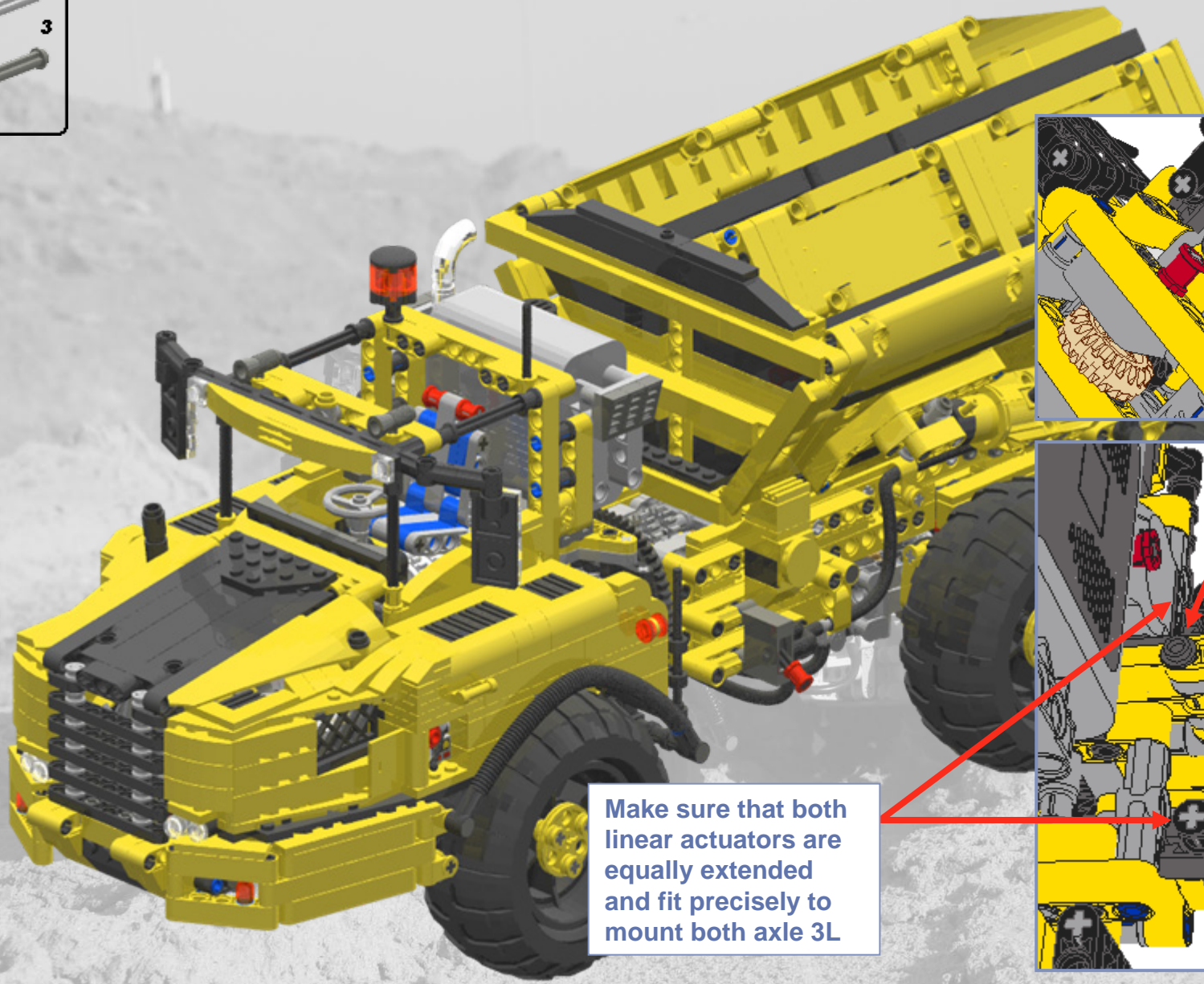
To mount cylinders, temporary remove:

- a) axle 3 with stud
- b) axle 4 with stop

EXAMPLE

Last step 5

- 3
- 2x
- 3
- 2x



Make sure that both linear actuators are equally extended and fit precisely to mount both axle 3L

EXAMPLE

